



**T&S BRASS AND BRONZE WORKS, INC.**  
 2 Saddleback Cove / P.O. Box 1088  
 Travelers Rest, SC 29690

Model No.  
**SL-5705-08CRWH4**

Item No.

Travelers Rest, SC: 800-476-4103 • Simi Valley, CA: 800-423-0150 • Fax: 864-834-3518 • www.tsbrass.com

This Space for Architect/Engineer Approval

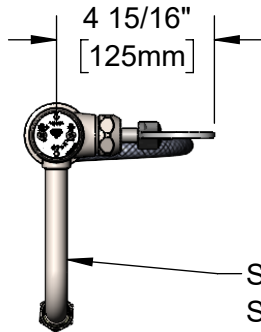
Job Name \_\_\_\_\_ Date \_\_\_\_\_

Model Specified \_\_\_\_\_ Quantity \_\_\_\_\_

Customer/Wholesaler \_\_\_\_\_

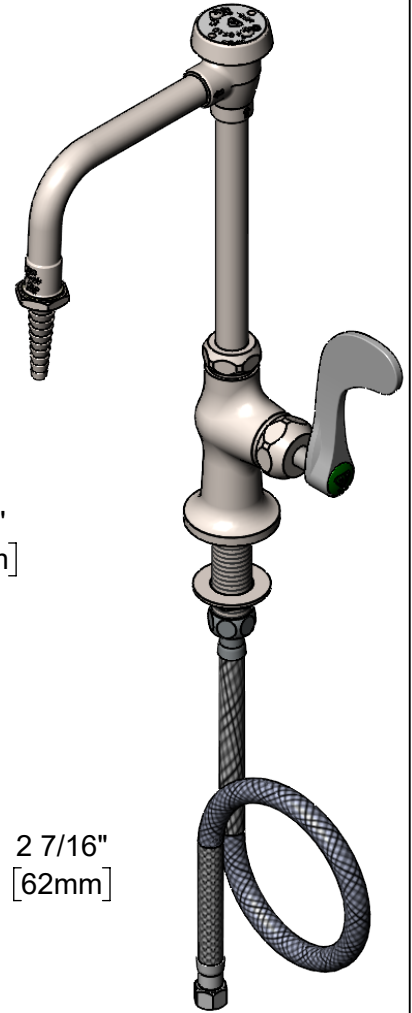
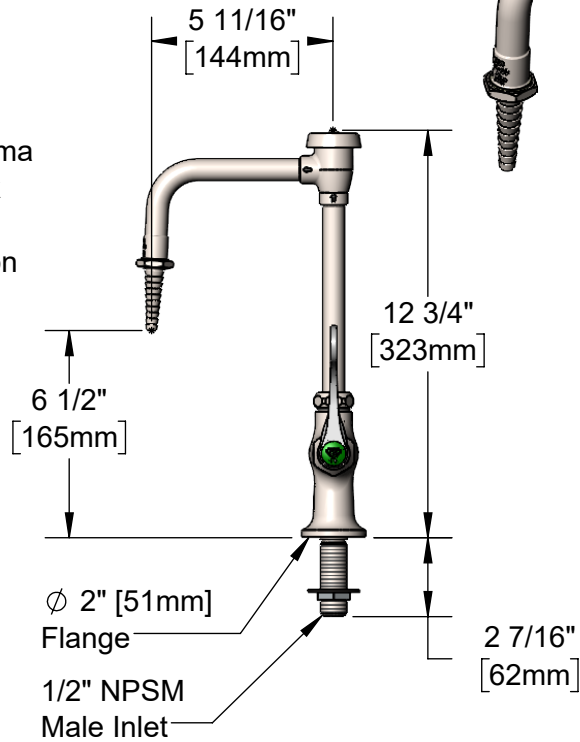
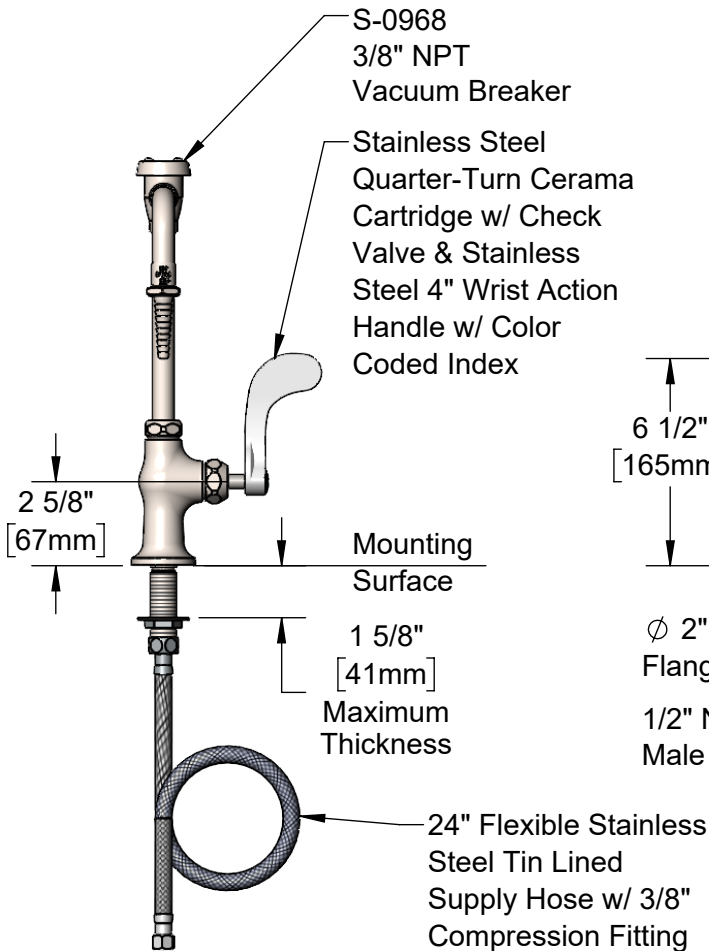
Contractor \_\_\_\_\_

Architect/Engineer \_\_\_\_\_



**EVERSTEEL**

Swivel Vacuum Breaker Nozzle w/  
 Serrated Tip Outlet & 0.5 GPM Flow  
 Control. Converts to Rigid w/ 014200-45  
 Lock Washer (Included).



Rough-In Requirement:  
 Ø 1 1/2" [38mm] Mounting Hole

Product Specifications:  
 Single Hole Stainless Steel Single Temperature Deck Mount Faucet,  
 Quarter-Turn Cerama Cartridge w/ Check Valve, 4" Wrist Action Handle,  
 Swivel Vacuum Breaker Nozzle, Serrated Tip w/ 0.5 GPM Flow Control & 24"  
 Flexible Stainless Steel Tin Lined Braided Supply Hose w/ 3/8"  
 Compression Inlet

Product Compliance:  
 ASME A112.18.1 / CSA B125.1  
 NSF 61 Exempt (Non-Potable)  
 NSF 372 (Low Lead Content)  
 ANSI A117.1 (ADA)  
 ASSE 1001 (VB)



# T&S BRASS AND BRONZE WORKS, INC.

2 Saddleback Cove / P.O. Box 1088  
Travelers Rest, SC 29690

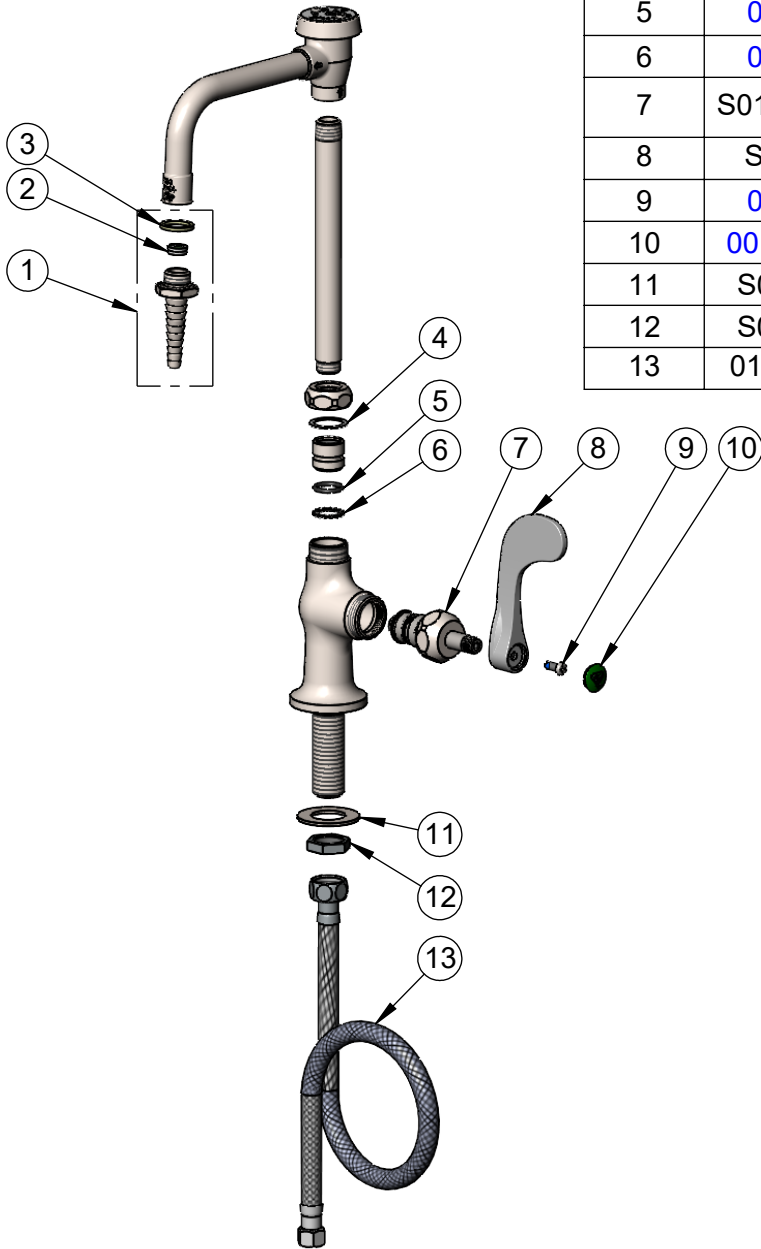
Model No.

**SL-5705-08CRWH4**

Item No.

Travelers Rest, SC: 800-476-4103 • Simi Valley, CA: 800-423-0150 • Fax: 864-834-3518 • www.tsbrass.com

| ITEM NO. | SALES NO.    | DESCRIPTION   |
|----------|--------------|---|
| 1        | S-0198-FD05  | Stainless Steel Serrated Tip w/ 0.5 GPM Flow Disc & Washer        |
| 2        | FD05         | Flow Disc, 0.5 GPM [ 1.9 L/min.] (Lime)                           |
| 3        | 001051-45    | Washer  |
| 4        | 009538-45    | Swivel Washer   |
| 5        | 001065-45    | O-Ring  |
| 6        | 014200-45    | Star Washer, Anti-Rotation  |
| 7        | S012394-30NS | Stainless Steel Quarter-Turn Cerama Cartridge w/ Check Valve, RTC |
| 8        | S-WH4-NS     | Wrist Action Handle - New Style                                   |
| 9        | 000925-45    | Lab Handle Screw  |
| 10       | 001191-45NS  | Green "CW" Lab Button Index                                       |
| 11       | S000999-20   | Stainless Steel Lock Washer                                       |
| 12       | S002954-20   | Shank Lock Nut  |
| 13       | 017420-45TL  | 24" Flexible Supply Hose, Tin Lined                               |



**Product Specifications:**

Single Hole Stainless Steel Single Temperature Deck Mount Faucet, Quarter-Turn Cerama Cartridge w/ Check Valve, 4" Wrist Action Handle, Swivel Vacuum Breaker Nozzle, Serrated Tip w/ 0.5 GPM Flow Control & 24" Flexible Stainless Steel Tin Lined Braided Supply Hose w/ 3/8" Compression Inlet

**Product Compliance:**

ASME A112.18.1 / CSA B125.1  
NSF 61 Exempt (Non-Potable)  
NSF 372 (Low Lead Content)  
ANSI A117.1 (ADA)  
ASSE 1001 (VB)