



T&S BRASS AND BRONZE WORKS, INC.
 2 Saddleback Cove / P.O. Box 1088
 Travelers Rest, SC 29690

Model No.
SL-5705-01CR

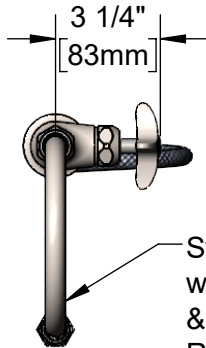
Item No.

Travelers Rest, SC: 800-476-4103 • Simi Valley, CA: 800-423-0150 • Fax: 864-834-3518 • www.tsbrass.com

This Space for Architect/Engineer Approval

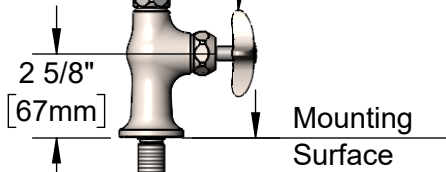
Job Name _____ Date _____
 Model Specified _____ Quantity _____
 Customer/Wholesaler _____
 Contractor _____
 Architect/Engineer _____

EVERSTEEL



Swivel/Rigid Gooseneck w/ S-0198 Serrated Tip & Washer. Converts to Rigid w/ 014200-45 Lock Washer (Included).

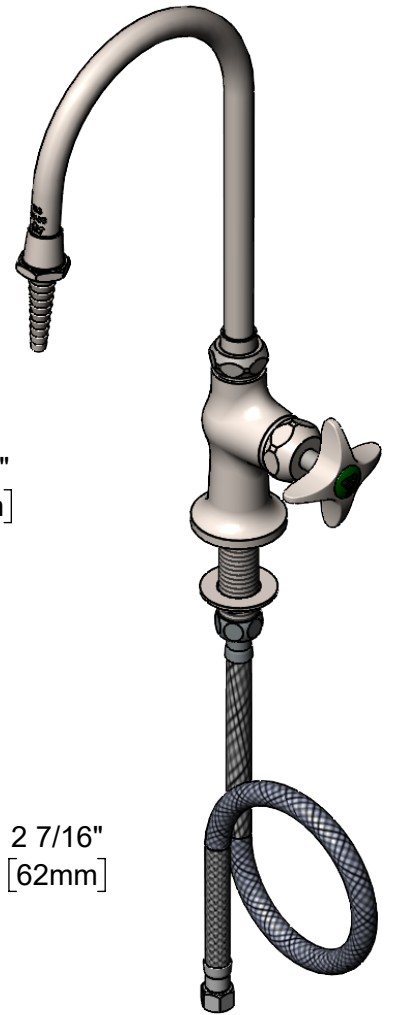
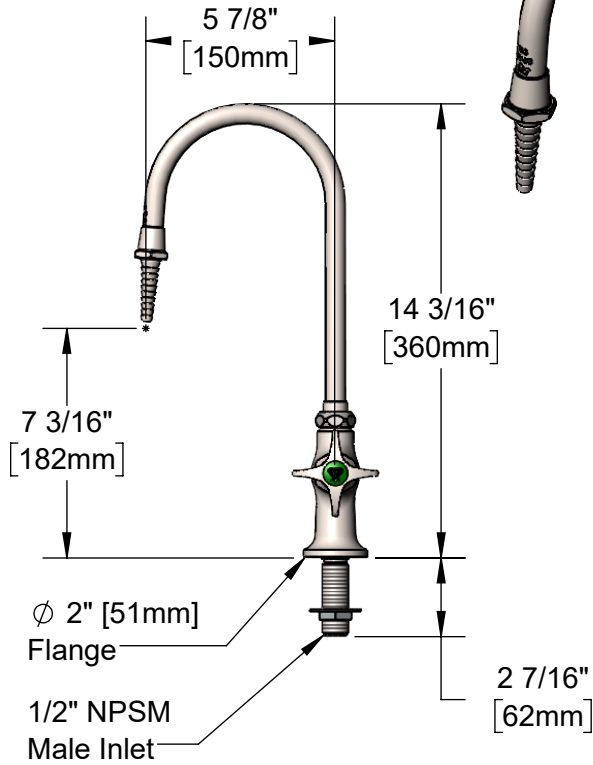
Stainless Steel Quarter-Turn Cerama Cartridge w/ Check Valve & Stainless Steel 4-Arm Handle w/ Color Coded Index



Mounting Surface

1 5/8" [41mm] Maximum Thickness

24" Flexible Stainless Steel Tin Lined Supply Hose w/ 3/8" Compression Fitting



Rough-In Requirement:
 Ø 1 1/2" [38mm] Mounting Hole

Product Specifications:
 Single Hole Stainless Steel Single Temperature Deck Mount Faucet, Quarter-Turn Cerama Cartridge w/ Check Valve, 4-Arm Handle, Swivel/Rigid Gooseneck w/ Serrated Tip Outlet, and 24" Flexible Stainless Steel Tin Lined Braided Supply Hose w/ 3/8" Compression Inlet

Product Compliance:
 ASME A112.18.1 / CSA B125.1
 NSF 61 Exempt (Non-Potable)
 NSF 372 (Low Lead Content)
 ANSI A117.1 (ADA)



T&S BRASS AND BRONZE WORKS, INC.

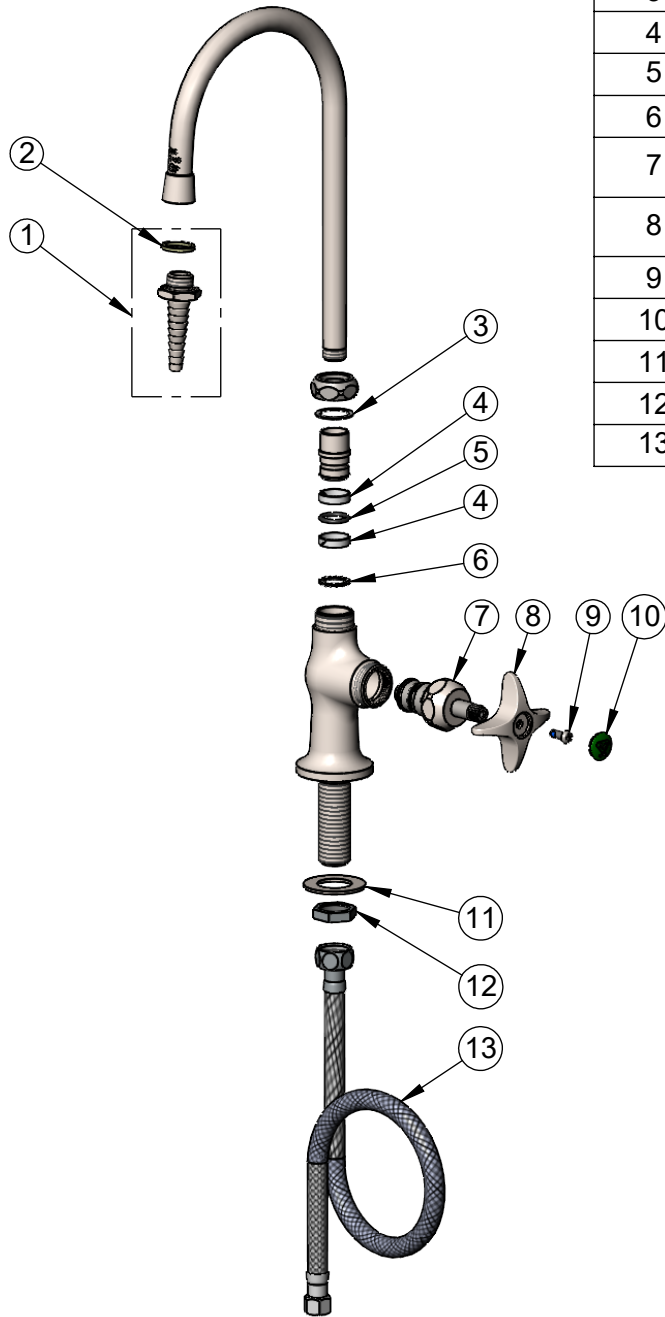
2 Saddleback Cove / P.O. Box 1088
Travelers Rest, SC 29690

Model No.

SL-5705-01CR

Item No.

Travelers Rest, SC: 800-476-4103 • Simi Valley, CA: 800-423-0150 • Fax: 864-834-3518 • www.tsbrass.com



ITEM NO.	SALES NO.	DESCRIPTION
1	S-0198	Serrated Tip w/ Washer, Stainless Steel
2	001051-45	Washer
3	009538-45	Swivel Washer
4	021087-45	Swivel Sleeves (2)
5	001065-45	O-Ring
6	014200-45	Star Washer, Anti-Rotation
7	S012394-30NS	Stainless Steel Quarter-Turn Cerama Cartridge w/ Check Valve, RTC
8	S002521-30NS	4-Arm Handle (New Style), Stainless Steel
9	000925-45	Lab Handle Screw
10	001191-45NS	Green "CW" Lab Button Index
11	S000999-20	Stainless Steel Lock Washer
12	S002954-20	Shank Lock Nut
13	017420-45TL	24" Flexible Supply Hose, Tin Lined

Product Specifications:

Single Hole Stainless Steel Single Temperature Deck Mount Faucet, Quarter-Turn Cerama Cartridge w/ Check Valve, 4-Arm Handle, Swivel/Rigid Gooseneck w/ Serrated Tip Outlet, and 24" Flexible Stainless Steel Tin Lined Braided Supply Hose w/ 3/8" Compression Inlet

Product Compliance:

ASME A112.18.1 / CSA B125.1
NSF 61 Exempt (Non-Potable)
NSF 372 (Low Lead Content)
ANSI A117.1 (ADA)