



T&S BRASS AND BRONZE WORKS, INC.
 2 Saddleback Cove / P.O. Box 1088
 Travelers Rest, SC 29690

Model No.
SL-5705-01CRWH4

Item No.

Travelers Rest, SC: 800-476-4103 • Simi Valley, CA: 800-423-0150 • Fax: 864-834-3518 • www.tsbrass.com

This Space for Architect/Engineer Approval

Job Name _____ Date _____

Model Specified _____ Quantity _____

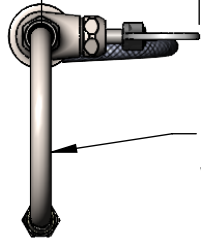
Customer/Wholesaler _____

Contractor _____

Architect/Engineer _____

EVERSTEEL

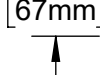
4 15/16"
 [125mm]



Swivel/Rigid Gooseneck w/ S-0198 Serrated Tip & Washer. Converts to Rigid w/ 014200-45 Lock Washer (Included).

Stainless Steel Quarter-Turn Cerama Cartridge w/ Check Valve & Stainless Steel 4" Wrist Action Handle w/ Color Coded Index

2 5/8"
 [67mm]



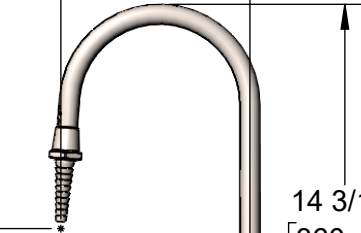
Mounting Surface

1 5/8"
 [41mm]

Maximum Thickness

24" Flexible Stainless Steel Tin Lined Supply Hose w/ 3/8" Compression Fitting

5 7/8"
 [150mm]



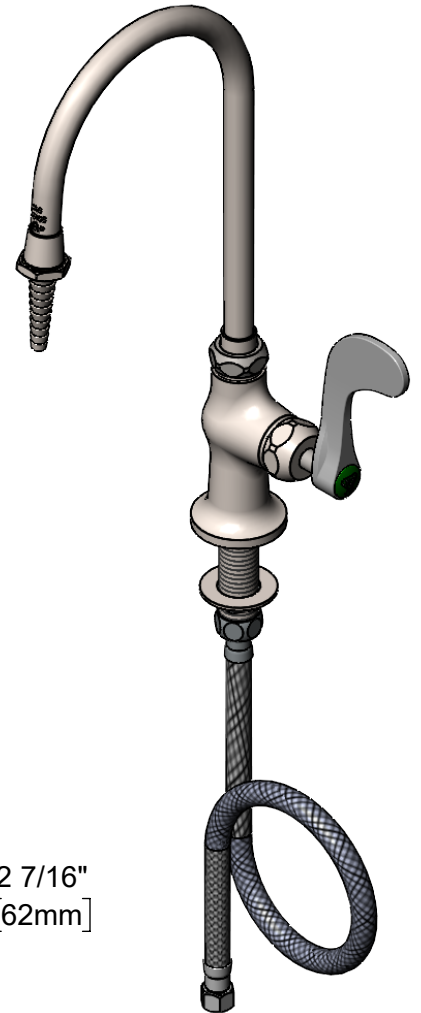
7 3/16"
 [182mm]

Ø 2" [51mm] Flange

1/2" NPSM Male Inlet

14 3/16"
 [360mm]

2 7/16"
 [62mm]



Rough-In Requirement:

Ø 1 1/2" [38mm] Mounting Hole

Product Specifications:

Single Hole Stainless Steel Single Temperature Deck Mount Faucet, Quarter-Turn Cerama Cartridge w/ Check Valve, 4" Wrist Action Handle, Swivel/Rigid Gooseneck w/ Serrated Tip Outlet & 24" Flexible Stainless Steel Tin Lined Braided Supply Hose w/ 3/8" Compression Inlet

Product Compliance:

ASME A112.18.1 / CSA B125.1
 NSF 61 Exempt (Non-Potable)
 NSF 372 (Low Lead Content)
 ANSI A117.1 (ADA)



T&S BRASS AND BRONZE WORKS, INC.

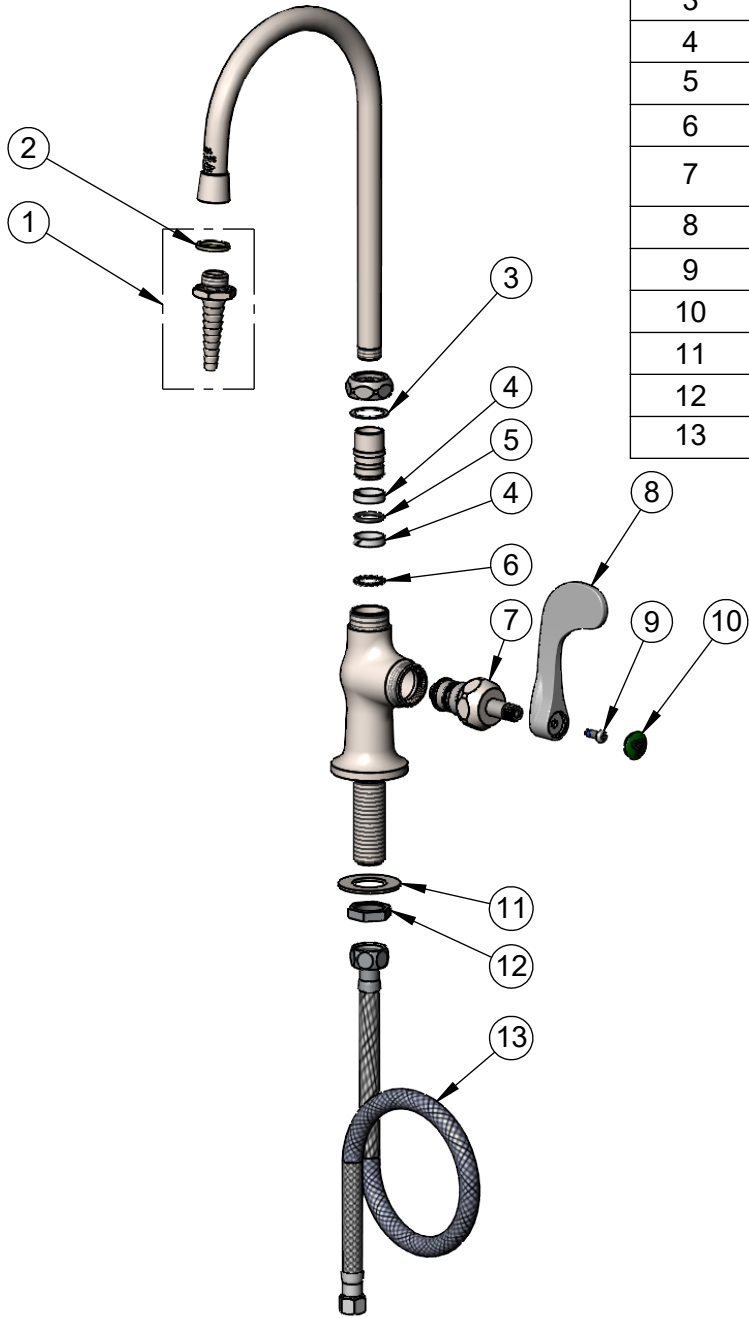
2 Saddleback Cove / P.O. Box 1088
Travelers Rest, SC 29690

Model No.

SL-5705-01CRWH4

Item No.

Travelers Rest, SC: 800-476-4103 • Simi Valley, CA: 800-423-0150 • Fax: 864-834-3518 • www.tsbrass.com



ITEM NO.	SALES NO.	DESCRIPTION
1	S-0198	Serrated Tip w/ Washer, Stainless Steel
2	001051-45	Washer
3	009538-45	Swivel Washer
4	021087-45	Swivel Sleeves (2)
5	001065-45	O-Ring
6	014200-45	Star Washer, Anti-Rotation
7	S012394-30NS	Stainless Steel Quarter-Turn Cerama Cartridge w/ Check Valve, RTC
8	S-WH4-NS	Wrist Action Handle - New Style
9	000925-45	Lab Handle Screw
10	001191-45NS	Green "CW" Lab Button Index
11	S000999-20	Stainless Steel Lock Washer
12	S002954-20	Shank Lock Nut
13	017420-45TL	24" Flexible Supply Hose, Tin Lined

Product Specifications:

Single Hole Stainless Steel Single Temperature Deck Mount Faucet, Quarter-Turn Cerama Cartridge w/ Check Valve, 4" Wrist Action Handle, Swivel/Rigid Gooseneck w/ Serrated Tip Outlet & 24" Flexible Stainless Steel Tin Lined Braided Supply Hose w/ 3/8" Compression Inlet

Product Compliance:

ASME A112.18.1 / CSA B125.1
NSF 61 Exempt (Non-Potable)
NSF 372 (Low Lead Content)
ANSI A117.1 (ADA)