



# T&S BRASS AND BRONZE WORKS, INC.

2 Saddleback Cove / P.O. Box 1088  
Travelers Rest, SC 29690

Model No.

**S-2785-LN**

Item No.

Travelers Rest, SC: 800-476-4103 • Simi Valley, CA: 800-423-0150 • Fax: 864-834-3518 • www.tsbrass.com

This Space for Architect/Engineer Approval

Job Name \_\_\_\_\_ Date \_\_\_\_\_

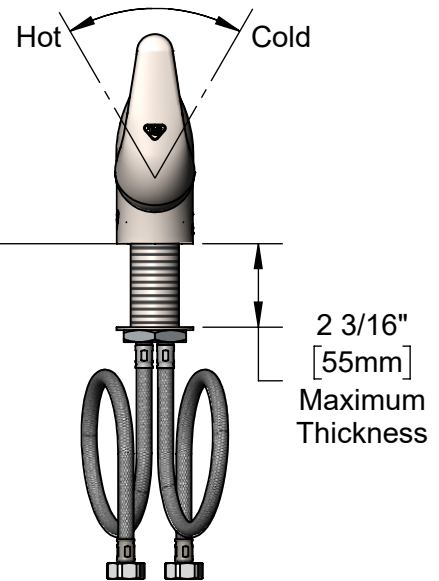
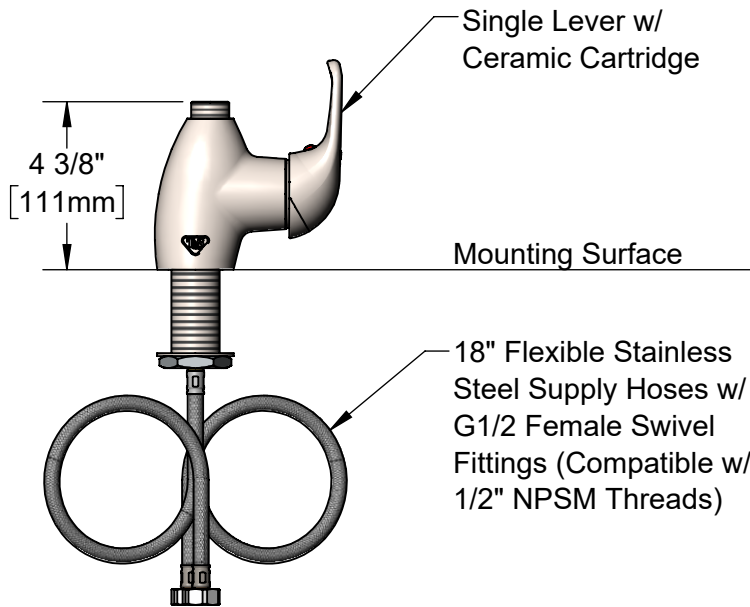
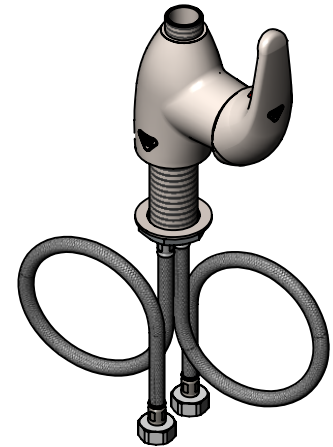
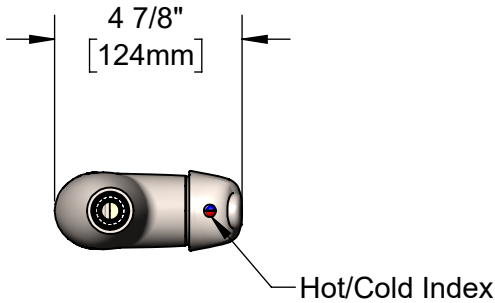
Model Specified \_\_\_\_\_ Quantity \_\_\_\_\_

Customer/Wholesaler \_\_\_\_\_

Contractor \_\_\_\_\_

Architect/Engineer \_\_\_\_\_

## EVERSTEEL



18" Flexible Stainless Steel Supply Hoses w/ G1/2 Female Swivel Fittings (Compatible w/ 1/2" NPSM Threads)

Rough-in Requirement:  
Ø 1 1/2" [38mm] Mounting Hole

Product Specifications:  
Single Hole Deck Mount Single Lever Faucet, Ceramic Cartridge, Temperature Limit Stop & Flexible Stainless Steel Supply Hoses

Product Compliance:  
ASME A112.18.1 / CSA B125.1  
NSF 61 - Section 9  
NSF 372 (Low Lead Content)  
ANSI A117.1 (ADA)



# T&S BRASS AND BRONZE WORKS, INC.

2 Saddleback Cove / P.O. Box 1088  
Travelers Rest, SC 29690

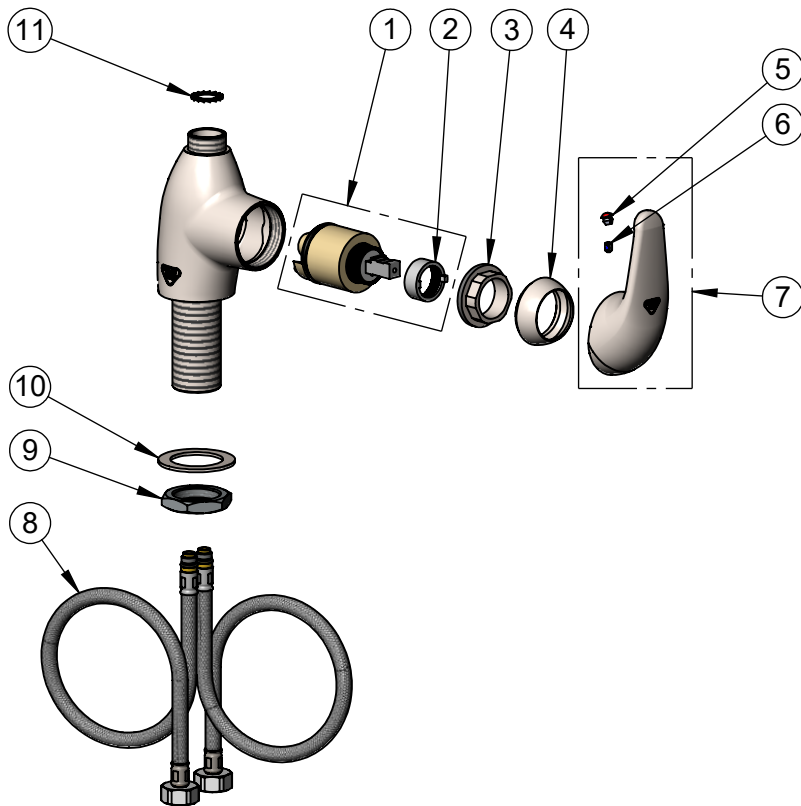
Model No.

**S-2785-LN**

Item No.

Travelers Rest, SC: 800-476-4103 • Simi Valley, CA: 800-423-0150 • Fax: 864-834-3518 • www.tsbrass.com

ITEM NO.	SALES NO.	DESCRIPTION
1	<a href="#">013111-45</a>	Ceramic Cartridge w/ Temperature Limit Stop
2	<a href="#">015400-45</a>	Temperature Limit Stop
3	S021022-20	Locking Nut, Stainless Steel
4	S021021-30	Trim Ring, Stainless Steel
5	<a href="#">014173-45</a>	Index, Temperature
6	<a href="#">016675-45</a>	Set Screw
7	S021020-30	Single Lever Handle, Stainless Steel
8	<a href="#">012436-45DR</a>	Flexible Connector Hose
9	S020655-20	Lock Nut
10	S020656-20	Washer, Stainless Steel
11	<a href="#">014200-45</a>	Star Washer, Anti-Rotation



**Product Specifications:**  
Single Hole Deck Mount Single Lever Faucet, Ceramic Cartridge, Temperature Limit Stop & Flexible Stainless Steel Supply Hoses

**Product Compliance:**  
ASME A112.18.1 / CSA B125.1  
NSF 61 - Section 9  
NSF 372 (Low Lead Content)  
ANSI A117.1 (ADA)