



**T&S BRASS AND BRONZE WORKS, INC.**  
 2 Saddleback Cove / P.O. Box 1088  
 Travelers Rest, SC 29690

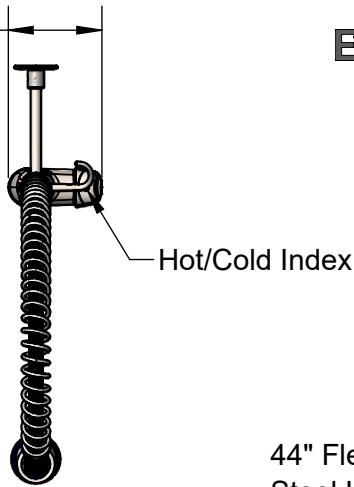
Model No.  
**S-2780-BY**

Item No.

Travelers Rest, SC: 800-476-4103 • Simi Valley, CA: 800-423-0150 • Fax: 864-834-3518 • www.tsbrass.com

4 7/8"  
 [124mm]

**EVERSTEEL**



Hot/Cold Index

This Space for Architect/Engineer Approval

Job Name \_\_\_\_\_ Date \_\_\_\_\_

Model Specified \_\_\_\_\_ Quantity \_\_\_\_\_

Customer/Wholesaler \_\_\_\_\_

Contractor \_\_\_\_\_

Architect/Engineer \_\_\_\_\_

44" Flexible Stainless Steel Hose w/ Spring & Spray Valve

Items Not Shown For Clarity

Stainless Steel Finger Hook

**S-0107-Y**  
 Stainless Steel 1.15 GPM Spray Valve

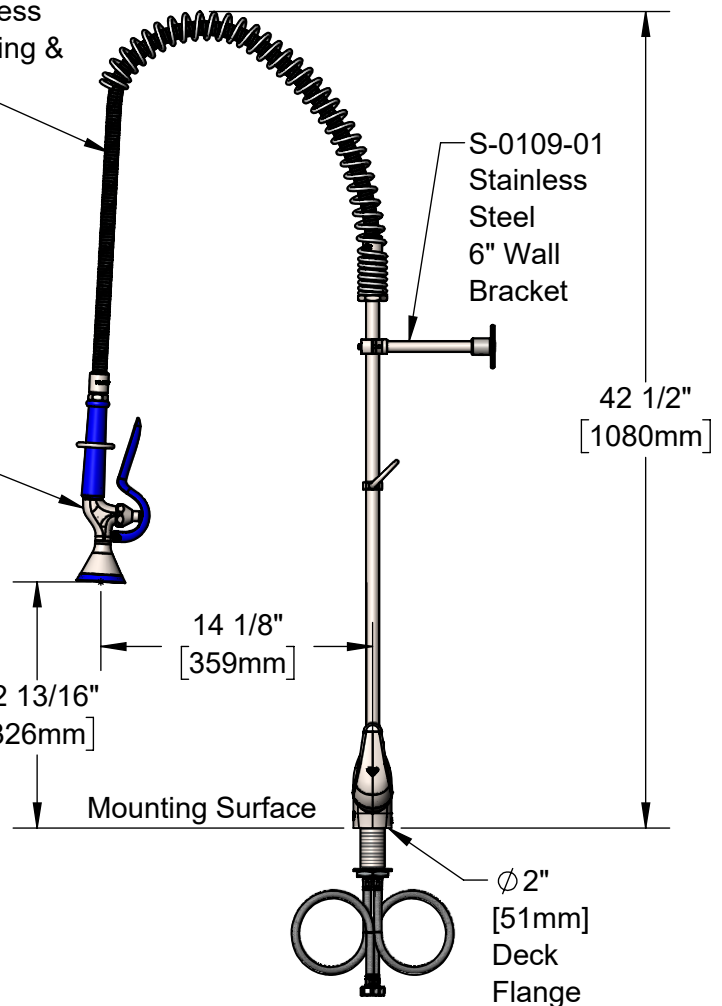
Stainless Steel 3/8" NPT x 24" Riser

EasyInstall Lock Nut & Bushing

Single Lever w/ Ceramic Cartridge

2 3/16"  
 [55mm]  
 Maximum Thickness

18" Flexible Stainless Steel Supply Hoses w/ G1/2 Female Swivel Fittings (Compatible w/ 1/2" NPSM Threads)



S-0109-01  
 Stainless Steel 6" Wall Bracket

42 1/2"  
 [1080mm]

14 1/8"  
 [359mm]

12 13/16"  
 [326mm]

Mounting Surface

Ø2"  
 [51mm]  
 Deck Flange

Rough-in Requirement:  
 Ø 1 1/2" [38mm] Mounting Hole

Product Specifications:

Stainless Steel Pre-Rinse Unit: EasyInstall Single Hole Deck Mount Single Lever Faucet, Ceramic Cartridge, 44" Flexible Stainless Steel Hose, 1.15 GPM New Style Spray Valve, 6" Wall Bracket & Flexible Stainless Steel Supply Hoses

Product Compliance:

ASME A112.18.1 / CSA B125.1  
 NSF 61 - Section 9  
 NSF 372 (Low Lead Content)  
 2019 DOE PRSV - Class II



# T&S BRASS AND BRONZE WORKS, INC.

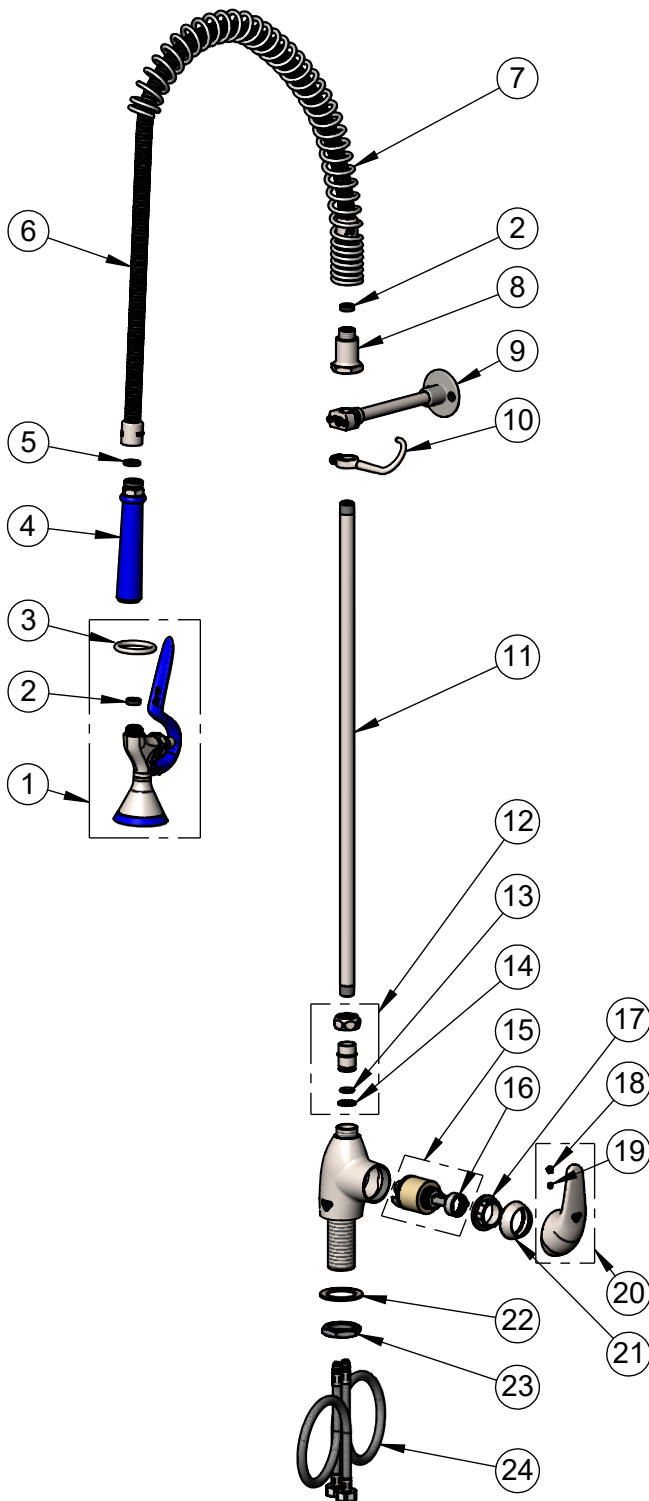
2 Saddleback Cove / P.O. Box 1088  
Travelers Rest, SC 29690

Model No.

**S-2780-BY**

Item No.

Travelers Rest, SC: 800-476-4103 • Simi Valley, CA: 800-423-0150 • Fax: 864-834-3518 • www.tsbrass.com



ITEM NO.	SALES NO.	DESCRIPTION
1	S-0107-Y	Stainless Steel 1.15 GPM New Style Spray Valve (Blue)
2	010476-45	#27 Washer
3	S000907-30	Spray Valve Hold Down Ring, Stainless Steel
4	S020795-30	Stainless Steel New Style Grip Handle (Blue)
5	001014-45	Washer, Hose Barrel
6	S-0044-H2A	Flexible Stainless Steel Hose
7	S000888-30	EasyInstall Overhead Spring
8	S000821-30	Spring Body
9	S-0109-01	B-109 Wall Bracket Body
10	S004R	Finger Hook
11	S000372-30	3/8" NPT x 24" Riser, Stainless Steel
12	SEZ-K	Stainless Steel EasyInstall Kit: Nut, Bushing, O-Ring & Lock Washer
13	001065-45	O-Ring
14	014200-45	Star Washer, Anti-Rotation
15	013111-45	Ceramic Cartridge w/ Temperature Limit Stop
16	015400-45	Temperature Limit Stop
17	S021022-20	Locking Nut, Stainless Steel
18	014173-45	Index, Temperature
19	016675-45	Set Screw
20	S021020-30	Single Lever Handle, Stainless Steel
21	S021021-30	Trim Ring, Stainless Steel
22	S020656-20	Washer, Stainless Steel
23	S020655-20	Lock Nut
24	012436-45DR	Flexible Connector Hose

**Product Specifications:**

Stainless Steel Pre-Rinse Unit: EasyInstall Single Hole Deck Mount Single Lever Faucet, Ceramic Cartridge, 44" Flexible Stainless Steel Hose, 1.15 GPM New Style Spray Valve, 6" Wall Bracket & Flexible Stainless Steel Supply Hoses

**Product Compliance:**

ASME A112.18.1 / CSA B125.1  
NSF 61 - Section 9  
NSF 372 (Low Lead Content)  
2019 DOE PRSV - Class II