



**T&S BRASS AND BRONZE WORKS, INC.**  
 2 Saddleback Cove / P.O. Box 1088  
 Travelers Rest, SC 29690

Model No.  
**S-1210**

Item No.

Travelers Rest, SC: 800-476-4103 • Simi Valley, CA: 800-423-0150 • Fax: 864-834-3518 • www.tsbrass.com

**EVERSTEEL**



**ADA Compliant**

This Space for Architect/Engineer Approval

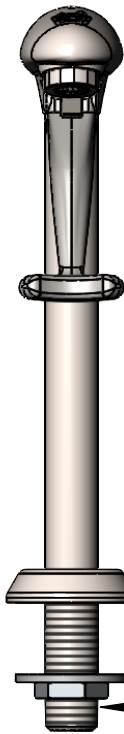
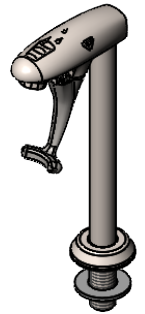
Job Name \_\_\_\_\_ Date \_\_\_\_\_

Model Specified \_\_\_\_\_ Quantity \_\_\_\_\_

Customer/Wholesaler \_\_\_\_\_

Contractor \_\_\_\_\_

Architect/Engineer \_\_\_\_\_



Torx Wrench  
 Adjustable  
 Stainless Steel  
 Flow Outlet

SS VR Screw

Stainless  
 Steel Lever  
 Arm

Ø 2"  
 [51mm]  
 Adjustable  
 Flange

1/2" NPT  
 Male Inlet

3 3/4"  
 [96mm]

8"  
 [204mm]

4 11/16"  
 [120mm]

9 5/16"  
 [237mm]

Mounting  
 Surface

1 1/8"  
 [29mm]  
 Maximum  
 Thickness



**014734-45**  
 VR Bit  
 Included

Rough-In Requirement:  
 Ø 1" [25mm] Mounting Hole

**Product Specifications:**

8" Deck Mount Pedestal Type Stainless Steel Glass Filler, Push Back Design, Stainless Steel Self-Closing Arm w/ VR Screw, Adjustable Stainless Steel Deck Flange & 1/2" NPT Stainless Steel Male Inlet

**Product Compliance:**

ASME A112.18.1 / CSA B125.1  
 NSF 61 - Section 9  
 NSF 372 (Low Lead Content)  
 ANSI A117.1 (ADA)



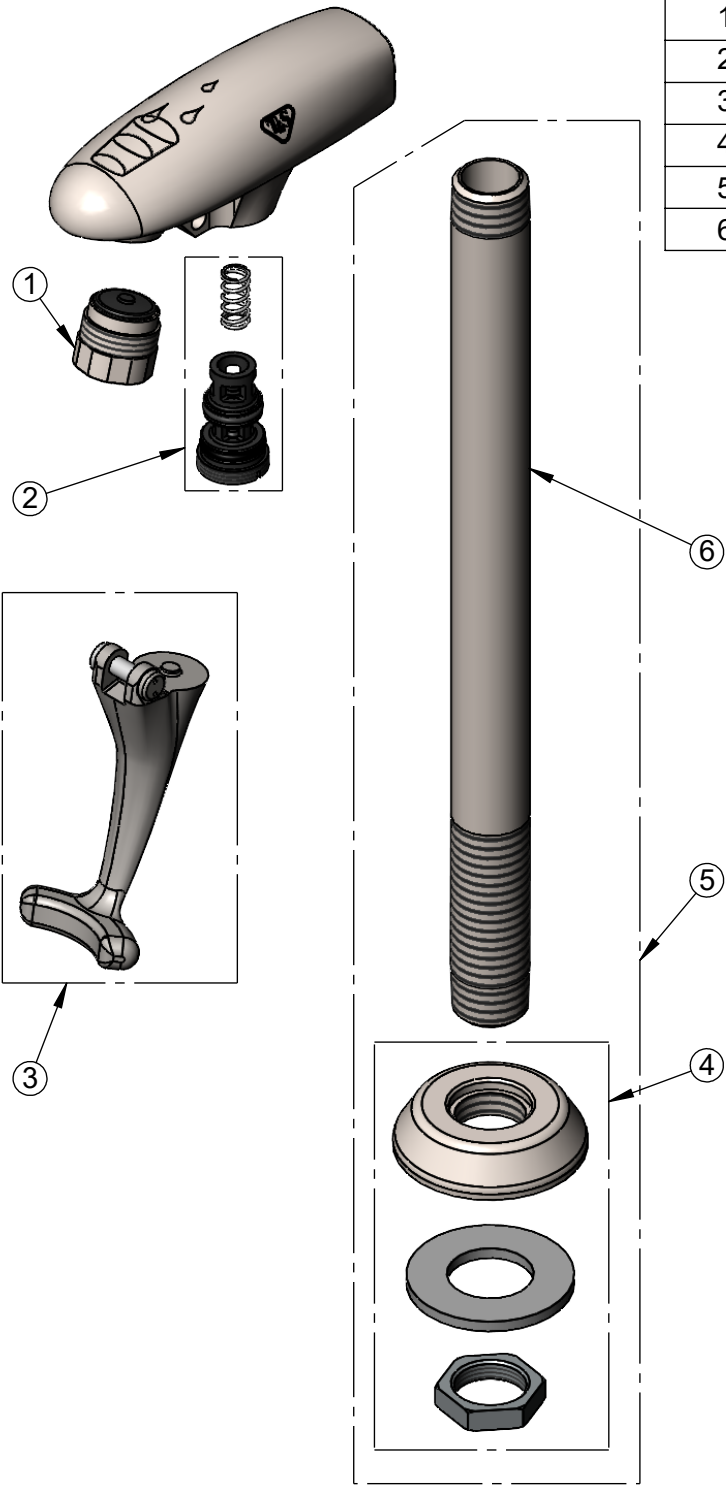
**T&S BRASS AND BRONZE WORKS, INC.**  
 2 Saddleback Cove / P.O. Box 1088  
 Travelers Rest, SC 29690

Model No.  
**S-1210**

Item No.

Travelers Rest, SC: 800-476-4103 • Simi Valley, CA: 800-423-0150 • Fax: 864-834-3518 • www.tsbrass.com

ITEM NO.	SALES NO.	DESCRIPTION
1	S015588-30	Adjustable SS Outlet w/ Torx Wrench
2	<b>015589-40</b>	Valve Repair Kit
3	S015550-30	SS Lever Arm Repair Kit w/ VR Screw
4	S016783-30	Adjustable SS Deck Flange Repair Kit
5	S015887-30	Stainless Steel Pedestal
6	S015886-30	SS Pedestal 8" x 1/2" NPT Male Thrd.



**Product Specifications:**  
 8" Deck Mount Pedestal Type Stainless Steel Glass Filler, Push Back Design, Stainless Steel Self-Closing Arm w/ VR Screw, Adjustable Stainless Steel Deck Flange & 1/2" NPT Stainless Steel Male Inlet

**Product Compliance:**  
 ASME A112.18.1 / CSA B125.1  
 NSF 61 - Section 9  
 NSF 372 (Low Lead Content)  
 ANSI A117.1 (ADA)