



T&S BRASS AND BRONZE WORKS, INC.

2 Saddleback Cove / P.O. Box 1088
Travelers Rest, SC 29690

Model No.

S-1210-10

Item No.

Travelers Rest, SC: 800-476-4103 • Simi Valley, CA: 800-423-0150 • Fax: 864-834-3518 • www.tsbrass.com



ADA Compliant

This Space for Architect/Engineer Approval

Job Name _____ Date _____

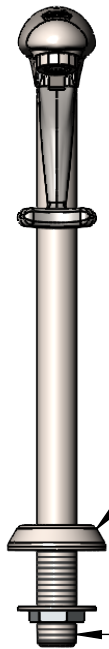
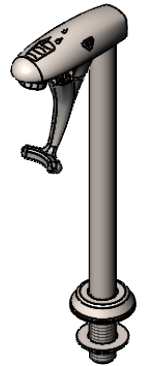
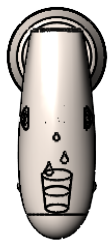
Model Specified _____ Quantity _____

Customer/Wholesaler _____

Contractor _____

Architect/Engineer _____

EVERSTEEL



Ø 2" [51mm]
Adjustable
Flange

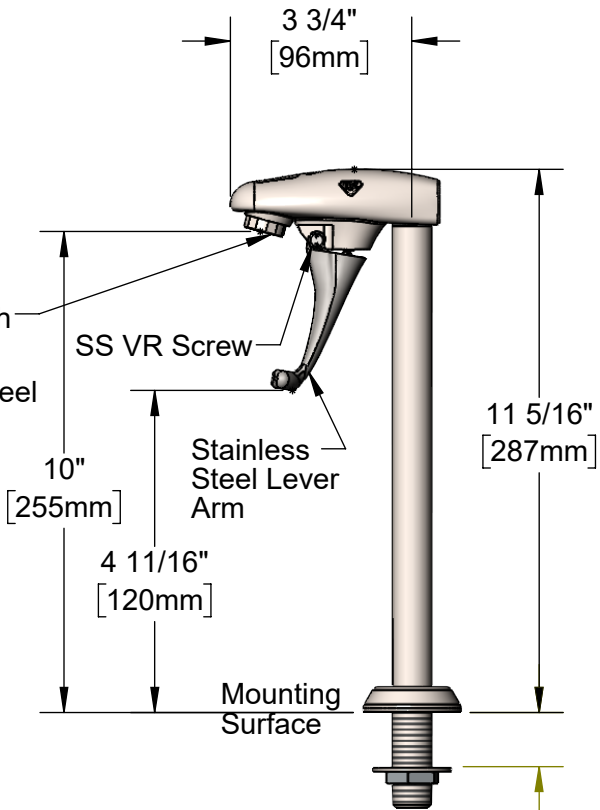
1/2" NPT
Male Inlet

Torx Wrench
Adjustable
Stainless Steel
Flow Outlet

SS VR Screw

Stainless
Steel Lever
Arm

Mounting
Surface



014734-45
VR Bit
Included

Rough-In Requirement:
Ø 1" [25mm] Mounting Hole

Product Specifications:

10" Deck Mount Pedestal Type Stainless Steel Glass Filler, Push Back Design, Stainless Steel Self-Closing Arm w/ VR Screw, Adjustable Stainless Steel Deck Flange & 1/2" NPT Stainless Steel Male Inlet

Product Compliance:

ASME A112.18.1 / CSA B125.1
NSF 61 - Section 9
NSF 372 (Low Lead Content)
ANSI A117.1 (ADA)



T&S BRASS AND BRONZE WORKS, INC.

2 Saddleback Cove / P.O. Box 1088
Travelers Rest, SC 29690

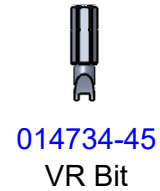
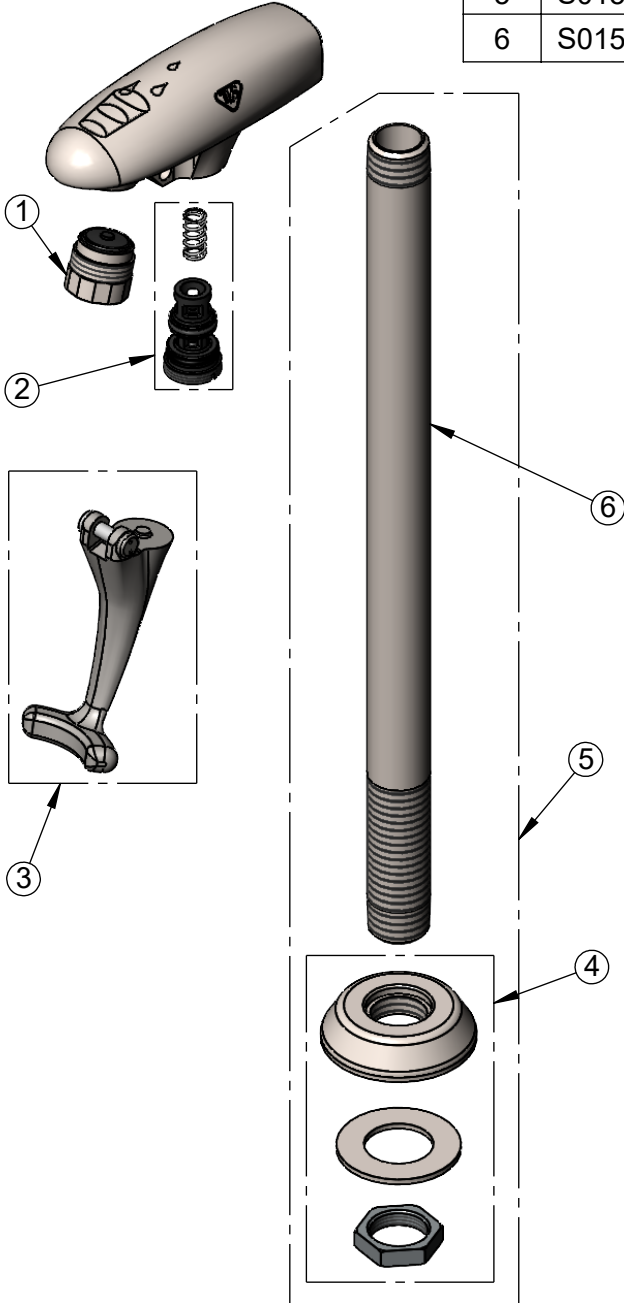
Model No.

S-1210-10

Item No.

Travelers Rest, SC: 800-476-4103 • Simi Valley, CA: 800-423-0150 • Fax: 864-834-3518 • www.tsbrass.com

ITEM NO.	SALES NO.	DESCRIPTION
1	S015588-30	Adjustable Stainless Steel Outlet w/ Torx Wrench
2	015589-40	Valve Repair Kit
3	S015550-30	Stainless Steel Lever Arm
4	S016783-30	Adjustable Stainless Steel Deck Flange Repair Kit
5	S015889-30	Stainless Steel Pedestal
6	S015888-30	Stainless Steel Pedestal 10" x 1/2" NPT Male Thrd.



Product Specifications:

10" Deck Mount Pedestal Type Stainless Steel Glass Filler, Push Back Design, Stainless Steel Self-Closing Arm w/ VR Screw, Adjustable Stainless Steel Deck Flange & 1/2" NPT Stainless Steel Male Inlet

Product Compliance:

ASME A112.18.1 / CSA B125.1
NSF 61 - Section 9
NSF 372 (Low Lead Content)
ANSI A117.1 (ADA)