



T&S BRASS AND BRONZE WORKS, INC.

2 Saddleback Cove / P.O. Box 1088
Travelers Rest, SC 29690

Model No.

S-1141-04

Item No.

Travelers Rest, SC: 800-476-4103 • Simi Valley, CA: 800-423-0150 • Fax: 864-834-3518 • www.tsbrass.com

EVERSTEEL



ADA Compliant

This Space for Architect/Engineer Approval

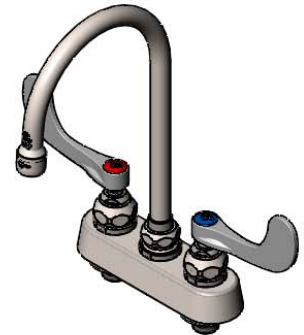
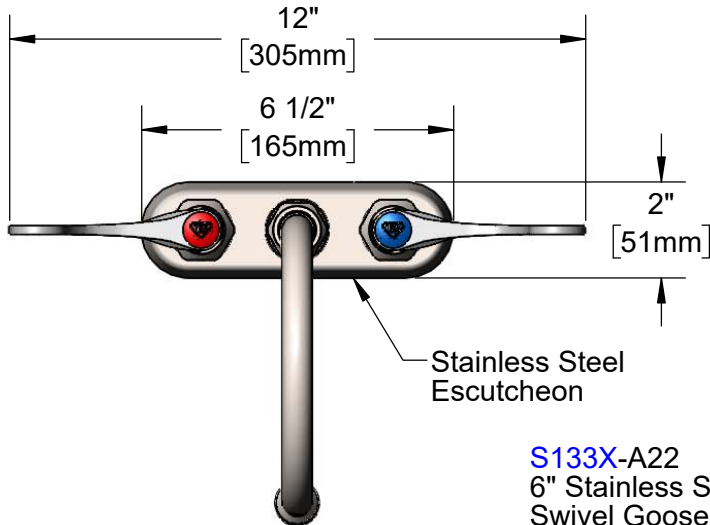
Job Name _____ Date _____

Model Specified _____ Quantity _____

Customer/Wholesaler _____

Contractor _____

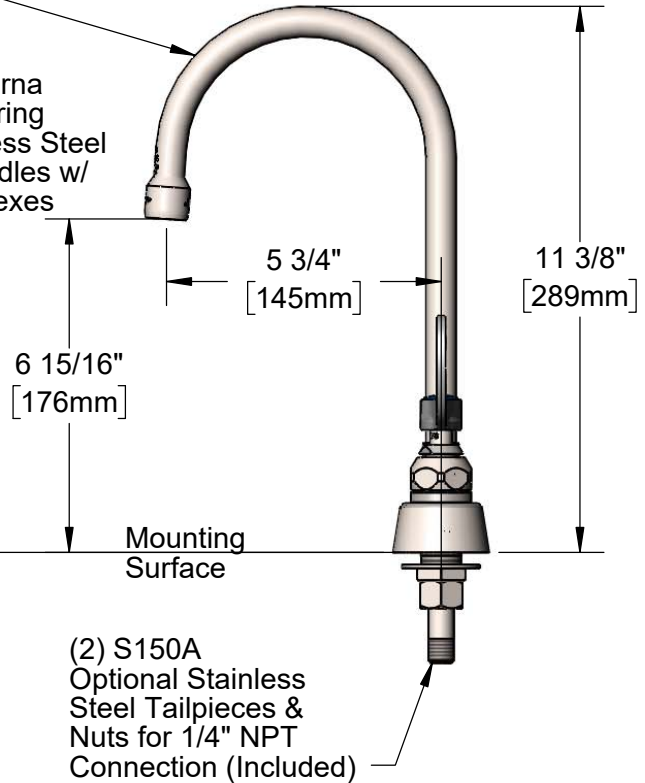
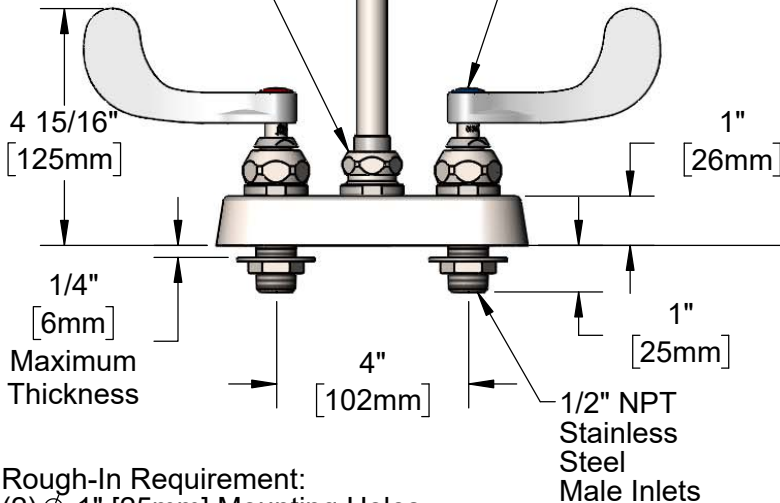
Architect/Engineer _____



S133X-A22
6" Stainless Steel Swivel Gooseneck w/ 2.2 GPM Stainless Steel Aerator

Swivel Joint Converts to Rigid w/ 014200-45 Lock Washer (Included)

Stainless Steel Quarter-Turn Eterna Cartridges w/ Spring Checks & Stainless Steel Wrist Action Handles w/ Color Coded Indexes



Rough-In Requirement:
(2) \varnothing 1" [25mm] Mounting Holes

Product Specifications:

4" Stainless Steel Deck Mount Workboard Faucet, Stainless Steel Quarter-Turn Eterna Cartridges w/ Spring Checks, 4" Stainless Steel Wrist Action Handles, 6" Stainless Steel Swivel Gooseneck, 2.2 GPM Stainless Steel Aerator & 1/2" NPT Stainless Steel Male Inlets

Product Compliance:

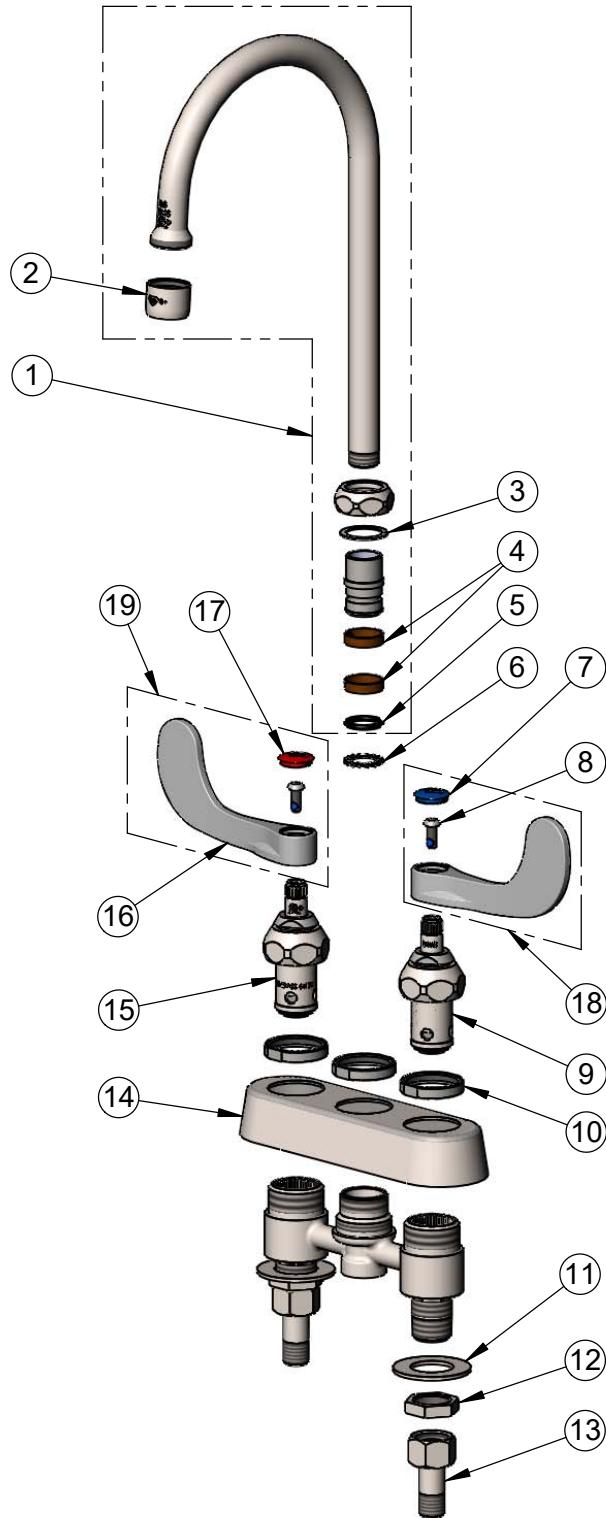
ASME A112.18.1 / CSA B125.1
NSF 61 - Section 9
NSF 372 (Low Lead Content)
ANSI A117.1 (ADA)



T&S BRASS AND BRONZE WORKS, INC.
 2 Saddleback Cove / P.O. Box 1088
 Travelers Rest, SC 29690

Model No.
S-1141-04
 Item No.

Travelers Rest, SC: 800-476-4103 • Simi Valley, CA: 800-423-0150 • Fax: 864-834-3518 • www.tsbrass.com



ITEM NO.	SALES NO.	DESCRIPTION
1	S133X-A22	6" SS Swivel Gooseneck w/ 2.2 GPM SS Aerator
2	S-0199-01	2.2 GPM SS Aerator, 55/64-27 UN Female
3	009538-45	Swivel Washer
4	011429-45	Swivel Sleeves (2)
5	001074-45	O-Ring
6	014200-45	Star Washer, Anti-Rotation
7	018506-19NS	Blue Button Index, Press-in
8	000925-45	Lab Handle Screw
9	S012442-30NS	SS Quarter-Turn New Style Eterna Cartridge w/ Spring Check, LTC
10	S019376-30	Escutcheon Lock Nut
11	S000999-20	Stainless Steel Lock Washer
12	S002954-20	Stainless Steel Shank Lock Nut
13	S150A	1/4" NPT Stainless Steel Tailpiece & Nut
14	S019374-30	S-1110 Stainless Steel Workboard Escutcheon
15	S012443-30NS	SS Quarter-Turn New Style Eterna Cartridge w/ Spring Check, RTC
16	S-WH4-NS	SS Wrist Action Handle (New Style)
17	001193-19NS	Red Button Index, Press-in
18	S-WH4C-NS	SS Wrist Action Handle, Blue Index & Screw
19	S-WH4H-NS	SS Wrist Action Handle, Red Index & Screw

Product Specifications:

4" Stainless Steel Deck Mount Workboard Faucet, Stainless Steel Quarter-Turn Eterna Cartridges w/ Spring Checks, 4" Stainless Steel Wrist Action Handles, 6" Stainless Steel Swivel Gooseneck, 2.2 GPM Stainless Steel Aerator & 1/2" NPT Stainless Steel Male Inlets

Product Compliance:

ASME A112.18.1 / CSA B125.1
 NSF 61 - Section 9
 NSF 372 (Low Lead Content)
 ANSI A117.1 (ADA)