



**T&S BRASS AND BRONZE WORKS, INC.**  
 2 Saddleback Cove / P.O. Box 1088  
 Travelers Rest, SC 29690

Model No.  
**S-1125-LN**

Item No.

Travelers Rest, SC: 800-476-4103 • Simi Valley, CA: 800-423-0150 • Fax: 864-834-3518 • www.tsbrass.com

**EVERSTEEL**



**ADA Compliant**

This Space for Architect/Engineer Approval

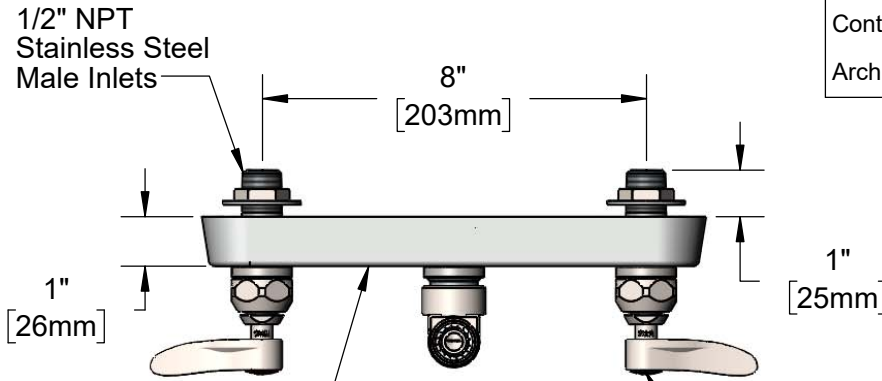
Job Name \_\_\_\_\_ Date \_\_\_\_\_

Model Specified \_\_\_\_\_ Quantity \_\_\_\_\_

Customer/Wholesaler \_\_\_\_\_

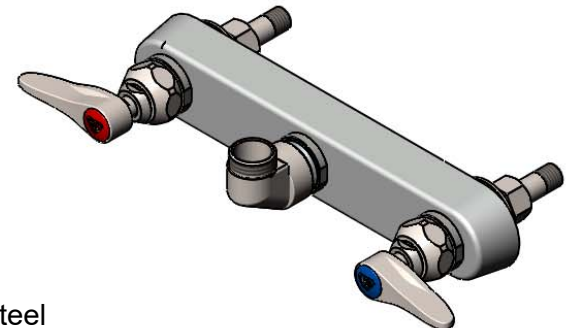
Contractor \_\_\_\_\_

Architect/Engineer \_\_\_\_\_

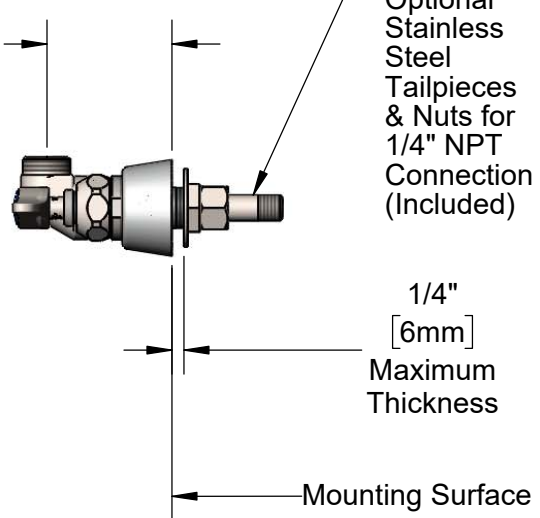
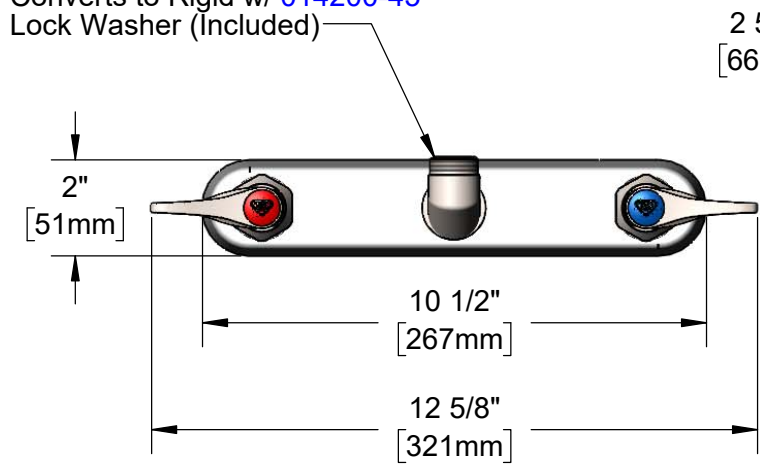


Stainless Steel Escutcheon

Stainless Steel Quarter-Turn Eterna Cartridges w/ Spring Checks & Stainless Steel Lever Handles w/ Color Coded Indexes



Swivel Outlet Accepts Standard T&S Stainless Steel Swing Nozzles. Converts to Rigid w/ 014200-45 Lock Washer (Included)



(2) S150A Optional Stainless Steel Tailpieces & Nuts for 1/4" NPT Connection (Included)

1/4" [6mm] Maximum Thickness

Mounting Surface

Rough-In Requirement:  
 (2)  $\phi$  1" [25mm] Mounting Holes

**Product Specifications:**

8" Stainless Steel Wall Mount Workboard Faucet Less Nozzle, Stainless Steel Quarter-Turn Eterna Cartridges w/ Spring Checks, Stainless Steel Lever Handles & 1/2" NPT Stainless Steel Male Inlets

**Product Compliance:**

ASME A112.18.1 / CSA B125.1  
 NSF 61 - Section 9  
 NSF 372 (Low Lead Content)  
 ANSI A117.1 (ADA)



# T&S BRASS AND BRONZE WORKS, INC.

2 Saddleback Cove / P.O. Box 1088  
Travelers Rest, SC 29690

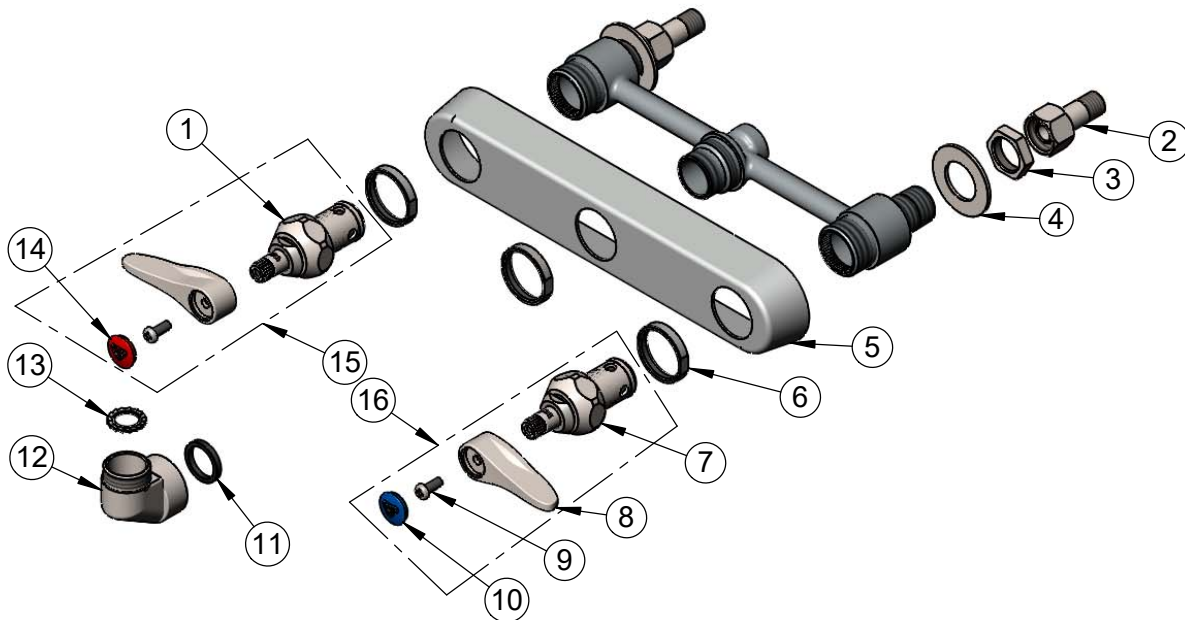
Model No.

**S-1125-LN**

Item No.

Travelers Rest, SC: 800-476-4103 • Simi Valley, CA: 800-423-0150 • Fax: 864-834-3518 • www.tsbrass.com

ITEM NO.	SALES NO.	DESCRIPTION
1	S012442-30NS	SS Quarter-Turn Eterna Cartridge w/ Spring Check, LTC
2	S150A	1/4" NPT Stainless Steel Tailpiece & Nut
3	S002954-20	Stainless Steel Shank Lock Nut
4	S000999-20	Stainless Steel Lock Washer
5	S019375-30	S-1120 Eterna Workboard Escutcheon
6	S019376-30	SS Escutcheon Lock Nut
7	S012443-30NS	SS Quarter-Turn Eterna Cartridge w/ Spring Check, RTC
8	S001638-30NS	Stainless Steel Lever Handle (New Style)
9	000925-45	Lab Handle Screw
10	018506-19NS	Blue Button Index, Press-in
11	001040-45	Washer, 3/4 ID x 15/16 OD x 1/8 thick
12	S000082-30	Stainless Steel Knob
13	014200-45	Star Washer, Anti-Rotation
14	001193-19NS	Red Button Index, Press-in
15	S019638-30	SS Quarter-Turn Eterna Cartridge, LTC w/ Spring Check, Handle, Red Index & Screw
16	S019639-30	SS Quarter-Turn Eterna Cartridge RTC w/ Spring Check, Handle, Blue Index & Screw



**Product Specifications:**

8" Stainless Steel Wall Mount Workboard Faucet Less Nozzle, Stainless Steel Quarter-Turn Eterna Cartridges w/ Spring Checks, Stainless Steel Lever Handles & 1/2" NPT Stainless Steel Male Inlets

**Product Compliance:**

ASME A112.18.1 / CSA B125.1  
NSF 61 - Section 9  
NSF 372 (Low Lead Content)  
ANSI A117.1 (ADA)