



T&S BRASS AND BRONZE WORKS, INC.
 2 Saddleback Cove / P.O. Box 1088
 Travelers Rest, SC 29690

Model No.
S-1120-LN

Item No.

Travelers Rest, SC: 800-476-4103 • Simi Valley, CA: 800-423-0150 • Fax: 864-834-3518 • www.tsbrass.com

EVERSTEEL



ADA Compliant

This Space for Architect/Engineer Approval

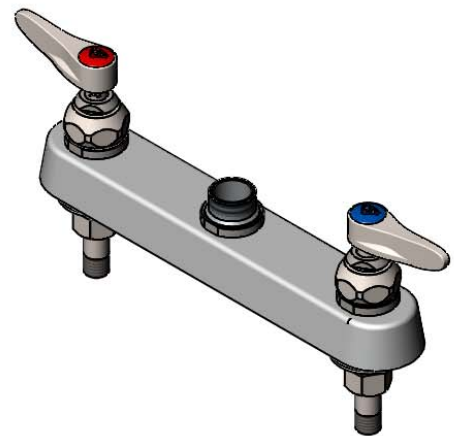
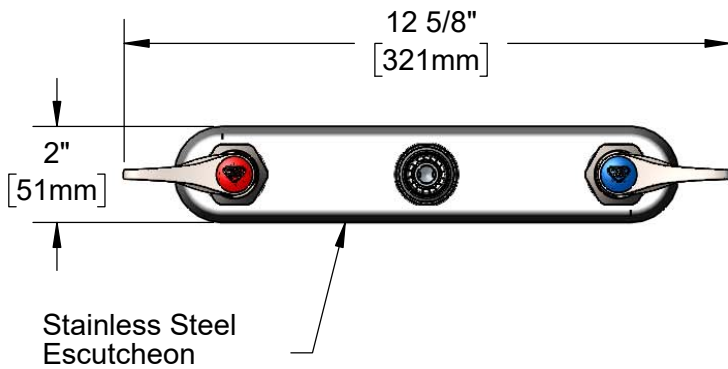
Job Name _____ Date _____

Model Specified _____ Quantity _____

Customer/Wholesaler _____

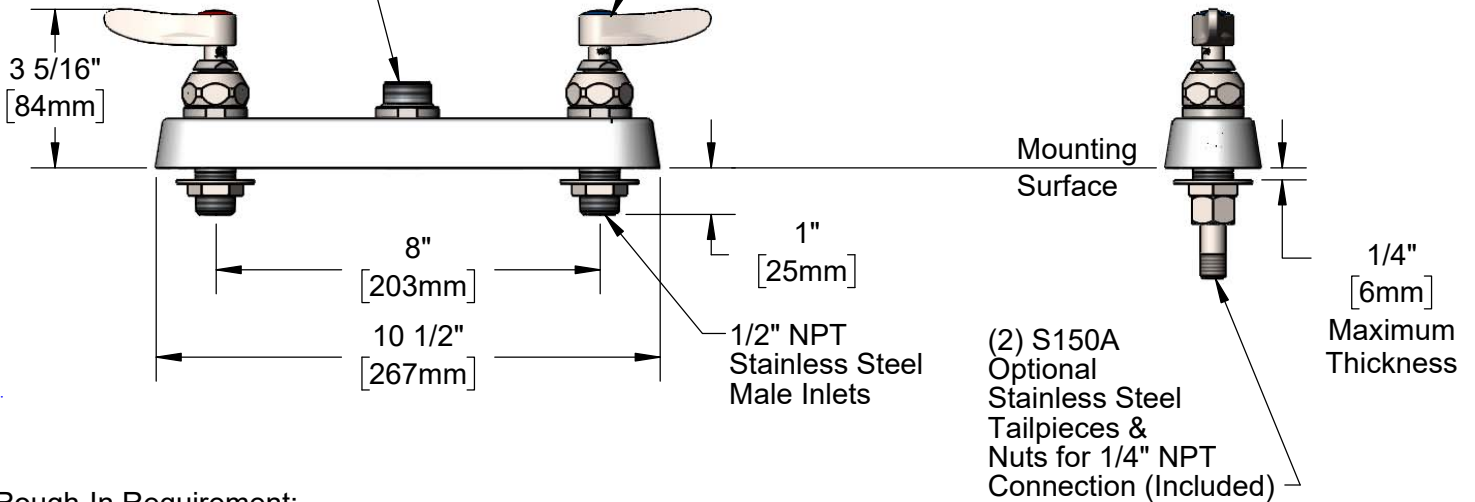
Contractor _____

Architect/Engineer _____



Swivel Outlet Accepts Standard T&S Stainless Steel Swing Nozzles. Converts to Rigid w/ **014200-45** Lock Washer (Included)

Stainless Steel Quarter-Turn Eterna Cartridges w/ Spring Checks & Stainless Steel Lever Handles w/ Color Coded Indexes



Rough-In Requirement:
 (2) \varnothing 1" [25mm] Mounting Holes

Product Specifications:

8" Stainless Steel Deck Mount Workboard Faucet Less Nozzle, Stainless Steel Quarter-Turn Eterna Cartridges w/ Spring Checks, Stainless Steel Lever Handles & 1/2" NPT Stainless Steel Male Inlets

Product Compliance:

ASME A112.18.1 / CSA B125.1
 NSF 61 - Section 9
 NSF 372 (Low Lead Content)
 ANSI A117.1 (ADA)

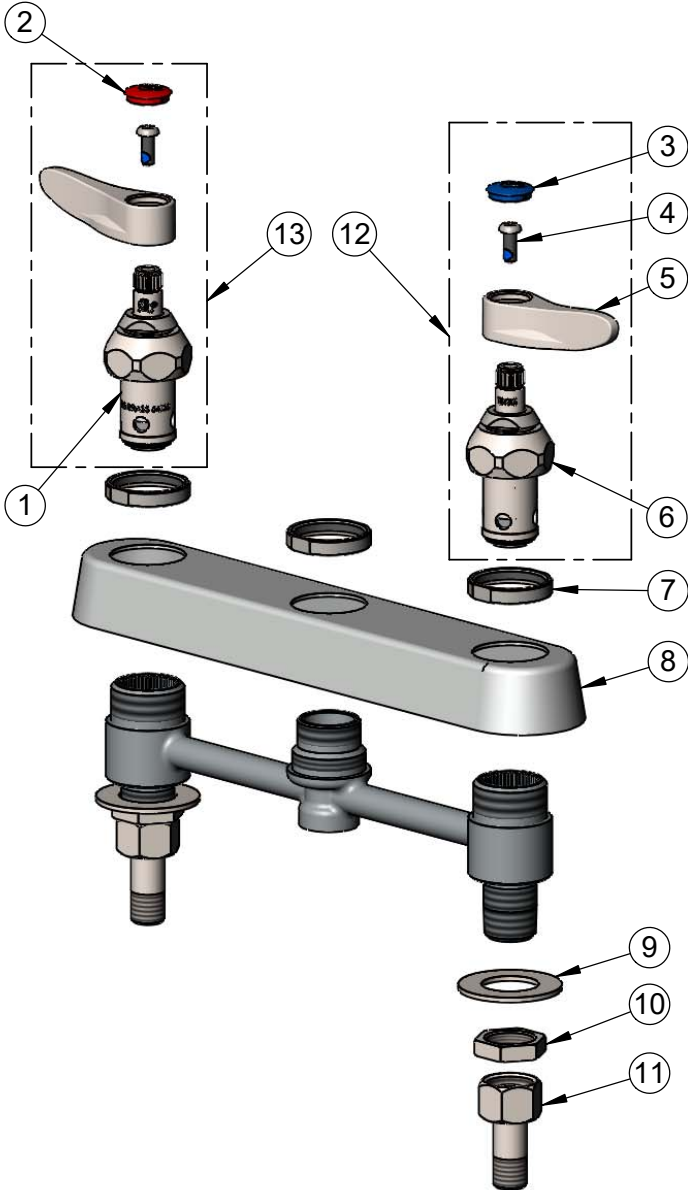


T&S BRASS AND BRONZE WORKS, INC.
 2 Saddleback Cove / P.O. Box 1088
 Travelers Rest, SC 29690


Model No.
S-1120-LN

Item No.

Travelers Rest, SC: 800-476-4103 • Simi Valley, CA: 800-423-0150 • Fax: 864-834-3518 • www.tsbrass.com



ITEM NO.	SALES NO.	DESCRIPTION
1	S012443-30NS	SS Quarter-Turn New Style Eterna Cartridge w/ Spring Check, RTC
2	001193-19NS	Red Button Index, Press-in
3	018506-19NS	Blue Button Index, Press-in
4	000925-45	Lab Handle Screw
5	S001638-30NS	SS Lever Handle (New Style)
6	S012442-30NS	SS Quarter-Turn New Style Eterna Cartridge w/ Spring Check, LTC
7	S019376-30	SS Escutcheon Lock Nut
8	S019375-30	S-1120 Eterna Workboard Escutcheon
9	S000999-20	Stainless Steel Lock Washer
10	S002954-20	Stainless Steel Shank Lock Nut
11	S150A	1/4" NPT SS Tailpiece & Nut
12	S002711-30NS	SS Quarter-Turn Eterna Cartridge, w/ Spring Check, Handle, Index & Screw, LTC
13	S002712-30NS	SS Quarter-Turn Eterna Cartridge w/ Spring Check, Handle, Red Index & Screw, RTC


014200-45
 Lock Washer
 (Converts Swivel to Rigid)

Product Specifications:

8" Stainless Steel Deck Mount Workboard Faucet Less Nozzle, Stainless Steel Quarter-Turn Eterna Cartridges w/ Spring Checks, Stainless Steel Lever Handles & 1/2" NPT Stainless Steel Male Inlets

Product Compliance:

ASME A112.18.1 / CSA B125.1
 NSF 61 - Section 9
 NSF 372 (Low Lead Content)
 ANSI A117.1 (ADA)