



T&S BRASS AND BRONZE WORKS, INC.

2 Saddleback Cove / P.O. Box 1088
Travelers Rest, SC 29690

Model No.

S-1115

Item No.

Travelers Rest, SC: 800-476-4103 • Simi Valley, CA: 800-423-0150 • Fax: 864-834-3518 • www.tsbrass.com

EVERSTEEL



ADA Compliant

This Space for Architect/Engineer Approval

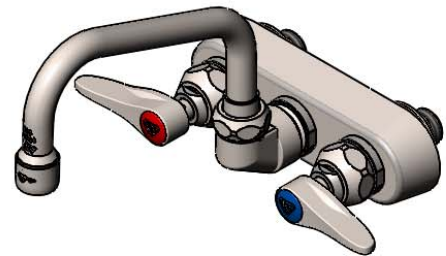
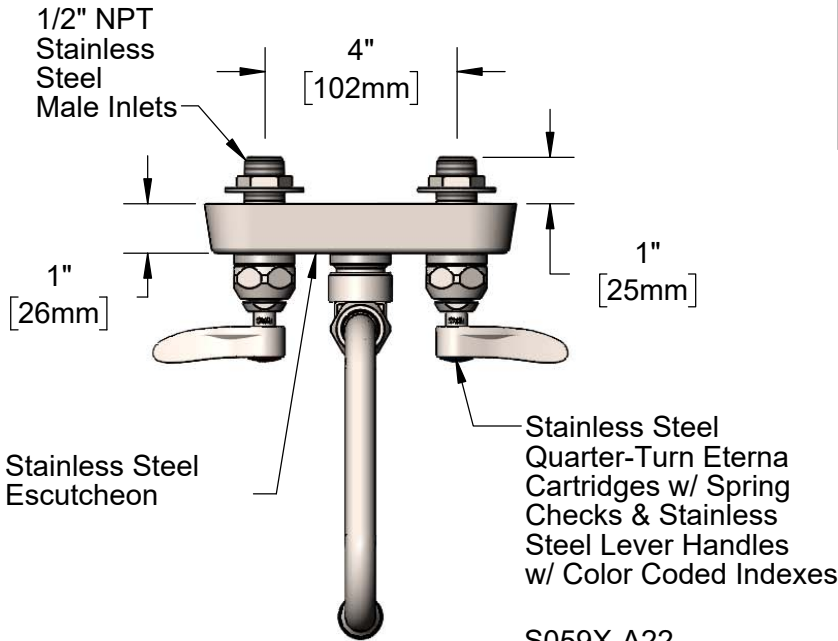
Job Name _____ Date _____

Model Specified _____ Quantity _____

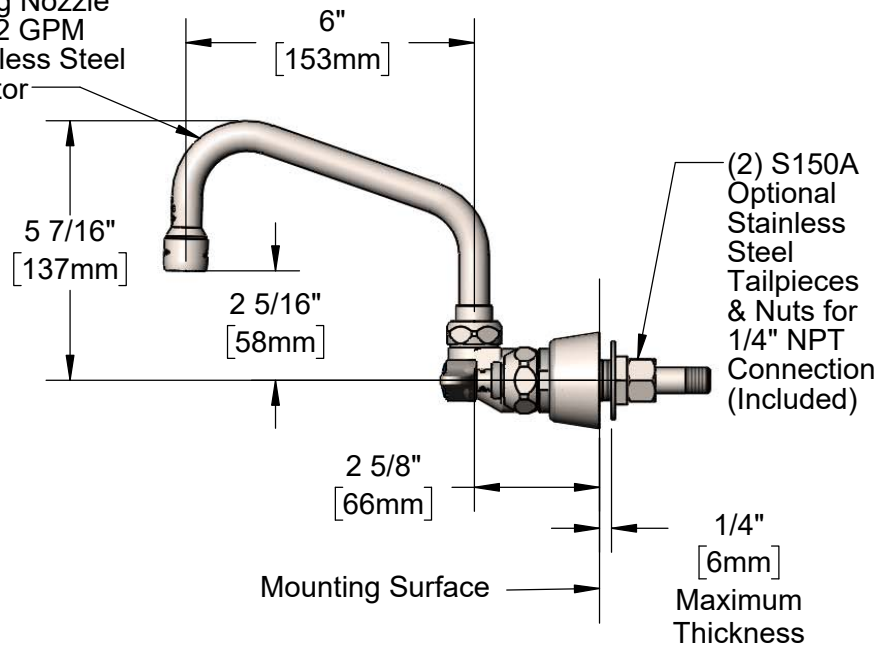
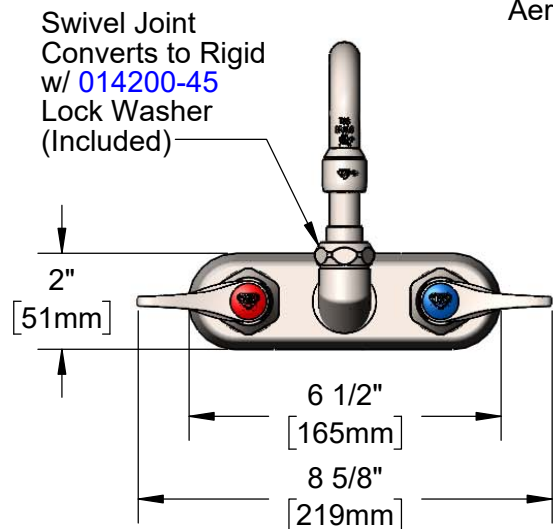
Customer/Wholesaler _____

Contractor _____

Architect/Engineer _____



S059X-A22
6" Stainless Steel Swing Nozzle
w/ 2.2 GPM Stainless Steel Aerator



Rough-In Requirement:
(2) ϕ 1" [25mm] Mounting Holes

Product Specifications:

4" Stainless Steel Wall Mount Workboard Faucet, Stainless Steel Quarter-Turn Eterna Cartridges w/ Spring Checks, Stainless Steel Lever Handles, 6" Stainless Steel Swing Nozzle, 2.2 GPM Stainless Steel Aerator & 1/2" NPT Stainless Steel Male Inlets

Product Compliance:

ASME A112.18.1 / CSA B125.1
NSF 61 - Section 9
NSF 372 (Low Lead Content)
ANSI A117.1 (ADA)

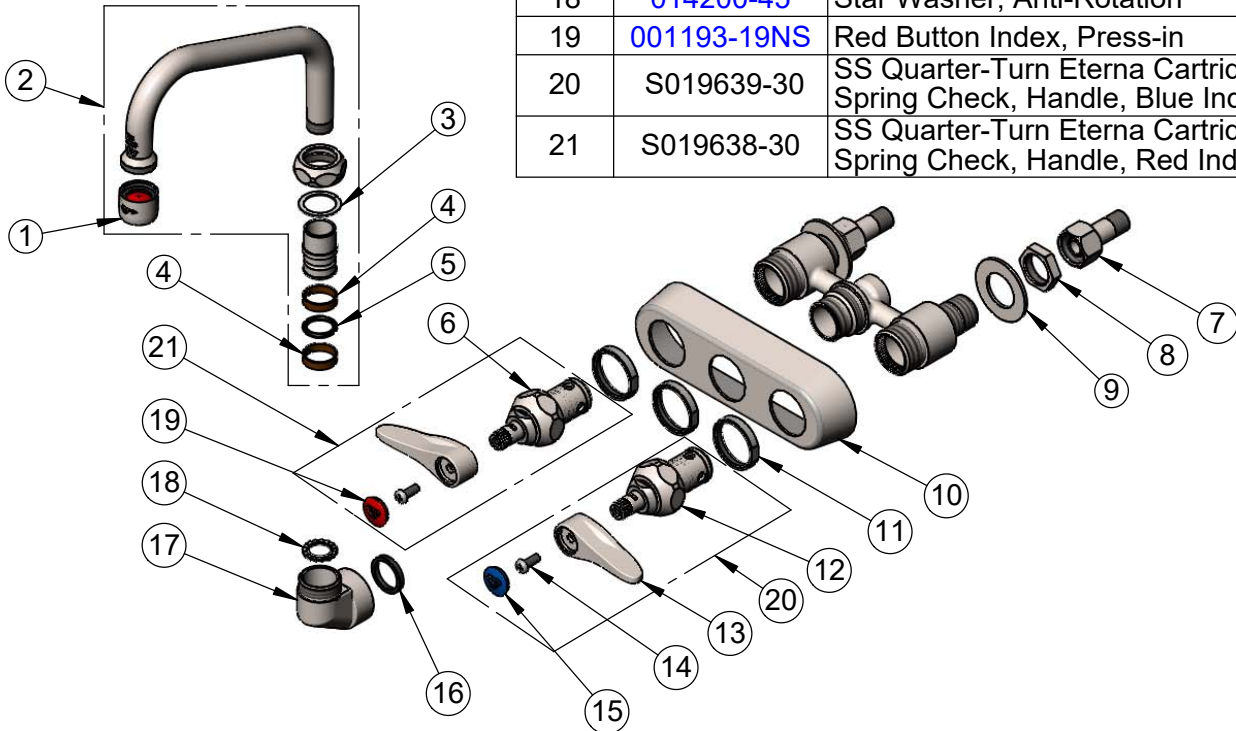


T&S BRASS AND BRONZE WORKS, INC.
 2 Saddleback Cove / P.O. Box 1088
 Travelers Rest, SC 29690

Model No.
S-1115
 Item No.

Travelers Rest, SC: 800-476-4103 • Simi Valley, CA: 800-423-0150 • Fax: 864-834-3518 • www.tsbrass.com

ITEM NO.	SALES NO.	DESCRIPTION
1	S-0199-01	2.2 GPM SS Aerator, 55/64-27 UN Female
2	S059X-A22	6" SS Swing Nozzle w/ 2.2 GPM SS Aerator
3	009538-45	Swivel Washer
4	011429-45	Swivel Sleeves (2)
5	001074-45	O-Ring
6	S012442-30NS	SS Quarter-Turn Eterna Cartridge w/ Spring Check, LTC
7	S150A	1/4" NPT SS Tailpiece & Nut
8	S002954-20	Stainless Steel Shank Lock Nut
9	S000999-20	Stainless Steel Lock Washer
10	S019374-30	S-1110 Stainless Steel Workboard Escutcheon
11	S019376-30	Stainless Steel Escutcheon Lock Nut
12	S012443-30NS	SS Quarter-Turn Eterna Cartridge w/ Spring Check, RTC
13	S001638-30NS	Stainless Steel Lever Handle (New Style)
14	000925-45	Lab Handle Screw
15	018506-19NS	Blue Button Index, Press-in
16	001040-45	Washer, 3/4 ID x 15/16 OD x 1/8 thick
17	S000082-30	Stainless Steel Knob
18	014200-45	Star Washer, Anti-Rotation
19	001193-19NS	Red Button Index, Press-in
20	S019639-30	SS Quarter-Turn Eterna Cartridge RTC w/ Spring Check, Handle, Blue Index & Screw
21	S019638-30	SS Quarter-Turn Eterna Cartridge LTC w/ Spring Check, Handle, Red Index & Screw



Product Specifications:

4" Stainless Steel Wall Mount Workboard Faucet, Stainless Steel Quarter-Turn Eterna Cartridges w/ Spring Checks, Stainless Steel Lever Handles, 6" Stainless Steel Swing Nozzle, 2.2 GPM Stainless Steel Aerator & 1/2" NPT Stainless Steel Male Inlets

Product Compliance:

ASME A112.18.1 / CSA B125.1
 NSF 61 - Section 9
 NSF 372 (Low Lead Content)
 ANSI A117.1 (ADA)