



# T&S BRASS AND BRONZE WORKS, INC.

2 Saddleback Cove / P.O. Box 1088  
Travelers Rest, SC 29690

Model No.

**S-0310**

Item No.

Travelers Rest, SC: 800-476-4103 • Simi Valley, CA: 800-423-0150 • Fax: 864-834-3518 • www.tsbrass.com

This Space for Architect/Engineer Approval

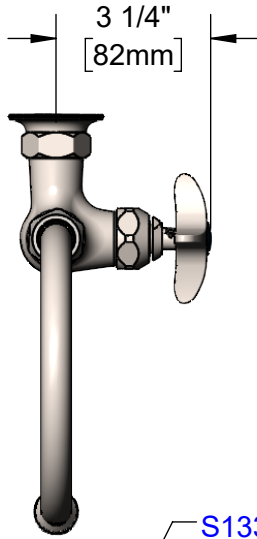
Job Name \_\_\_\_\_ Date \_\_\_\_\_

Model Specified \_\_\_\_\_ Quantity \_\_\_\_\_

Customer/Wholesaler \_\_\_\_\_

Contractor \_\_\_\_\_

Architect/Engineer \_\_\_\_\_



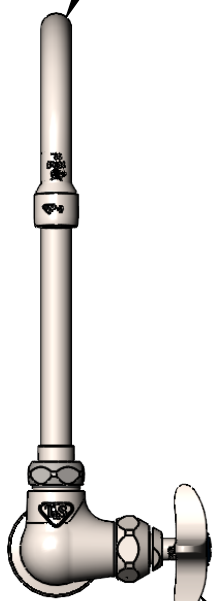
**EVERSTEEL**



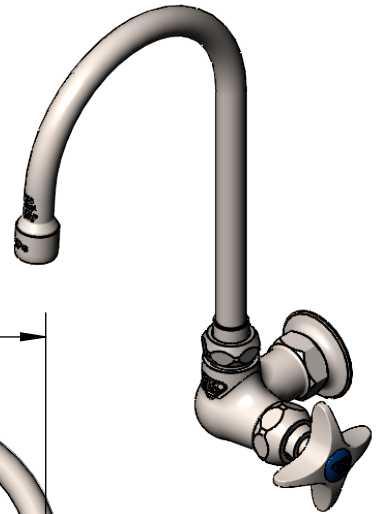
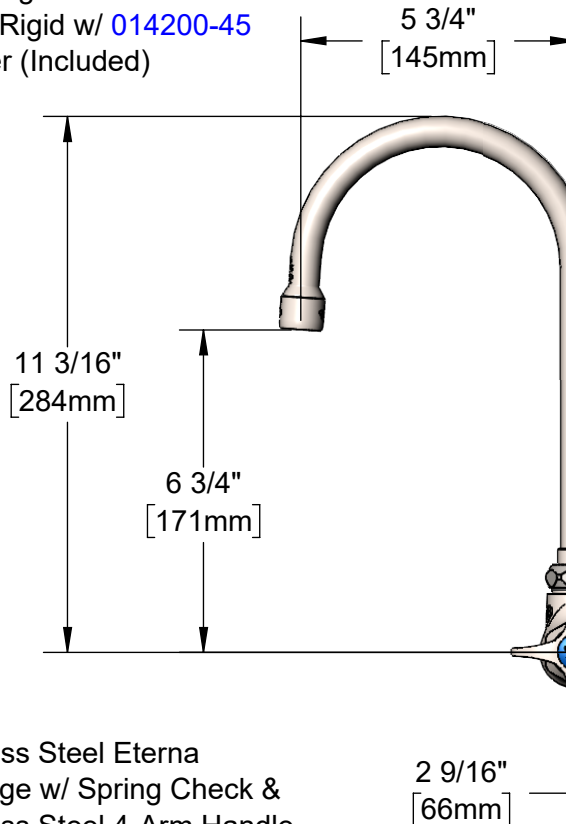
**ADA Compliant**

**S133X**

Stainless Steel Swivel Gooseneck  
w/ Stream Regulator Outlet.  
Converts to Rigid w/ **014200-45**  
Lock Washer (Included)



Stainless Steel Eterna  
Cartridge w/ Spring Check &  
Stainless Steel 4-Arm Handle  
w/ Color Coded Index



Mounting  
Surface

Ø2" [51mm]  
Flange w/  
1/2" NPT  
Female Inlet

**Product Specifications:**

Stainless Steel Single Hole Single Temperature Wall Mount Faucet, Stainless Steel Quarter-Turn Eterna Cartridge w/ Spring Check, Stainless Steel 5 1/2" Swivel/Rigid Gooseneck w/ Stream Regulator Outlet, Stainless Steel 4-Arm Handle & 1/2" NPT Female Inlet

**Product Compliance:**

ASME A112.18.1 / CSA B125.1  
NSF 61 - Section 9  
NSF 372 (Low Lead Content)  
ANSI A117.1 (ADA)



# T&S BRASS AND BRONZE WORKS, INC.

2 Saddleback Cove / P.O. Box 1088  
Travelers Rest, SC 29690

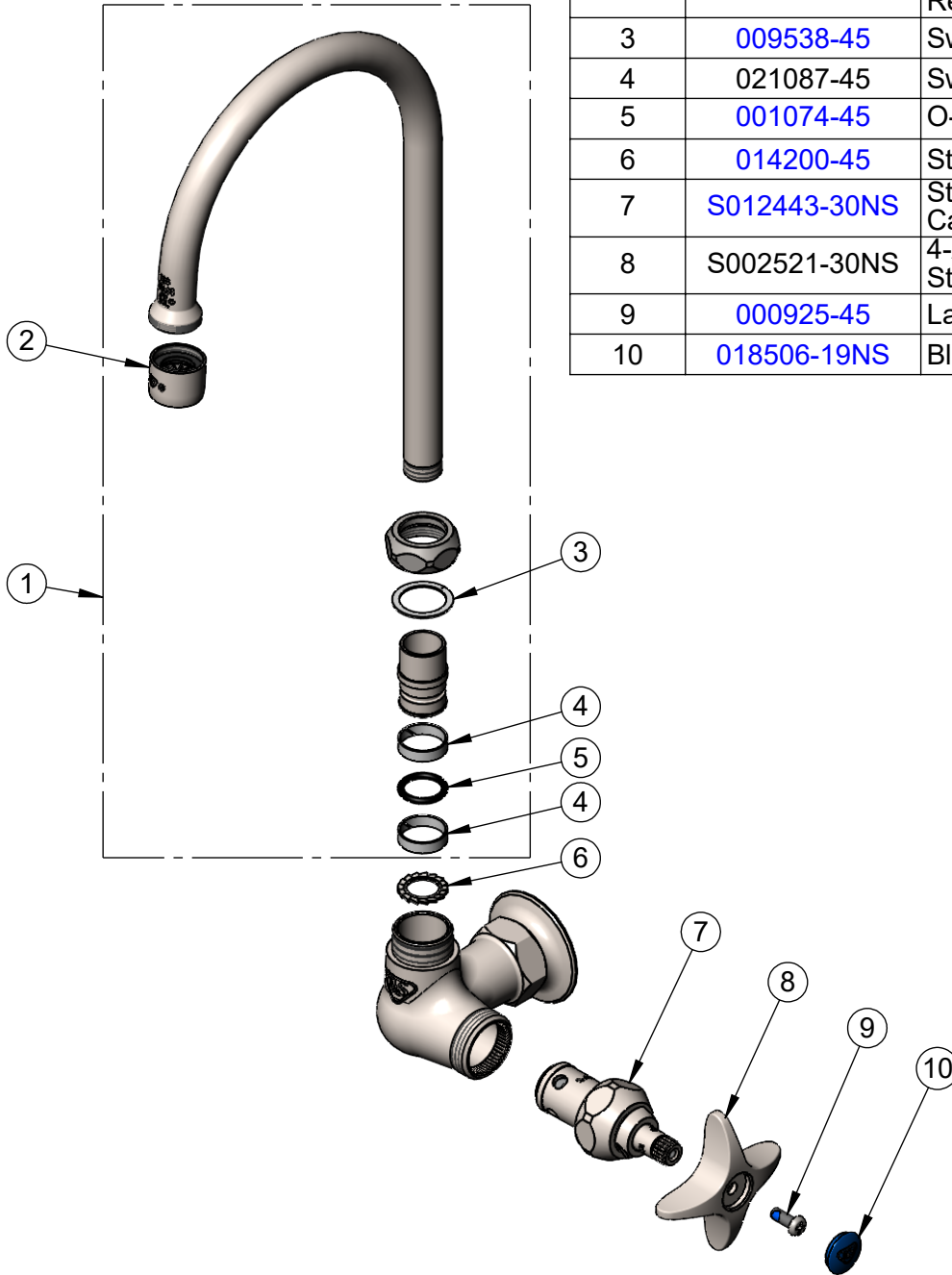
Model No.

**S-0310**

Item No.

Travelers Rest, SC: 800-476-4103 • Simi Valley, CA: 800-423-0150 • Fax: 864-834-3518 • www.tsbrass.com

| ITEM NO. | SALES NO.    | DESCRIPTION  |
|----------|--------------|--|
| 1        | S133X        | Stainless Steel Swivel Gooseneck w/ Stream Regulator Outlet        |
| 2        | S-PT         | Stainless Steel Full Flow Stream Regulator, 55/64-27               |
| 3        | 009538-45    | Swivel Washer  |
| 4        | 021087-45    | Swivel Sleeves (2)   |
| 5        | 001074-45    | O-Ring   |
| 6        | 014200-45    | Star Washer, Anti-Rotation   |
| 7        | S012443-30NS | Stainless Steel Quarter-Turn Eterna Cartridge w/ Spring Check, RTC |
| 8        | S002521-30NS | 4-Arm Handle (New Style), Stainless Steel                          |
| 9        | 000925-45    | Lab Handle Screw   |
| 10       | 018506-19NS  | Blue Button Index, Press-in  |



**Product Specifications:**

Stainless Steel Single Hole Single Temperature Wall Mount Faucet, Stainless Steel Quarter-Turn Eterna Cartridge w/ Spring Check, Stainless Steel 5 1/2" Swivel/Rigid Gooseneck w/ Stream Regulator Outlet, Stainless Steel 4-Arm Handle & 1/2" NPT Female Inlet

**Product Compliance:**

ASME A112.18.1 / CSA B125.1  
NSF 61 - Section 9  
NSF 372 (Low Lead Content)  
ANSI A117.1 (ADA)