



T&S BRASS AND BRONZE WORKS, INC.

2 Saddleback Cove / P.O. Box 1088
Travelers Rest, SC 29690

Model No.

S-0231-U12

Item No.

Travelers Rest, SC: 800-476-4103 • Simi Valley, CA: 800-423-0150 • Fax: 864-834-3518 • www.tsbrass.com

EVERSTEEL™



ADA Compliant

This Space for Architect/Engineer Approval

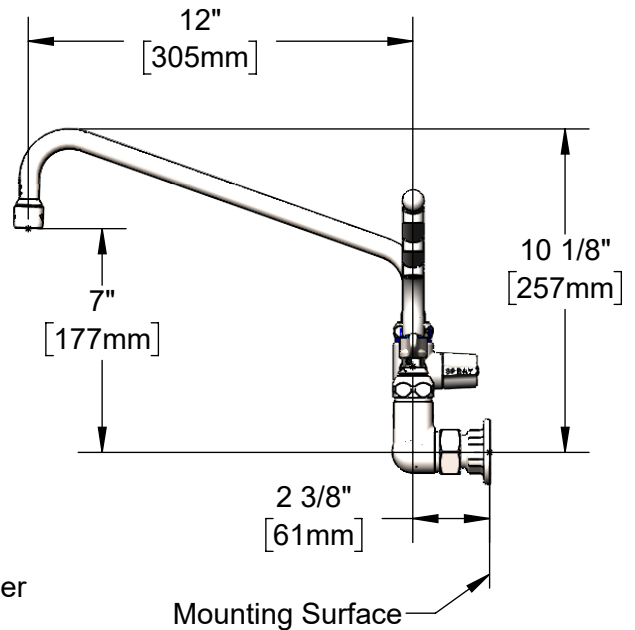
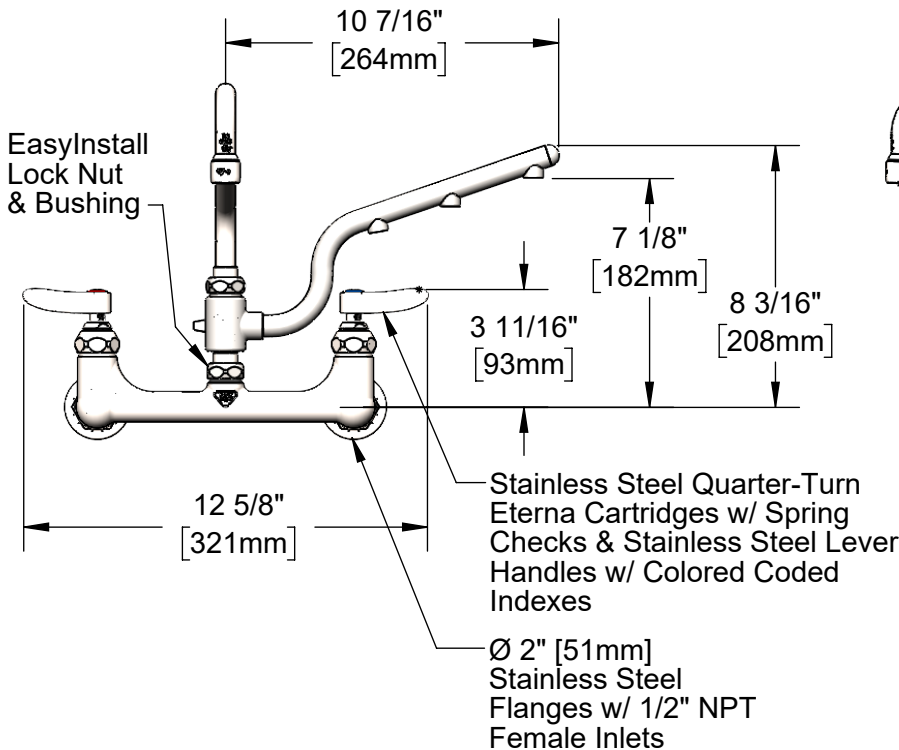
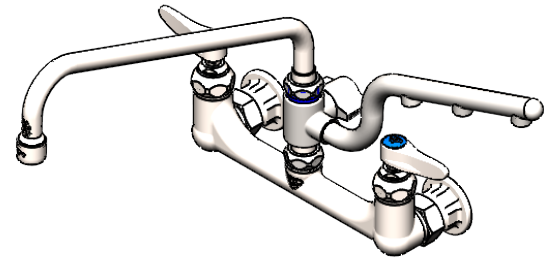
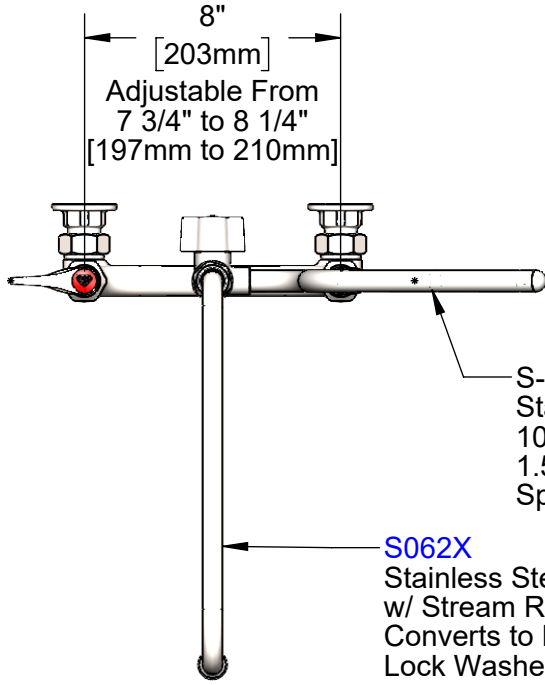
Job Name _____ Date _____

Model Specified _____ Quantity _____

Customer/Wholesaler _____

Contractor _____

Architect/Engineer _____



Product Specifications:

8" Stainless Steel Wall Mount Mixing Faucet w/ SS Quarter-Turn Eterna Cartridges w/ Spring Checks, SS Lever Handles, SS 12" Swing Nozzle, SS 1.5 GPM 10" ULTRARINSE Multiple Tip Spray Arm & SS 1/2" NPT Female Inlets

Product Compliance:

ASME A112.18.1 / CSA B125.1
NSF 61 - Section 9
NSF 372 (Low Lead Content)
ANSI A117.1 (ADA)



T&S BRASS AND BRONZE WORKS, INC.

2 Saddleback Cove / P.O. Box 1088
Travelers Rest, SC 29690

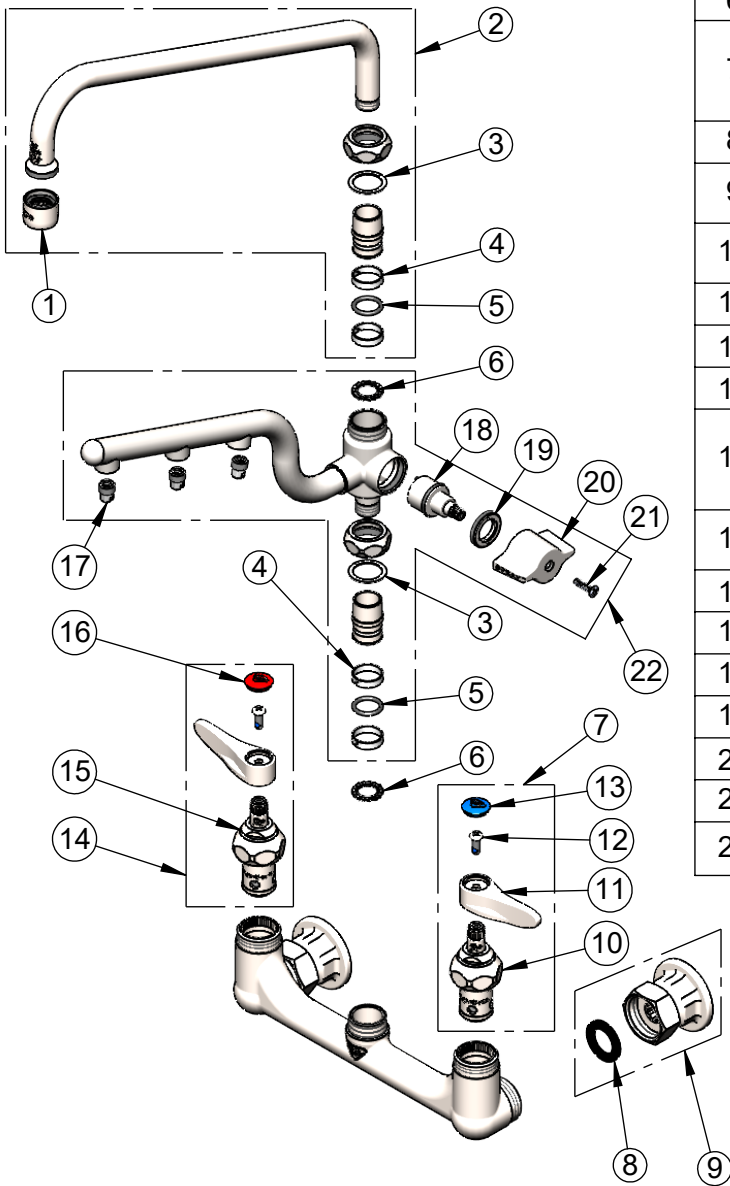
Model No.

S-0231-U12

Item No.

Travelers Rest, SC: 800-476-4103 • Simi Valley, CA: 800-423-0150 • Fax: 864-834-3518 • www.tsbrass.com

| ITEM NO. | SALES NO. | DESCRIPTION |
|----------|--------------|--|
| 1 | S-PT | Stainless Steel Full Flow Stream Regulator, 55/64-27 |
| 2 | S062X | Stainless Steel 12" Swing Nozzle |
| 3 | 009538-45 | Swivel Washer |
| 4 | 021087-45 | Swivel Sleeves (2) |
| 5 | 001074-45 | O-Ring |
| 6 | 014200-45 | Star Washer, Anti-Rotation |
| 7 | S002711-30NS | Stainless Steel Quarter-Turn Eterna Cartridge w/ Spring Check, Handle, Blue Index & Screw, LTC |
| 8 | 010569-45 | Washer, Inlet Flange Coupling (UK) |
| 9 | S00AA | Stainless Steel 1/2" NPT Female Eccentric Flange |
| 10 | S012442-30NS | Stainless Steel Quarter-Turn Eterna Cartridge w/ Spring Check, LTC |
| 11 | S001638-30NS | Lever Handle (New Style) |
| 12 | 000925-45 | Lab Handle Screw |
| 13 | 018506-19NS | Blue Button Index, Press-in |
| 14 | S002712-30NS | Stainless Steel Quarter-Turn Eterna Cartridge w/ Spring Check, Handle, Red Index & Screw, RTC |
| 15 | S012443-30NS | Stainless Steel Quarter-Turn Eterna Cartridge w/ Spring Check, RTC |
| 16 | 001193-19NS | Red Button Index, Press-in |
| 17 | 020667-25 | 0.5 GPM Spray Tip, Stainless Steel |
| 18 | S020641-20 | ULTRARINSE SS Diverter Cartridge |
| 19 | S020645-20 | Stainless Steel Diverter Cartridge Nut |
| 20 | S020642-30 | ULTRARINSE SS Diverter Handle |
| 21 | 020669-45 | M4 Screw, 17mm Long |
| 22 | S-U12-KIT | ULTRARINSE 10" SS Swivel Spray Arm, 1.5 GPM |



Product Specifications:

8" Stainless Steel Wall Mount Mixing Faucet w/ SS Quarter-Turn Eterna Cartridges w/ Spring Checks, SS Lever Handles, SS 12" Swing Nozzle, SS 1.5 GPM 10" ULTRARINSE Multiple Tip Spray Arm & SS 1/2" NPT Female Inlets

Product Compliance:

ASME A112.18.1 / CSA B125.1
NSF 61 - Section 9
NSF 372 (Low Lead Content)
ANSI A117.1 (ADA)