



**T&S BRASS AND BRONZE WORKS, INC.**  
 2 Saddleback Cove / P.O. Box 1088  
 Travelers Rest, SC 29690

Model No.

**S-0230-LN**

Item No.

Travelers Rest, SC: 800-476-4103 • Simi Valley, CA: 800-423-0150 • Fax: 864-834-3518 • www.tsbrass.com



**ADA Compliant**

**EVERSTEEL™**

This Space for Architect/Engineer Approval

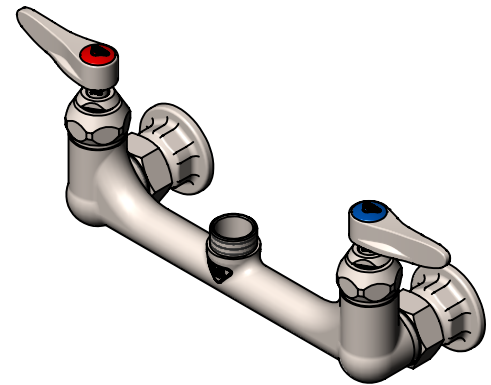
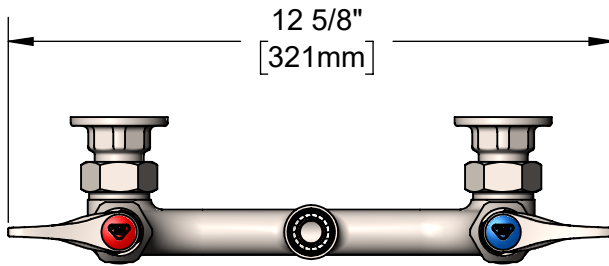
Job Name \_\_\_\_\_ Date \_\_\_\_\_

Model Specified \_\_\_\_\_ Quantity \_\_\_\_\_

Customer/Wholesaler \_\_\_\_\_

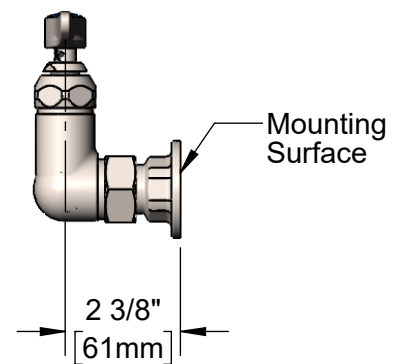
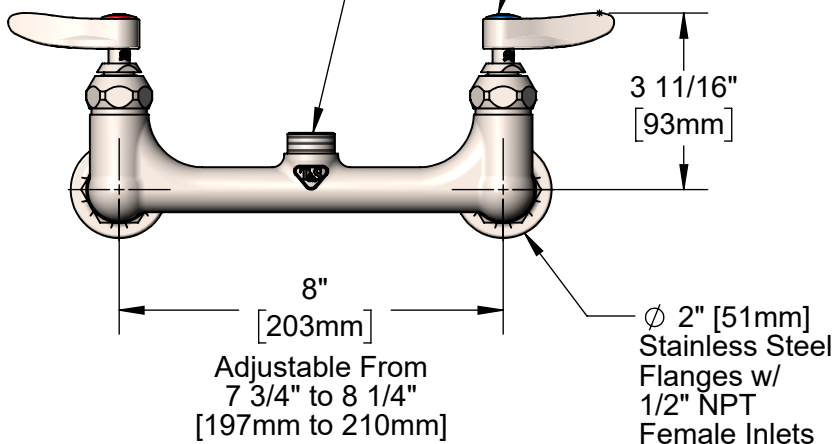
Contractor \_\_\_\_\_

Architect/Engineer \_\_\_\_\_



Swivel Outlet Accepts  
 Standard Stainless Steel  
 T&S Swing Nozzles.  
 Converts to Rigid w/  
[014200-45](#)  
 Lock Washer (Included)

Stainless Steel Quarter-Turn  
 Eterna Cartridges w/  
 Spring Checks &  
 Stainless Steel Lever Handles  
 w/ Color Coded Indexes



**Product Specifications:**

Stainless Steel 8" Wall Mount Mixing Faucet, Less Nozzle, Quarter-Turn  
 Eterna Cartridges w/ Spring Checks, Lever Handles & 1/2" NPT Female Inlets

**Product Compliance:**

ASME A112.18.1 / CSA B125.1  
 NSF 61 - Section 9  
 NSF 372 (Low Lead Content)  
 ANSI A117.1 (ADA)



# T&S BRASS AND BRONZE WORKS, INC.

2 Saddleback Cove / P.O. Box 1088  
Travelers Rest, SC 29690

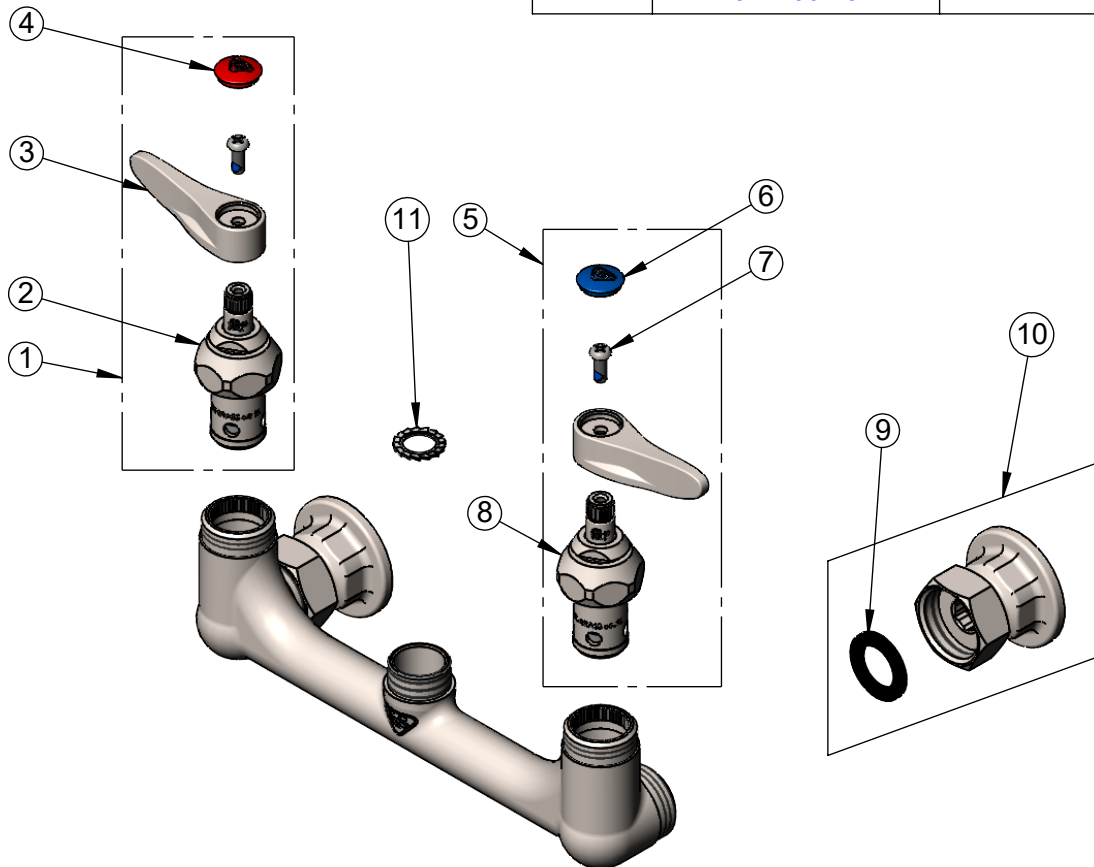
Model No.

**S-0230-LN**

Item No.

Travelers Rest, SC: 800-476-4103 • Simi Valley, CA: 800-423-0150 • Fax: 864-834-3518 • www.tsbrass.com

ITEM NO.	SALES NO.	DESCRIPTION
1	S002712-30NS	Stainless Steel Quarter-Turn Eterna Cartridge w/ Spring Check, Handle, Red Index & Screw, RTC
2	S012443-30NS	Stainless Steel Quarter-Turn Eterna Cartridge w/ Spring Check, RTC
3	S001638-30NS	Stainless Steel Lever Handle (New Style)
4	001193-19NS	Red Button Index, Press-in
5	S002711-30NS	Stainless Steel Quarter-Turn Eterna Cartridge w/ Spring Check, Handle, Blue Index & Screw, LTC
6	018506-19NS	Blue Button Index, Press-in
7	000925-45	Lab Handle Screw
8	S012442-30NS	Stainless Steel Quarter-Turn Eterna Cartridge w/ Spring Check, LTC
9	010569-45	Washer, Inlet Flange Coupling (UK)
10	S00AA	Stainless Steel 1/2" NPT Female Eccentric Flange
11	014200-45	Star Washer, Anti-Rotation



**Product Specifications:**

Stainless Steel 8"Wall Mount Mixing Faucet, Less Nozzle, Quarter-Turn Eterna Cartridges w/ Spring Checks, Lever Handles & 1/2" NPT Female Inlets

**Product Compliance:**

ASME A112.18.1 / CSA B125.1  
NSF 61 - Section 9  
NSF 372 (Low Lead Content)  
ANSI A117.1 (ADA)