



T&S BRASS AND BRONZE WORKS, INC.

2 Saddleback Cove / P.O. Box 1088
Travelers Rest, SC 29690

Model No.

S-0221

Item No.

Travelers Rest, SC: 800-476-4103 • Simi Valley, CA: 800-423-0150 • Fax: 864-834-3518 • www.tsbrass.com

EVERSTEEL™



ADA Compliant

This Space for Architect/Engineer Approval

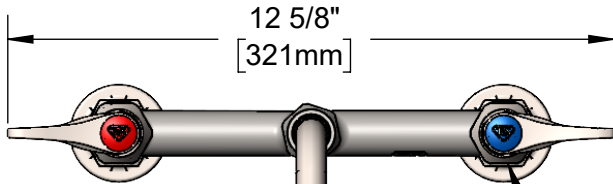
Job Name _____ Date _____

Model Specified _____ Quantity _____

Customer/Wholesaler _____

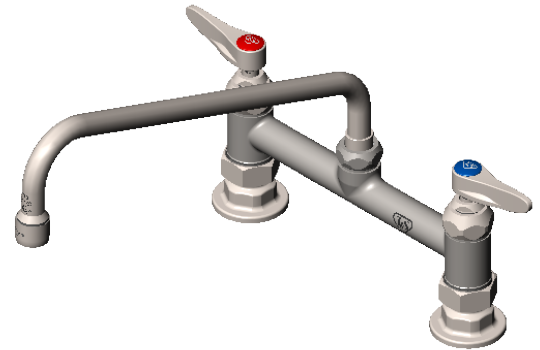
Contractor _____

Architect/Engineer _____

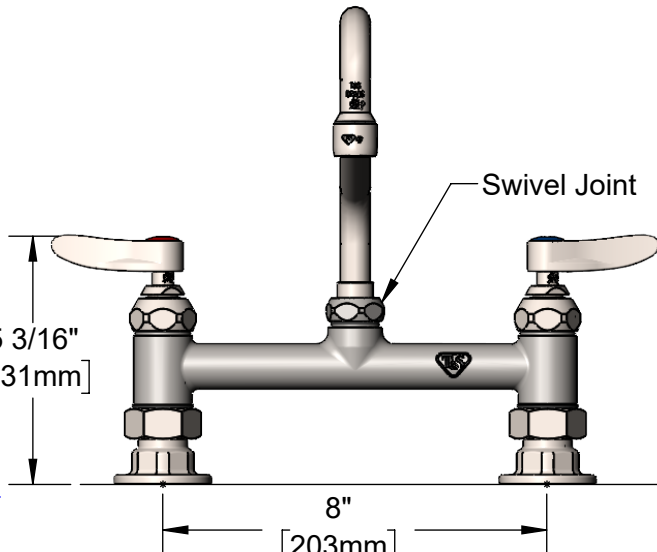


12 5/8"
[321mm]

Stainless Steel
Quarter-Turn
Eterna Cartridges w/
Spring Checks
& Lever Handles
w/ Color Coded
Indexes



S062X
Stainless Steel
12" Swing Nozzle w/
Stream Regulator Outlet.
Converts to Rigid w/
014200-45 Lock Washer
(Included)

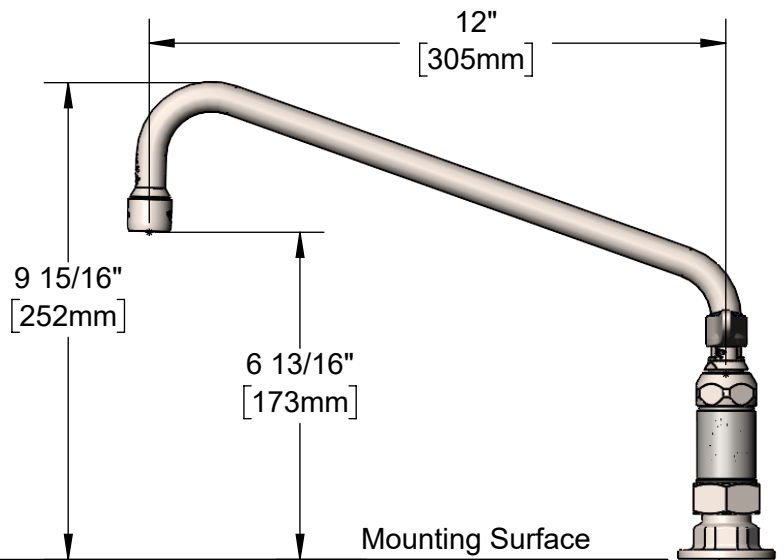


5 3/16"
[131mm]

Swivel Joint

8"
[203mm]

Adjustable From
7 3/4" to 8 1/4"
[197mm to 210mm]



12"
[305mm]

9 15/16"
[252mm]

6 13/16"
[173mm]

Mounting Surface

Ø 2" [51mm]
Stainless Steel
Flanges w/
1/2" NPT
Female Inlets

Product Specifications:

Stainless Steel 8" Deck Mount Mixing Faucet, Quarter-Turn Eterna Cartridges w/ Spring Checks, Lever Handles, 12" Swing Nozzle w/ Stream Regulator Outlet & 1/2" NPT Female Inlets

Product Compliance:

ASME A112.18.1 / CSA B125.1
NSF 61 - Section 9
NSF 372 (Low Lead Content)
ANSI A117.1 (ADA)



T&S BRASS AND BRONZE WORKS, INC.

2 Saddleback Cove / P.O. Box 1088
Travelers Rest, SC 29690

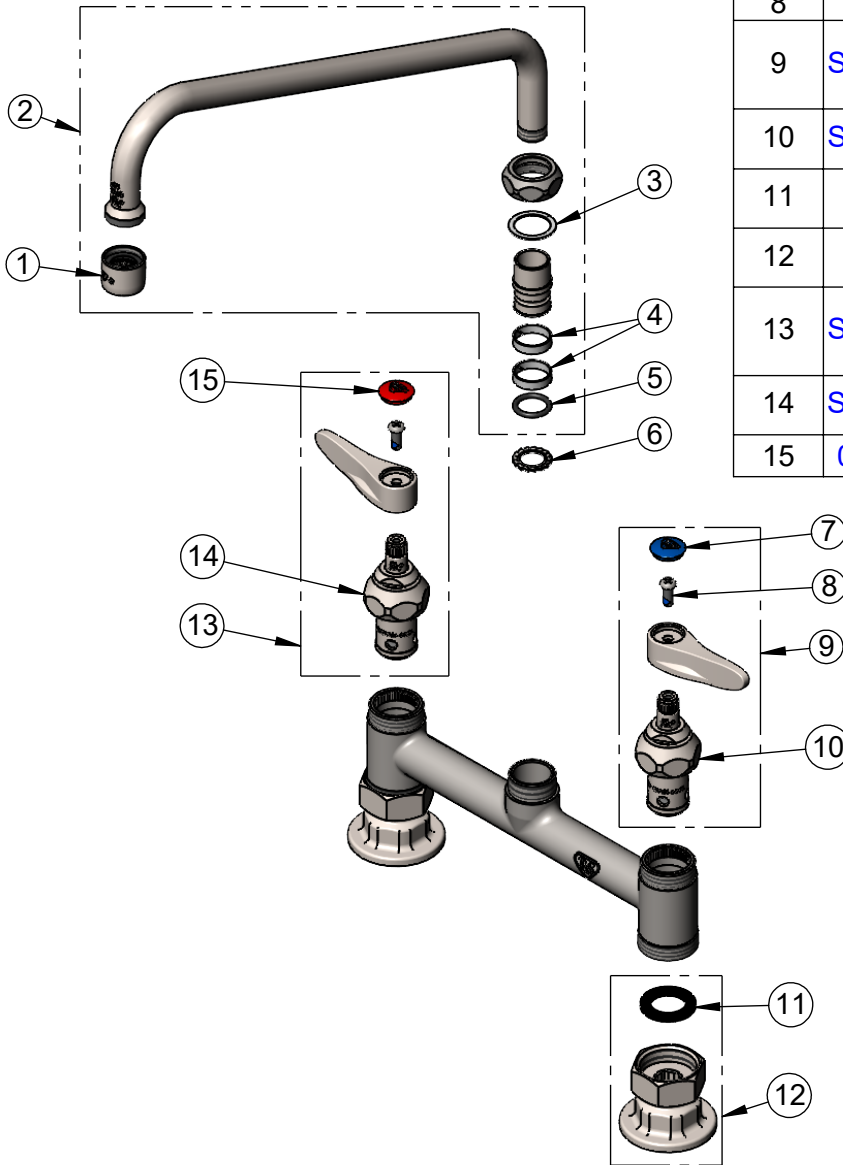
Model No.

S-0221

Item No.

Travelers Rest, SC: 800-476-4103 • Simi Valley, CA: 800-423-0150 • Fax: 864-834-3518 • www.tsbrass.com

| ITEM NO. | SALES NO. | DESCRIPTION |
|----------|--------------|---|
| 1 | S-PT | SS Full Flow Stream Regulator, 55/64-27 |
| 2 | S062X | SS 12" Swing Nozzle |
| 3 | 009538-45 | Swivel Washer |
| 4 | 021087-45 | Swivel Sleeves (2) |
| 5 | 001074-45 | O-Ring |
| 6 | 014200-45 | Star Washer, Anti-Rotation |
| 7 | 018506-19NS | Blue Button Index, Press-in |
| 8 | 000925-45 | Lab Handle Screw |
| 9 | S002711-30NS | SS Quarter-Turn Eterna Cartridge w/ Spring Check, Handle, Blue Index & Screw, LTC |
| 10 | S012442-30NS | SS Quarter-Turn Eterna Cartridge w/ Spring Check, LTC |
| 11 | 010569-45 | Washer, Inlet Flange Coupling (UK) |
| 12 | S00AA | SS 1/2" NPT Female Eccentric Flange |
| 13 | S002712-30NS | SS Quarter-Turn Eterna Cartridge w/ Spring Check, Handle, Red Index & Screw, RTC |
| 14 | S012443-30NS | SS Quarter-Turn Eterna Cartridge w/ Spring Check, RTC |
| 15 | 001193-19NS | Red Button Index, Press-in |



Product Specifications:

Stainless Steel 8" Deck Mount Mixing Faucet, Quarter-Turn Eterna Cartridges w/ Spring Checks, Lever Handles, 12" Swing Nozzle w/ Stream Regulator Outlet & 1/2" NPT Female Inlets

Product Compliance:

ASME A112.18.1 / CSA B125.1
NSF 61 - Section 9
NSF 372 (Low Lead Content)
ANSI A117.1 (ADA)