



T&S BRASS AND BRONZE WORKS, INC.

2 Saddleback Cove / P.O. Box 1088
Travelers Rest, SC 29690

Model No.

S-0220-U18-CR

Item No.

Travelers Rest, SC: 800-476-4103 • Simi Valley, CA: 800-423-0150 • Fax: 864-834-3518 • www.tsbrass.com

EVERSTEEL



ADA Compliant

This Space for Architect/Engineer Approval

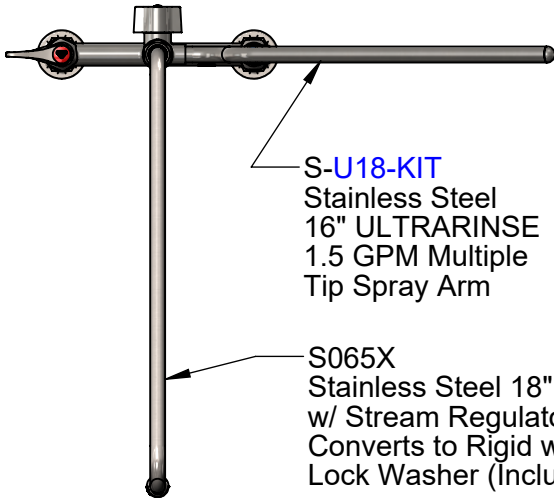
Job Name _____ Date _____

Model Specified _____ Quantity _____

Customer/Wholesaler _____

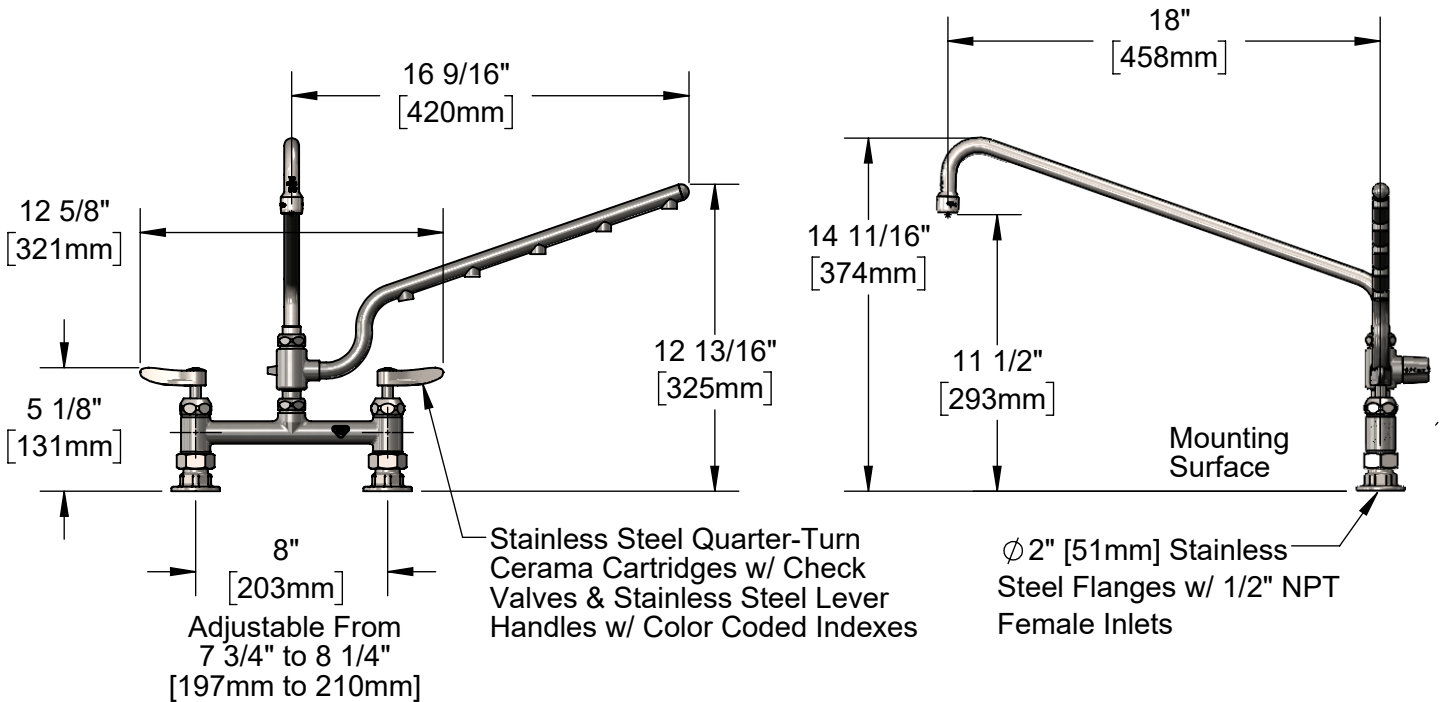
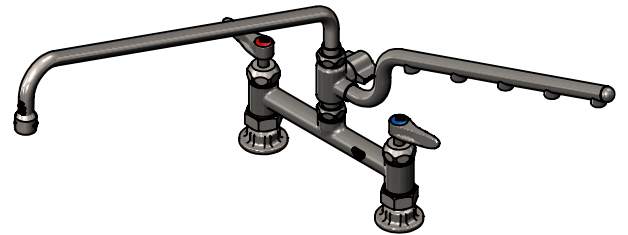
Contractor _____

Architect/Engineer _____



S-U18-KIT
Stainless Steel
16" ULTRARINSE
1.5 GPM Multiple
Tip Spray Arm

S065X
Stainless Steel 18" Swing Nozzle
w/ Stream Regulator Outlet
Converts to Rigid w/ **014200-45**
Lock Washer (Included)



12 5/8"
[321mm]

16 9/16"
[420mm]

5 1/8"
[131mm]

12 13/16"
[325mm]

8"
[203mm]

Adjustable From
7 3/4" to 8 1/4"
[197mm to 210mm]

Stainless Steel Quarter-Turn
Cerama Cartridges w/ Check
Valves & Stainless Steel Lever
Handles w/ Color Coded Indexes

18"
[458mm]

14 11/16"
[374mm]

11 1/2"
[293mm]

Mounting
Surface

Ø2" [51mm] Stainless
Steel Flanges w/ 1/2" NPT
Female Inlets

Product Specifications:

8" Stainless Steel Deck Mount Mixing Faucet w/ SS Quarter-Turn Cerama Cartridges w/ Check Valves, SS Lever Handles, SS 18" Swing Nozzle w/ Stream Regulator Outlet, SS 1.5 GPM 16" ULTRARINSE Multiple Tip Spray Arm & SS 1/2" NPT Female Inlets

Product Compliance:

ASME A112.18.1 / CSA B125.1
NSF 61 - Section 9
NSF 372 (Low Lead Content)
ANSI A117.1 (ADA)



T&S BRASS AND BRONZE WORKS, INC.

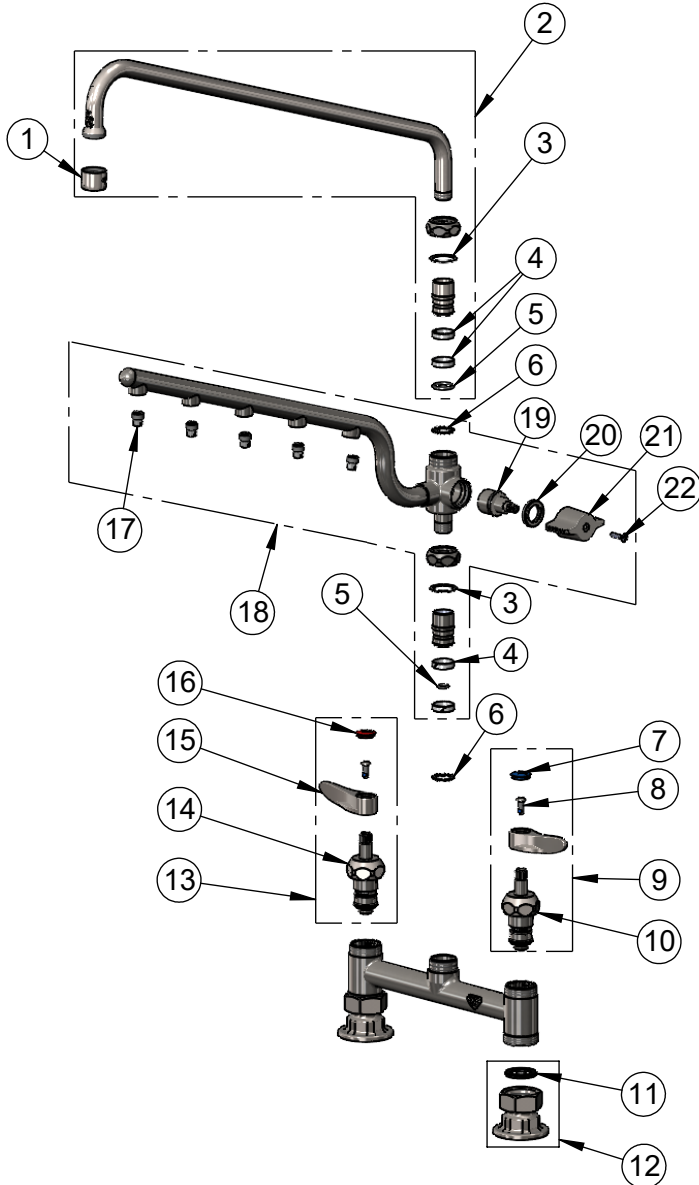
2 Saddleback Cove / P.O. Box 1088
Travelers Rest, SC 29690

Model No.

S-0220-U18-CR

Item No.

Travelers Rest, SC: 800-476-4103 • Simi Valley, CA: 800-423-0150 • Fax: 864-834-3518 • www.tsbrass.com



ITEM NO.	SALES NO.	DESCRIPTION
1	S-PT	Stainless Steel Full Flow Stream Regulator, 55/64-27
2	S065X	Stainless Steel 18" Swing Nozzle
3	009538-45	Swivel Washer
4	021087-45	Swivel Sleeves (2)
5	001074-45	O-Ring, Size 7.5mm x 2mm, EPDM
6	014200-45	Star Washer, Anti-Rotation
7	018506-19NS	Blue Button Index, Press-in
8	000925-45	Lab Handle Screw
9	S012447-30NS	Stainless Steel Quarter-Turn Cerama Cartridge w/ Check Valve, Handle, Blue Index & Screw, LTC
10	S012395-30NS	Stainless Steel Quarter-Turn Cerama Cartridge w/ Check Valve, LTC
11	010569-45	Washer, Inlet Flange Coupling (UK)
12	S00AA	Stainless Steel 1/2" NPT Female Eccentric Flange
13	S012446-30NS	Stainless Steel Quarter-Turn Cerama Cartridge w/ Check Valve, Handle, Blue Index & Screw, RTC
14	S012394-30NS	Stainless Steel Quarter-Turn Cerama Cartridge w/ Check Valve, RTC
15	S001638-30NS	Stainless Steel Lever Handle (New Style)
16	001193-19NS	Red Button Index, Press-in
17	020666-25	0.3 GPM Spray Tip, SS
18	S-U18-KIT	ULTRARINSE 16" SS Tip Swivel Spray Arm, 1.5 GPM
19	S020641-20	ULTRARINSE SS Diverter Cartridge
20	S020645-20	SS Diverter Cartridge Nut
21	S020642-30	ULTRARINSE SS Diverter Handle
22	020669-45	M4 Screw, 17mm Long

Product Specifications:

8" Stainless Steel Deck Mount Mixing Faucet w/ SS Quarter-Turn Cerama Cartridges w/ Check Valves, SS Lever Handles, SS 18" Swing Nozzle w/ Stream Regulator Outlet, SS 1.5 GPM 16" ULTRARINSE Multiple Tip Spray Arm & SS 1/2" NPT Female Inlets

Product Compliance:

ASME A112.18.1 / CSA B125.1
NSF 61 - Section 9
NSF 372 (Low Lead Content)
ANSI A117.1 (ADA)