



# T&S BRASS AND BRONZE WORKS, INC.

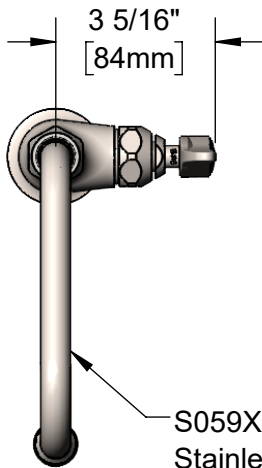
2 Saddleback Cove / P.O. Box 1088  
Travelers Rest, SC 29690

Model No.

**S-0207**

Item No.

Travelers Rest, SC: 800-476-4103 • Simi Valley, CA: 800-423-0150 • Fax: 864-834-3518 • www.tsbrass.com



**EVERSTEEL**



**ADA Compliant**

This Space for Architect/Engineer Approval

Job Name \_\_\_\_\_ Date \_\_\_\_\_

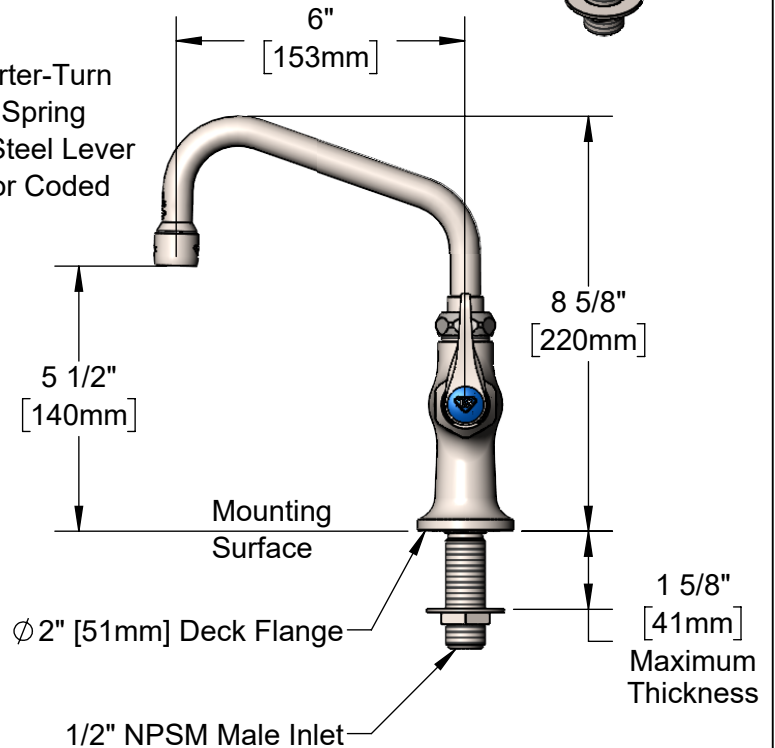
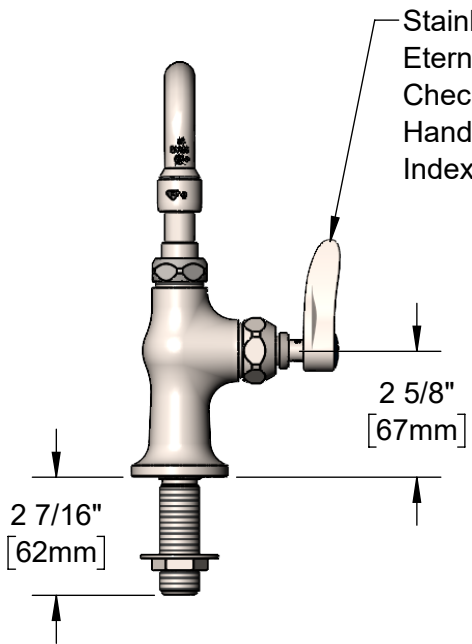
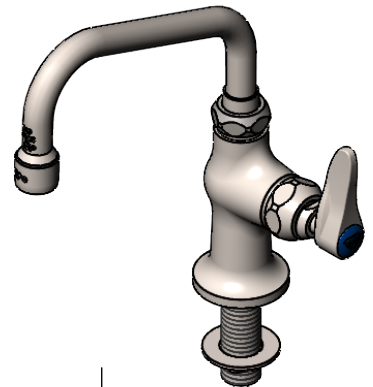
Model Specified \_\_\_\_\_ Quantity \_\_\_\_\_

Customer/Wholesaler \_\_\_\_\_

Contractor \_\_\_\_\_

Architect/Engineer \_\_\_\_\_

S059X  
Stainless Steel 6" Swing Nozzle  
w/ Stream Regulator Outlet.  
Converts to Rigid w/ 014200-45  
Lock Washer (Included)



Rough-In Requirement:  
Ø 1" [25mm] Mounting Hole

Product Specifications:  
Stainless Steel Single Hole Single Temperature Deck Mount Faucet, Stainless Steel Quarter-Turn Eterna Cartridge w/ Spring Check, Stainless Steel Lever Handle, Stainless Steel 6" Swing Nozzle & 1/2" NPSM Male Inlet

Product Compliance:  
ASME A112.18.1 / CSA B125.1  
NSF 61 - Section 9  
NSF 372 (Low Lead Content)  
ANSI A117.1 (ADA)



# T&S BRASS AND BRONZE WORKS, INC.

2 Saddleback Cove / P.O. Box 1088  
Travelers Rest, SC 29690

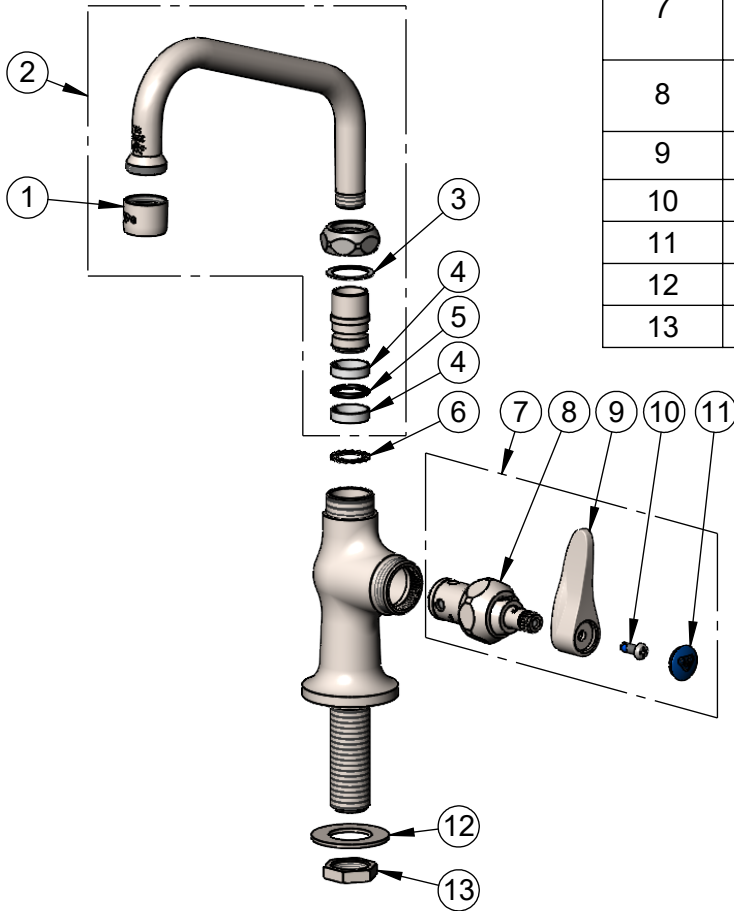
Model No.

**S-0207**

Item No.

Travelers Rest, SC: 800-476-4103 • Simi Valley, CA: 800-423-0150 • Fax: 864-834-3518 • www.tsbrass.com

ITEM NO.	SALES NO.	DESCRIPTION
1	S-PT	Full Flow Stream Regulator, 55/64-27
2	S059X	Stainless Steel 6" Swing Nozzle
3	009538-45	Swivel Washer
4	011429-45	Swivel Sleeves (2)
5	001074-45	O-Ring
6	014200-45	Star Washer, Anti-Rotation
7	S019639-30	Stainless Steel Quarter-Turn Eterna Cartridge RTC w/ Spring Check, Handle, Blue Index & Screw
8	S012443-30NS	Stainless Steel Quarter-Turn Eterna Cartridge w/ Spring Check, RTC
9	S001638-30NS	Lever Handle (New Style)
10	000925-45	Lab Handle Screw
11	018506-19NS	Blue Button Index, Press-in
12	S000999-20	Stainless Steel Lock Washer
13	S002954-20	Shank Lock Nut



**Product Specifications:**

Stainless Steel Single Hole Single Temperature Deck Mount Faucet, Stainless Steel Quarter-Turn Eterna Cartridge w/ Spring Check, Stainless Steel Lever Handle, Stainless Steel 6" Swing Nozzle & 1/2" NPSM Male Inlet

**Product Compliance:**

ASME A112.18.1 / CSA B125.1  
NSF 61 - Section 9  
NSF 372 (Low Lead Content)  
ANSI A117.1 (ADA)