



**T&S BRASS AND BRONZE WORKS, INC.**  
 2 Saddleback Cove / P.O. Box 1088  
 Travelers Rest, SC 29690

Model No.  
**S-0205-LN**

Item No.

Travelers Rest, SC: 800-476-4103 • Simi Valley, CA: 800-423-0150 • Fax: 864-834-3518 • www.tsbrass.com

**EVERSTEEL**



**ADA Compliant**

This Space for Architect/Engineer Approval

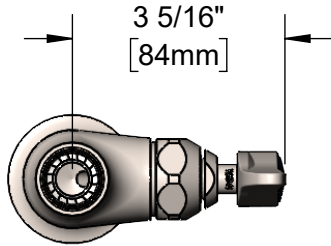
Job Name \_\_\_\_\_ Date \_\_\_\_\_

Model Specified \_\_\_\_\_ Quantity \_\_\_\_\_

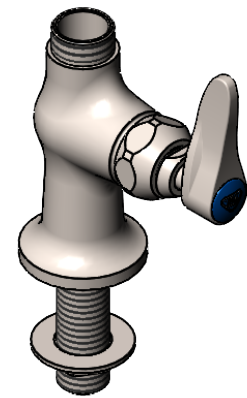
Customer/Wholesaler \_\_\_\_\_

Contractor \_\_\_\_\_

Architect/Engineer \_\_\_\_\_

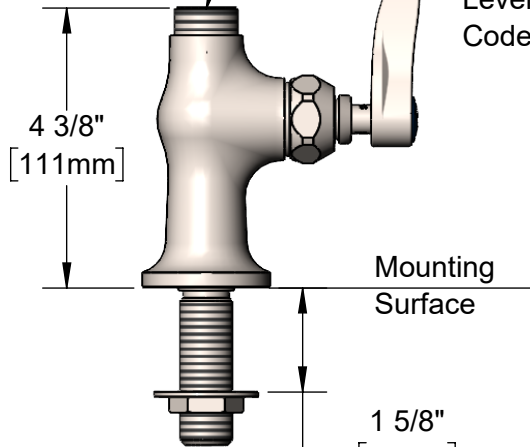


3 5/16"  
[84mm]



Swivel Outlet Accepts Standard  
T&S Stainless Steel Swing  
Nozzles. Converts to Rigid w/  
[014200-45](#) Lock Washer  
(Included)

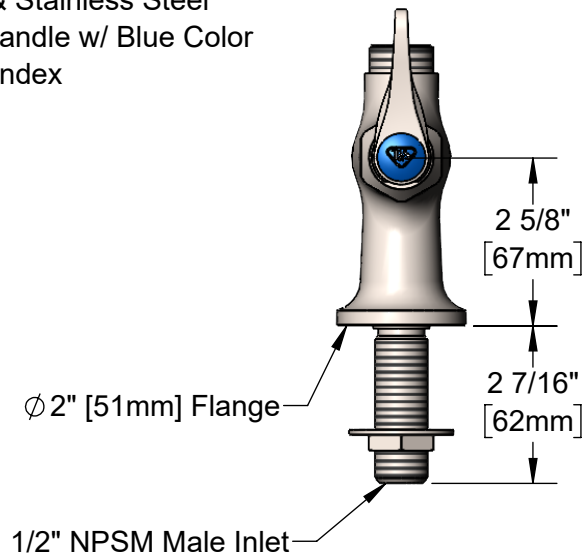
Stainless Steel Quarter-Turn  
Eterna Cartridge w/ Spring  
Check & Stainless Steel  
Lever Handle w/ Blue Color  
Coded Index



4 3/8"  
[111mm]

Mounting  
Surface

1 5/8"  
[41mm]  
Maximum  
Thickness



2 5/8"  
[67mm]

Ø 2" [51mm] Flange

2 7/16"  
[62mm]

1/2" NPSM Male Inlet

Rough-In Requirement:  
 Ø 1" [25mm] Mounting Hole

Product Specifications:  
 Stainless Steel Single Hole Single Temperature Deck Mount Faucet, Stainless  
 Steel Quarter-Turn Eterna Cartridge w/ Spring Check, Stainless Steel Lever  
 Handle & 1/2" NPSM Male Inlet, Less Nozzle

Product Compliance:  
 ASME A112.18.1 / CSA B125.1  
 NSF 61 - Section 9  
 NSF 372 (Low Lead Content)  
 ANSI A117.1 (ADA)



# T&S BRASS AND BRONZE WORKS, INC.

2 Saddleback Cove / P.O. Box 1088  
Travelers Rest, SC 29690

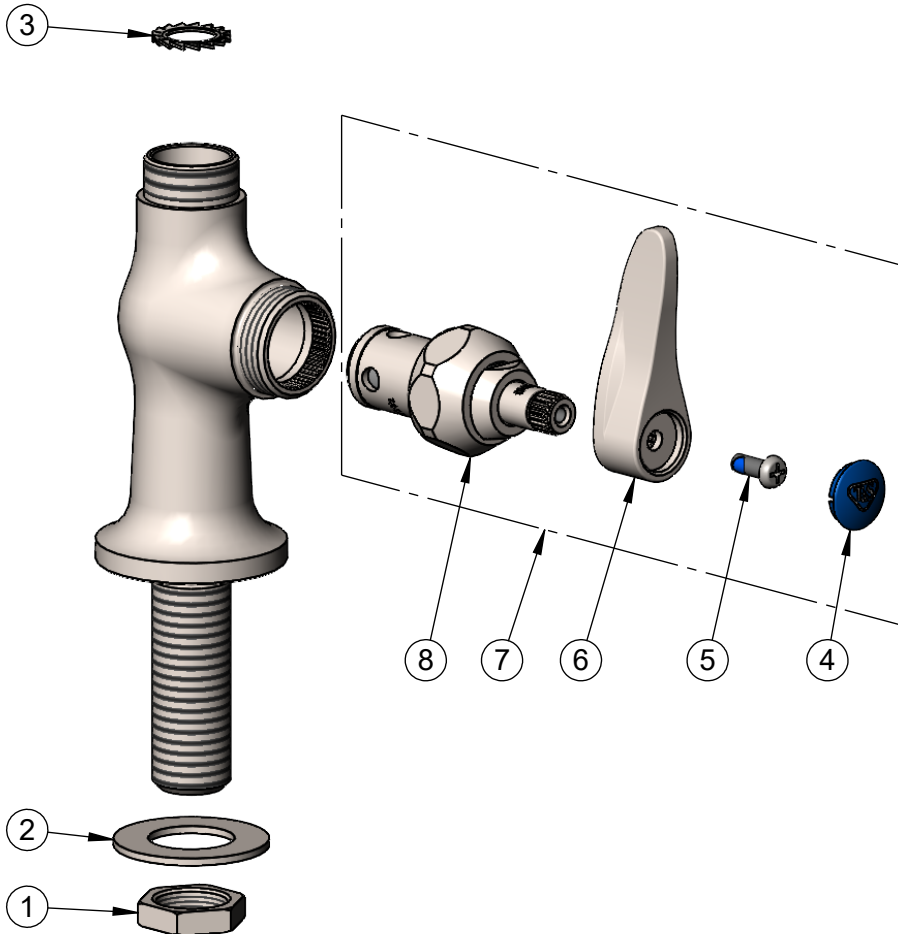
Model No.

**S-0205-LN**

Item No.

Travelers Rest, SC: 800-476-4103 • Simi Valley, CA: 800-423-0150 • Fax: 864-834-3518 • www.tsbrass.com

ITEM NO.	SALES NO.	DESCRIPTION
1	S002954-20	Shank Lock Nut
2	S000999-20	Stainless Steel Lock Washer
3	014200-45	Star Washer, Anti-Rotation
4	018506-19NS	Blue Button Index, Press-in
5	000925-45	Lab Handle Screw
6	S001638-30NS	Lever Handle (New Style)
7	S019639-30	Stainless Steel Quarter-Turn Eterna Cartridge RTC w/ Spring Check, Handle, Blue Index & Screw
8	S012443-30NS	Stainless Steel Quarter-Turn Eterna Cartridge w/ Spring Check, RTC



**Product Specifications:**

Stainless Steel Single Hole Single Temperature Deck Mount Faucet, Stainless Steel Quarter-Turn Eterna Cartridge w/ Spring Check, Stainless Steel Lever Handle & 1/2" NPSM Male Inlet, Less Nozzle

**Product Compliance:**

ASME A112.18.1 / CSA B125.1  
NSF 61 - Section 9  
NSF 372 (Low Lead Content)  
ANSI A117.1 (ADA)