



**T&S BRASS AND BRONZE WORKS, INC.**  
 2 Saddleback Cove / P.O. Box 1088  
 Travelers Rest, SC 29690

Model No.  
**S-0201-U12**

Item No.

Travelers Rest, SC: 800-476-4103 • Simi Valley, CA: 800-423-0150 • Fax: 864-834-3518 • www.tsbrass.com

**EVERSTEEL**



**ADA Compliant**

This Space for Architect/Engineer Approval

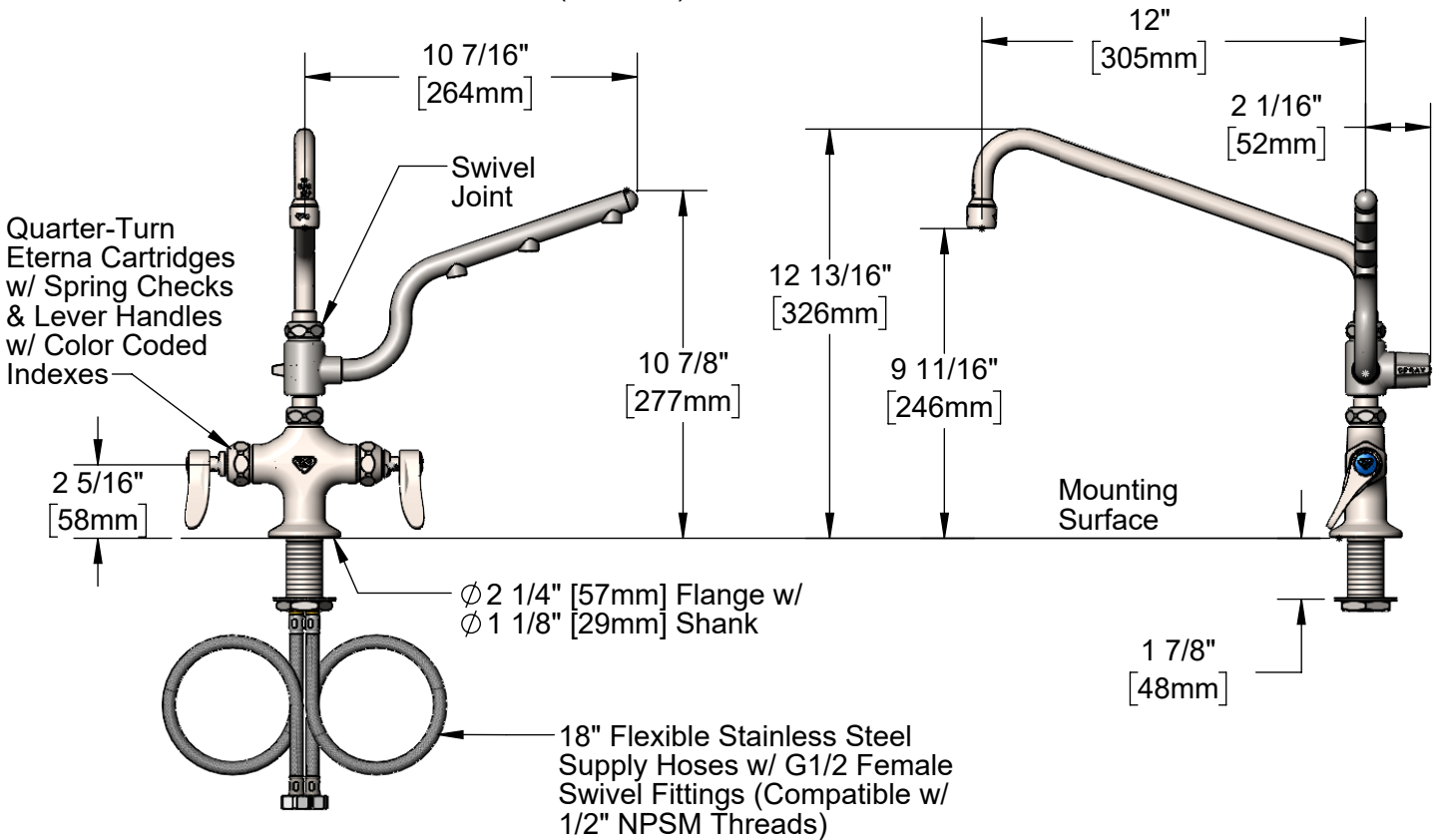
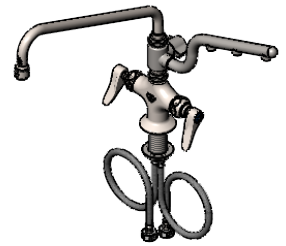
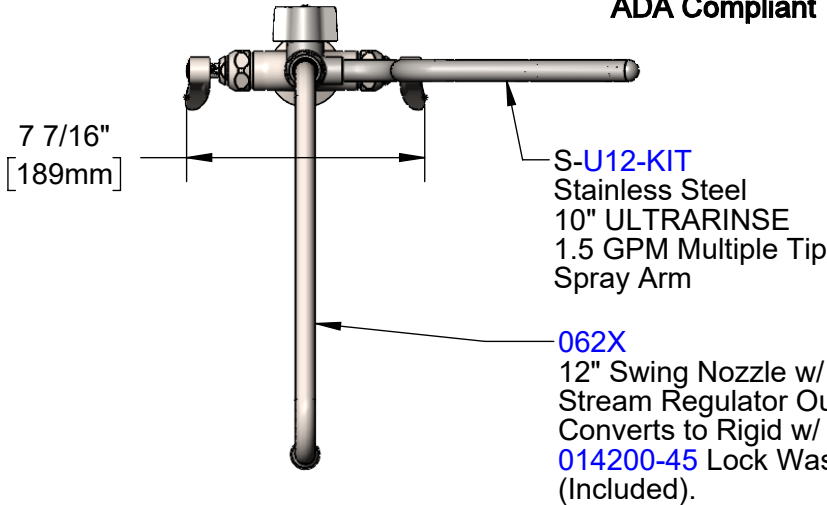
Job Name \_\_\_\_\_ Date \_\_\_\_\_

Model Specified \_\_\_\_\_ Quantity \_\_\_\_\_

Customer/Wholesaler \_\_\_\_\_

Contractor \_\_\_\_\_

Architect/Engineer \_\_\_\_\_



Rough-In Requirement:  
 Ø 1 1/2" [38mm] Mounting Hole

Product Specifications:

Stainless Steel Single Hole Deck Mount Mixing Faucet, Stainless Steel Quarter-Turn Eterna Cartridges w/ Spring Checks, Stainless Steel Lever Handles, Stainless Steel 12" Swing Nozzle, Stainless Steel 1.5 GPM 10" ULTRARINSE Multiple Tip Spray Arm & 18" Flexible Stainless Steel Supply Hoses

Product Compliance:

ASME A112.18.1 / CSA B125.1  
 NSF 61 - Section 9  
 NSF 372 (Low Lead Content)  
 ANSI A117.1 (ADA)



# T&S BRASS AND BRONZE WORKS, INC.

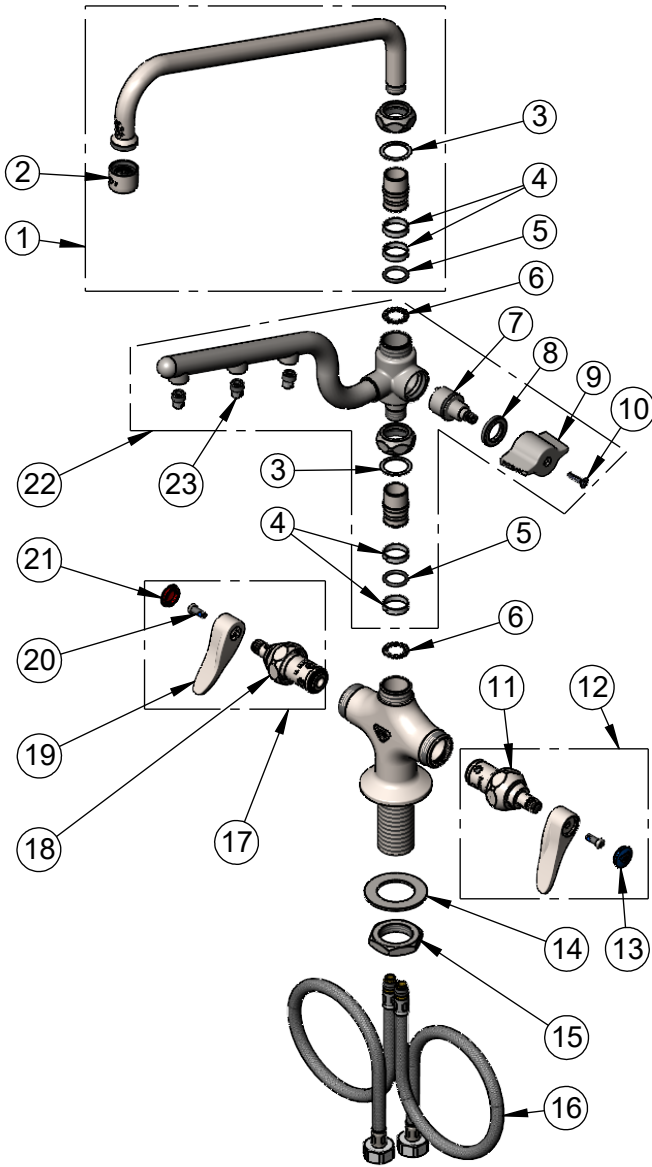
2 Saddleback Cove / P.O. Box 1088  
Travelers Rest, SC 29690

Model No.

**S-0201-U12**

Item No.

Travelers Rest, SC: 800-476-4103 • Simi Valley, CA: 800-423-0150 • Fax: 864-834-3518 • www.tsbrass.com



ITEM NO.	SALES NO.	DESCRIPTION
1	<a href="#">S062X</a>	Stainless Steel 12" Swing Nozzle
2	S-PT	Stainless Steel Full Flow Stream Regulator, 55/64-27
3	<a href="#">009538-45</a>	Swivel Washer
4	021087-45	Swivel Sleeves (2)
5	<a href="#">001074-45</a>	O-Ring
6	<a href="#">014200-45</a>	Star Washer, Anti-Rotation
7	S020641-20	ULTRARINSE SS Diverter Cartridge
8	S020645-20	SS Diverter Cartridge Nut
9	S020642-30	ULTRARINSE SS Diverter Handle
10	020669-45	M4 Screw, 17mm Long
11	<a href="#">S012442-30NS</a>	Stainless Steel Quarter-Turn Eterna Cartridge w/ Spring Check, LTC
12	<a href="#">S002711-30NS</a>	Stainless Steel Quarter-Turn Eterna Cartridge w/ Spring Check, Handle, Blue Index & Screw, LTC
13	<a href="#">018506-19NS</a>	Blue Button Index, Press-in
14	S007365-20	Lock Washer
15	S000965-20	Lock Nut
16	<a href="#">012436-45DR</a>	Flexible Connector Hose
17	<a href="#">S002712-30NS</a>	Stainless Steel Quarter-Turn Eterna Cartridge w/ Spring Check, Handle, Red Index & Screw, RTC
18	<a href="#">S012443-30NS</a>	Stainless Steel Quarter-Turn Eterna Cartridge w/ Spring Check, RTC
19	<a href="#">S001638-30NS</a>	Lever Handle (New Style)
20	<a href="#">000925-45</a>	Lab Handle Screw
21	<a href="#">001193-19NS</a>	Red Button Index, Press-in
22	<a href="#">S-U12-KIT</a>	ULTRARINSE 10" SS Swivel Spray Arm, 1.5 GPM
23	020667-25	0.5 GPM Spray Tip, SS

**Product Specifications:**

Stainless Steel Single Hole Deck Mount Mixing Faucet, Stainless Steel Quarter-Turn Eterna Cartridges w/ Spring Checks, Stainless Steel Lever Handles, Stainless Steel 12" Swing Nozzle, Stainless Steel 1.5 GPM 10" ULTRARINSE Multiple Tip Spray Arm & 18" Flexible Stainless Steel Supply Hoses

**Product Compliance:**

ASME A112.18.1 / CSA B125.1  
NSF 61 - Section 9  
NSF 372 (Low Lead Content)  
ANSI A117.1 (ADA)