



T&S BRASS AND BRONZE WORKS, INC.
 2 Saddleback Cove / P.O. Box 1088
 Travelers Rest, SC 29690

Model No.
S-0200-U18

Item No.

Travelers Rest, SC: 800-476-4103 • Simi Valley, CA: 800-423-0150 • Fax: 864-834-3518 • www.tsbrass.com

EVERSTEEL



ADA Compliant

This Space for Architect/Engineer Approval

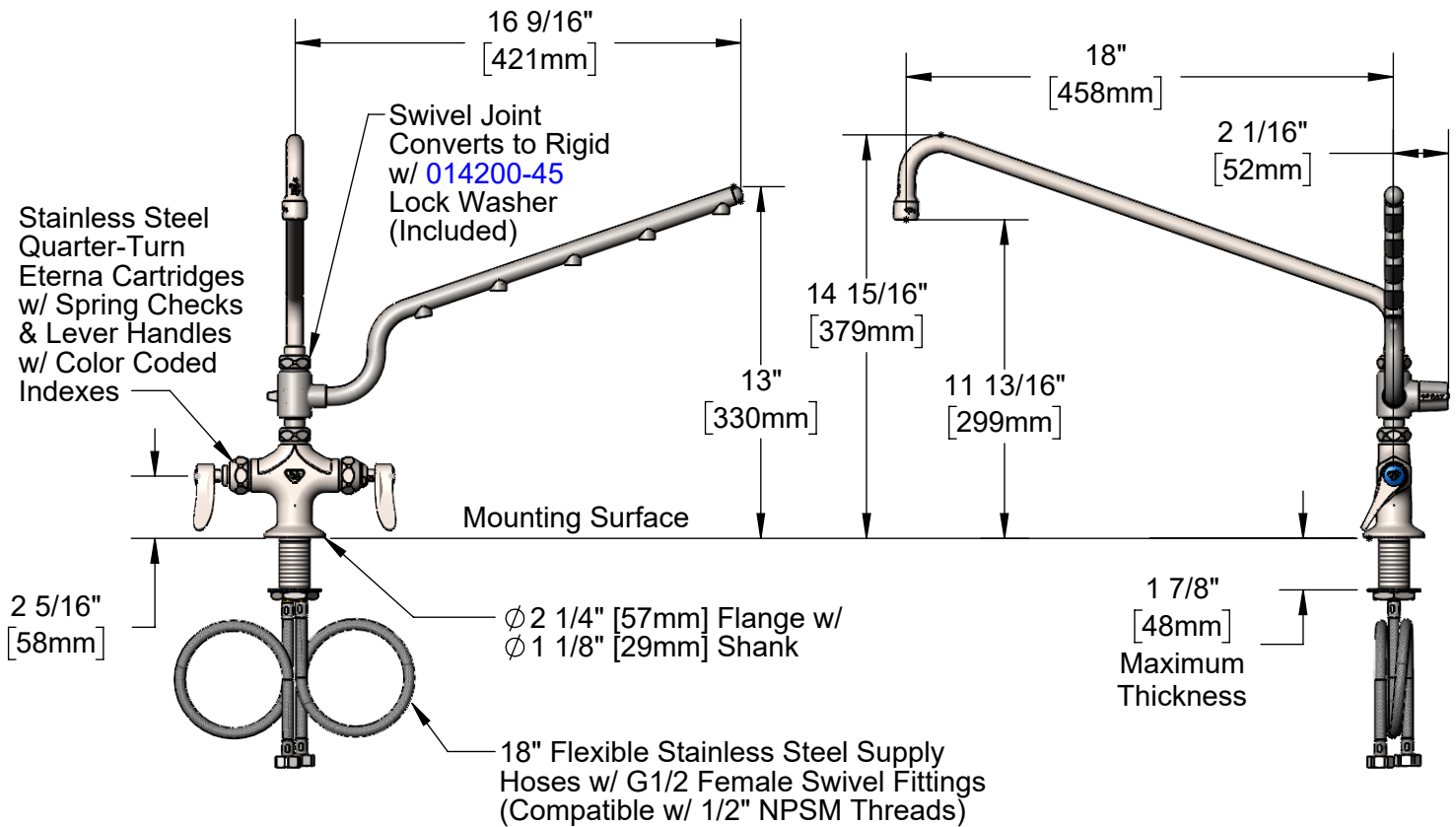
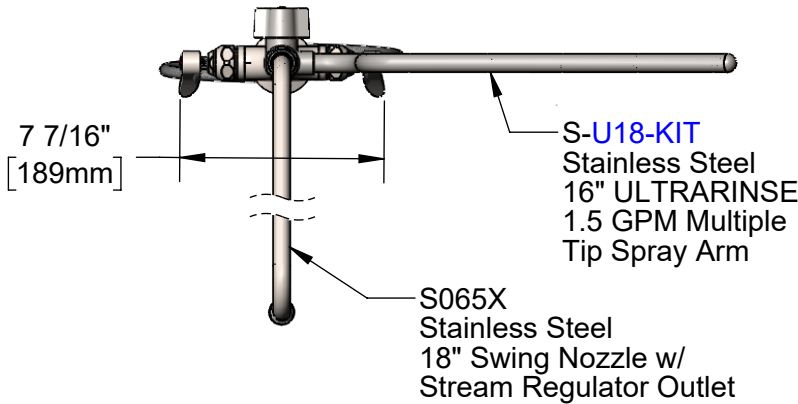
Job Name _____ Date _____

Model Specified _____ Quantity _____

Customer/Wholesaler _____

Contractor _____

Architect/Engineer _____



Rough-In Requirement:
 Ø 1 1/2" [38mm] Mounting Hole

Product Specifications:
 Stainless Steel Single Hole Deck Mount Mixing Faucet, Stainless Steel Quarter-Turn Eterna Cartridges w/ Spring Checks, Stainless Steel Lever Handles, Stainless Steel 18" Swing Nozzle, Stainless Steel 1.5 GPM 16" ULTRARINSE Multiple Tip Spray Arm & 18" Flexible Stainless Steel Supply Hoses w/ G1/2 female fittings

Product Compliance:
 ASME A112.18.1 / CSA B125.1
 NSF 61 - Section 9
 NSF 372 (Low Lead Content)
 ANSI A117.1 (ADA)



T&S BRASS AND BRONZE WORKS, INC.

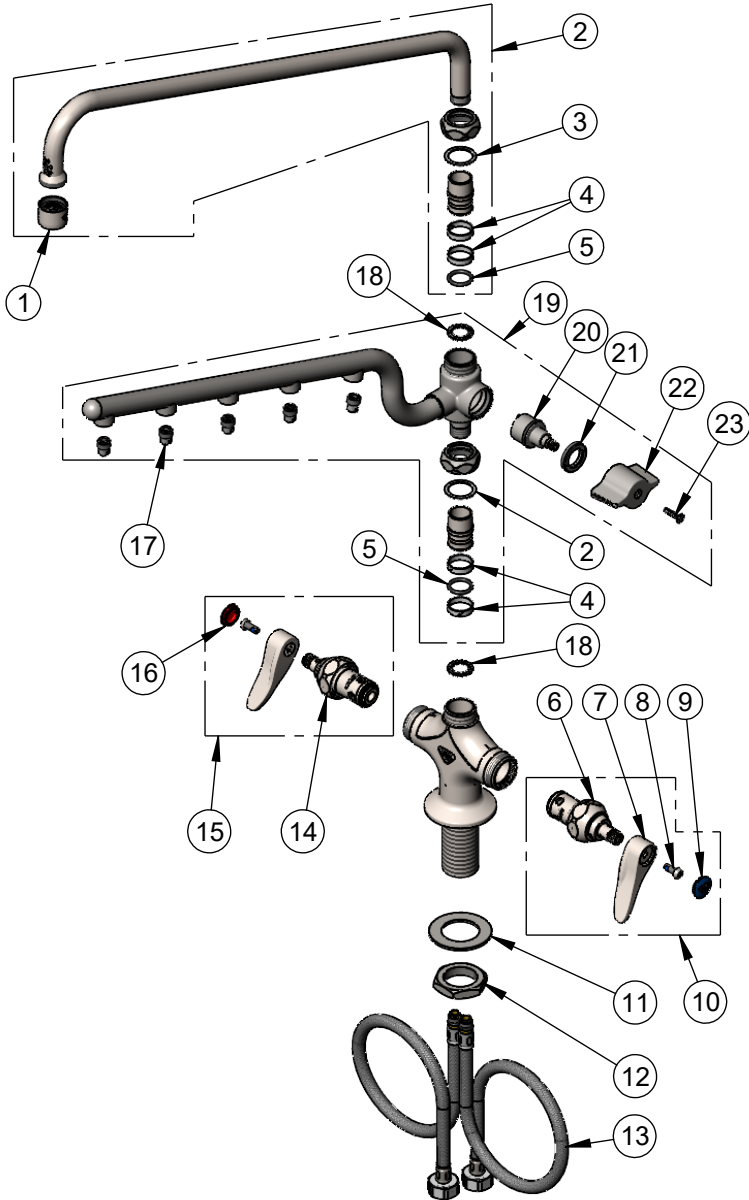
2 Saddleback Cove / P.O. Box 1088
Travelers Rest, SC 29690

Model No.

S-0200-U18

Item No.

Travelers Rest, SC: 800-476-4103 • Simi Valley, CA: 800-423-0150 • Fax: 864-834-3518 • www.tsbrass.com



ITEM NO.	SALES NO.	DESCRIPTION
1	S-PT	Stainless Steel Full Flow Stream Regulator, 55/64-27
2	S065X	Stainless Steel 18" Swing Nozzle
3	009538-45	Swivel Washer
4	021087-45	Swivel Sleeves (2)
5	001074-45	O-Ring
6	S012442-30NS	SS Quarter-Turn Eterna Cartridge w/ Spring Check, LTC
7	S001638-30NS	Stainless Steel Lever Handle (New Style)
8	000925-45	Lab Handle Screw
9	018506-19NS	Blue Button Index, Press-in
10	S002711-30NS	SS Quarter-Turn Eterna Cartridge w/ Spring Check, Handle, Blue Index & Screw, LTC
11	S007365-20	Lock Washer
12	S000965-20	Lock Nut
13	012436-45DR	Flexible Connector Hose
14	S012443-30NS	SS Quarter-Turn Eterna Cartridge w/ Spring Check, RTC
15	S002712-30NS	SS Quarter-Turn Eterna Cartridge w/ Spring Check, Handle, Red Index & Screw, RTC
16	001193-19NS	Red Button Index, Press-in
17	020666-25	0.3 GPM Spray Tip, SS
18	014200-45	Star Washer, Anti-Rotation
19	S-U18-KIT	ULTRARINSE 16" SS Tip Swivel Spray Arm, 1.5 GPM
20	S020641-20	ULTRARINSE SS Diverter Cartridge
21	S020645-20	SS Diverter Cartridge Nut
22	S020642-30	ULTRARINSE SS Diverter Handle
23	020669-45	M4 Screw, 17mm Long

Product Specifications:

Stainless Steel Single Hole Deck Mount Mixing Faucet, Stainless Steel Quarter-Turn Eterna Cartridges w/ Spring Checks, Stainless Steel Lever Handles, Stainless Steel 18" Swing Nozzle, Stainless Steel 1.5 GPM 16" ULTRARINSE Multiple Tip Spray Arm & 18" Flexible Stainless Steel Supply Hoses w/ G1/2 female fittings

Product Compliance:

ASME A112.18.1 / CSA B125.1
NSF 61 - Section 9
NSF 372 (Low Lead Content)
ANSI A117.1 (ADA)