



T&S BRASS AND BRONZE WORKS, INC.

2 Saddleback Cove / P.O. Box 1088
Travelers Rest, SC 29690

Model No.

S-0200-LN

Item No.

Travelers Rest, SC: 800-476-4103 • Simi Valley, CA: 800-423-0150 • Fax: 864-834-3518 • www.tsbrass.com



ADA Compliant

EVERSTEEL

This Space for Architect/Engineer Approval

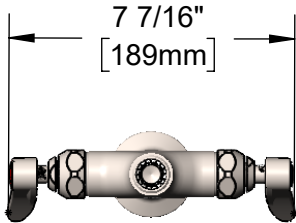
Job Name _____ Date _____

Model Specified _____ Quantity _____

Customer/Wholesaler _____

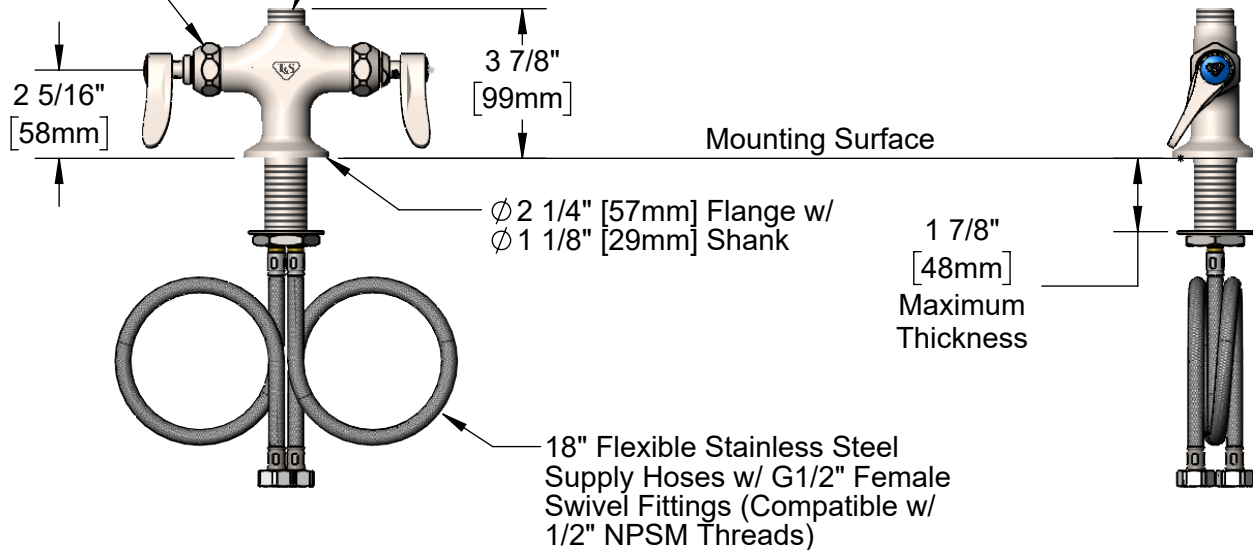
Contractor _____

Architect/Engineer _____



Stainless Steel
Quarter-Turn
Eterna Cartridges
w/ Spring Checks
& Stainless Steel
Lever Handles
w/ Color Coded
Indexes

Swivel Outlet Accepts
Standard Stainless Steel T&S Swing Nozzles
Conversion to Rigid Requires
[014200-45](#) Lock Washer (Included)



Rough-In Requirement:
Ø 1 1/2" [38mm] Mounting Hole

Product Specifications:
Stainless Steel Single Hole Deck Mount Mixing Faucet, Less Nozzle, Quarter-Turn Eterna Cartridges w/ Spring Checks, Lever Handles & 18" Flexible Stainless Steel Supply Hoses

Product Compliance:
ASME A112.18.1 / CSA B125.1
NSF 61 - Section 9
NSF 372 (Low Lead Content)
ANSI A117.1 (ADA)



T&S BRASS AND BRONZE WORKS, INC.

2 Saddleback Cove / P.O. Box 1088
Travelers Rest, SC 29690

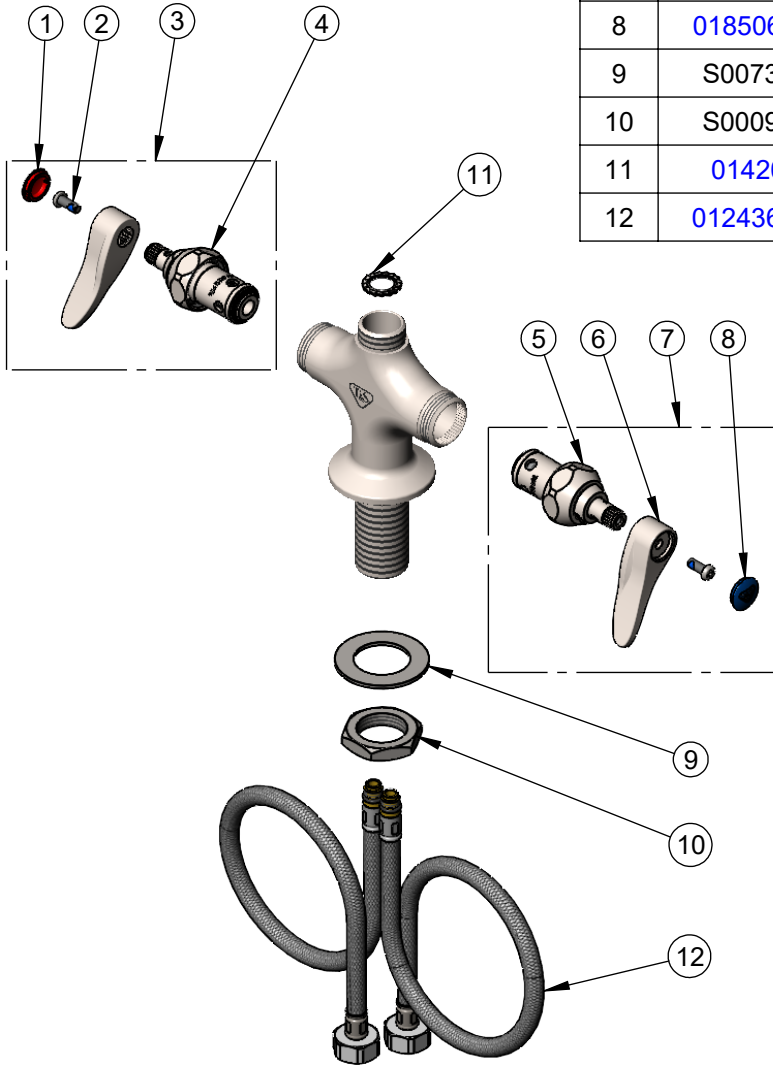
Model No.

S-0200-LN

Item No.

Travelers Rest, SC: 800-476-4103 • Simi Valley, CA: 800-423-0150 • Fax: 864-834-3518 • www.tsbrass.com

| ITEM NO. | SALES NO. | DESCRIPTION |
|----------|--------------|---|
| 1 | 001193-19NS | Red Button Index, Press-in |
| 2 | 000925-45 | Lab Handle Screw |
| 3 | S002712-30NS | Stainless Steel Quarter-Turn Eterna Cartridge w/ Spring Check, Handle, Red Index & Screw, RTC |
| 4 | S012443-30NS | Stainless Steel Quarter-Turn Eterna Cartridge w/ Spring Check, RTC |
| 5 | S012442-30NS | Stainless Steel Quarter-Turn Eterna Cartridge w/ Spring Check, LTC |
| 6 | S001638-30NS | Stainless Steel Lever Handle (New Style) |
| 7 | S002711-30NS | Stainless Steel Quarter-Turn Eterna Cartridge w/ Spring Check, Handle, Red Index & Screw, LTC |
| 8 | 018506-19NS | Blue Button Index, Press-in |
| 9 | S007365-20 | Stainless Steel Lock Washer |
| 10 | S000965-45 | Stainless Steel Lock Nut |
| 11 | 014200-45 | Star Washer, Anti-Rotation |
| 12 | 012436-45DR | Flexible Connector Hose |



Product Specifications:

Stainless Steel Single Hole Deck Mount Mixing Faucet, Less Nozzle, Quarter-Turn Eterna Cartridges w/ Spring Checks, Lever Handles & 18" Flexible Stainless Steel Supply Hoses

Product Compliance:

ASME A112.18.1 / CSA B125.1
NSF 61 - Section 9
NSF 372 (Low Lead Content)
ANSI A117.1 (ADA)