



T&S BRASS AND BRONZE WORKS, INC.

2 Saddleback Cove / P.O. Box 1088
Travelers Rest, SC 29690

Model No.

S-0113-B

Item No.

Travelers Rest, SC: 800-476-4103 • Simi Valley, CA: 800-423-0150 • Fax: 864-834-3518 • www.tsbrass.com

EVERSTEEL™

This Space for Architect/Engineer Approval

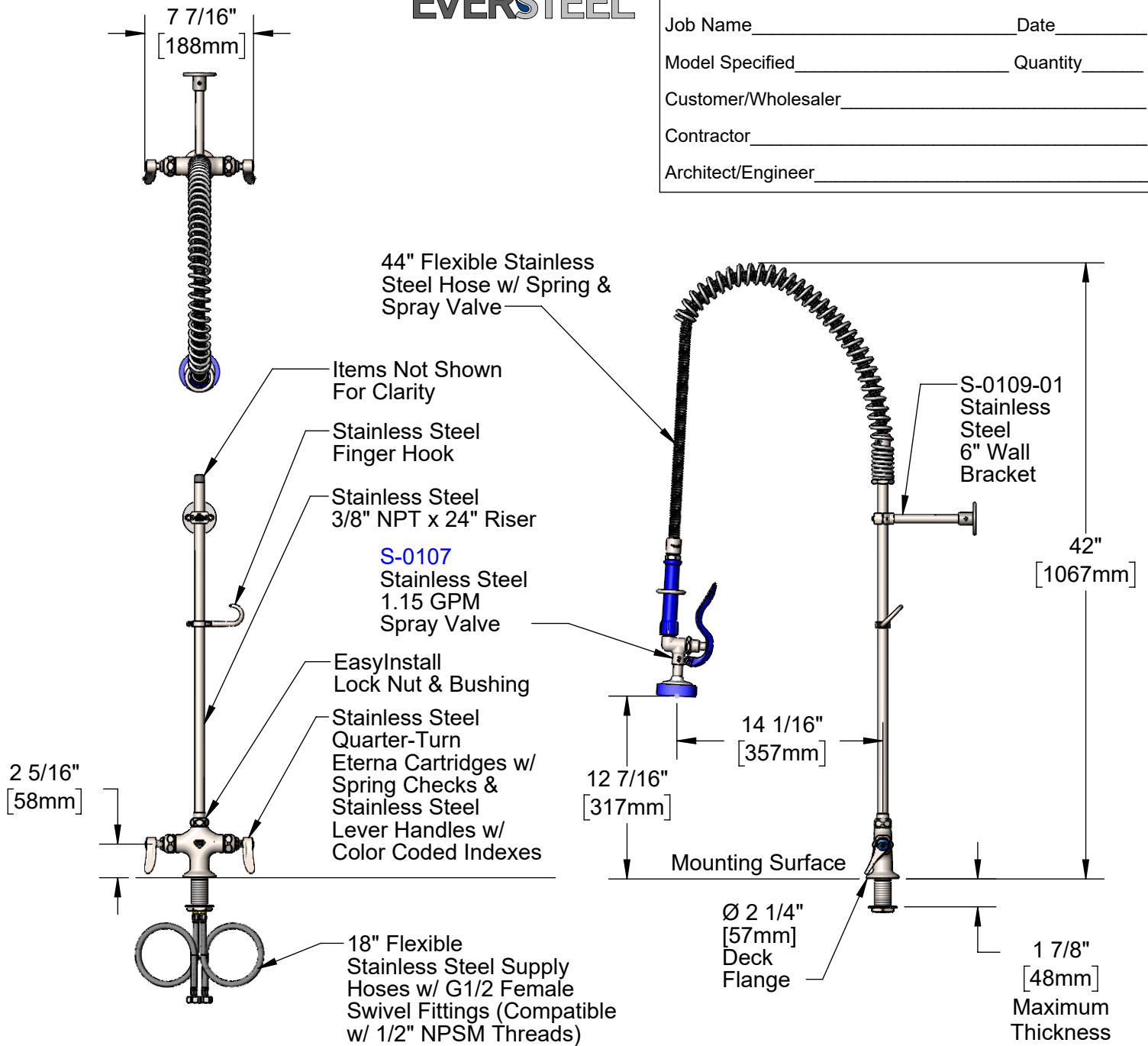
Job Name _____ Date _____

Model Specified _____ Quantity _____

Customer/Wholesaler _____

Contractor _____

Architect/Engineer _____



Rough-In Requirement:
Ø 1 1/2" [38mm] Mounting Hole

Product Specifications:

Stainless Steel Pre-Rinse Unit: EasyInstall Single Hole Deck Mount Mixing Faucet, Quarter-Turn Eterna Cartridges w/ Spring Checks, Lever Handles, 44" Flexible Stainless Steel Hose, 1.15 GPM Spray Valve, 6" Wall Bracket & Flexible Stainless Steel Supply Hoses

Product Compliance:

ASME A112.18.1 / CSA B125.1
NSF 61 - Section 9
NSF 372 (Low Lead Content)
2019 DOE PRSV - Class II



T&S BRASS AND BRONZE WORKS, INC.

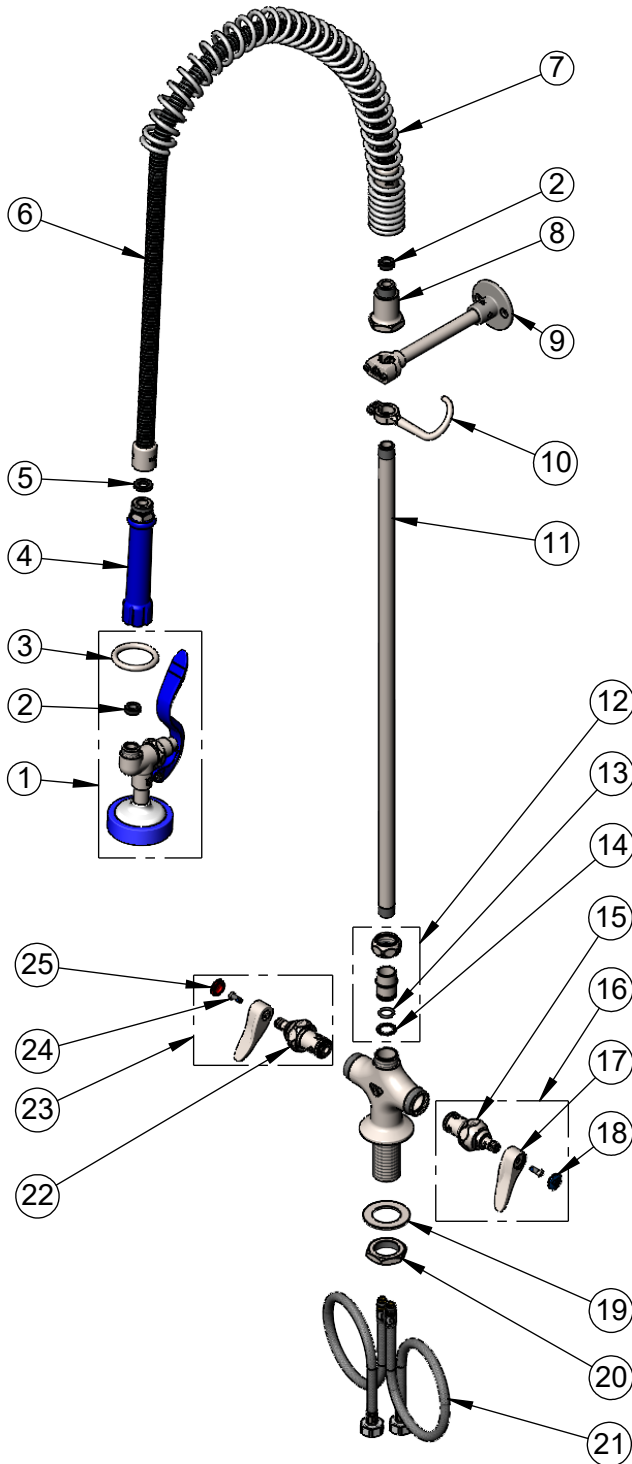
2 Saddleback Cove / P.O. Box 1088
Travelers Rest, SC 29690

Model No.

S-0113-B

Item No.

Travelers Rest, SC: 800-476-4103 • Simi Valley, CA: 800-423-0150 • Fax: 864-834-3518 • www.tsbrass.com



ITEM NO.	SALES NO.	DESCRIPTION
1	S-0107	Stainless Steel 1.15 GPM Spray Valve (Blue)
2	010476-45	#27 Washer
3	S000907-30	SS Spray Valve Hold Down Ring
4	S011482-30	Stainless Steel Grip Handle (Blue)
5	001014-45	Washer, Hose Barrel
6	S-0044-H2A	44" Flexible Stainless Steel Hose, Less Handle
7	S000888-30	SS EasyInstall Overhead Spring
8	S000821-30	Stainless Steel Spring Body
9	S-0109-01	Stainless Steel 6" Wall Bracket
10	S004R	Stainless Steel Finger Hook
11	S000372-30	Stainless Steel 3/8" NPT x 24" Riser
12	SEZ-K	Stainless Steel EasyInstall Kit: Nut, Bushing, O-Ring & Lock Washer
13	001065-45	O-Ring
14	014200-45	Star Washer, Anti-Rotation
15	S012442-30NS	Stainless Steel Quarter-Turn Eterna Cartridge w/ Spring Check, LTC
16	S002711-30NS	Stainless Steel Quarter-Turn Eterna Cartridge w/ Spring Check, Handle, Blue Index & Screw, LTC
17	S001638-30NS	Stainless Steel Lever Handle (New Style)
18	018506-19NS	Blue Button Index, Press-in
19	S007365-20	Stainless Steel Lock Washer
20	S000965-20	Stainless Steel Lock Nut
21	012436-45DR	Flexible Connector Hose
22	S012443-30NS	Stainless Steel Quarter-Turn Eterna Cartridge w/ Spring Check, RTC
23	S002712-30NS	Stainless Steel Quarter-Turn Eterna Cartridge w/ Spring Check, Handle, Red Index & Screw, RTC
24	000925-45	Lab Handle Screw
25	001193-19NS	Red Button Index, Press-in

Product Specifications:

Stainless Steel Pre-Rinse Unit: EasyInstall Single Hole Deck Mount Mixing Faucet, Quarter-Turn Eterna Cartridges w/ Spring Checks, Lever Handles, 44" Flexible Stainless Steel Hose, 1.15 GPM Spray Valve, 6" Wall Bracket & Flexible Stainless Steel Supply Hoses

Product Compliance:

ASME A112.18.1 / CSA B125.1
NSF 61 - Section 9
NSF 372 (Low Lead Content)
2019 DOE PRSV - Class II