



T&S BRASS AND BRONZE WORKS, INC.
 2 Saddleback Cove / P.O. Box 1088
 Travelers Rest, SC 29690

Model No.

S-0107

Item No.

Travelers Rest, SC: 800-476-4103 • Simi Valley, CA: 800-423-0150 • Fax: 864-834-3518 • www.tsbrass.com

EVERSTEEL

This Space for Architect/Engineer Approval

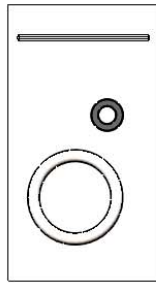
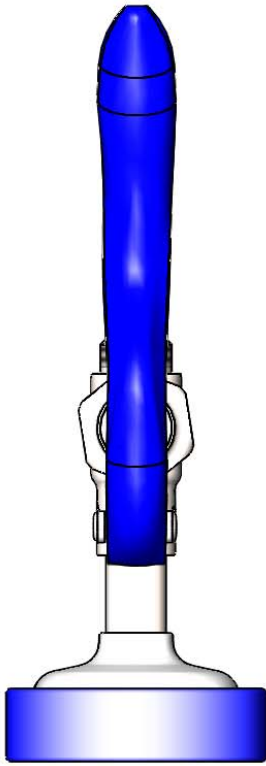
Job Name _____ Date _____

Model Specified _____ Quantity _____

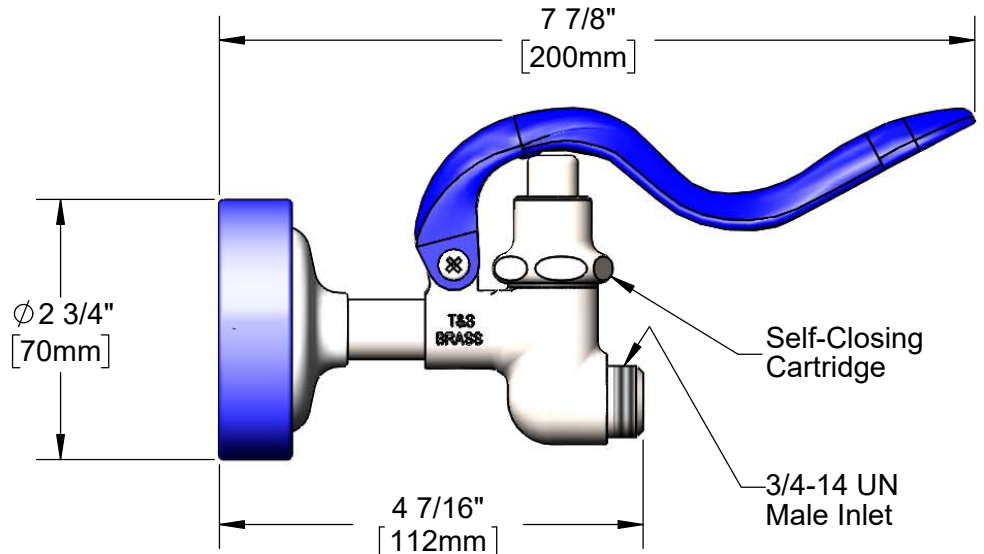
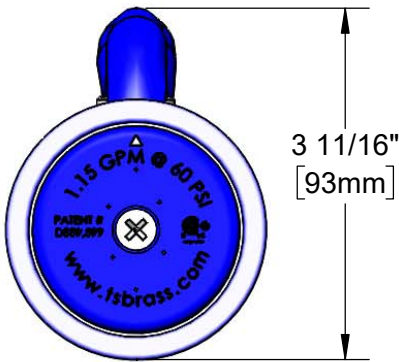
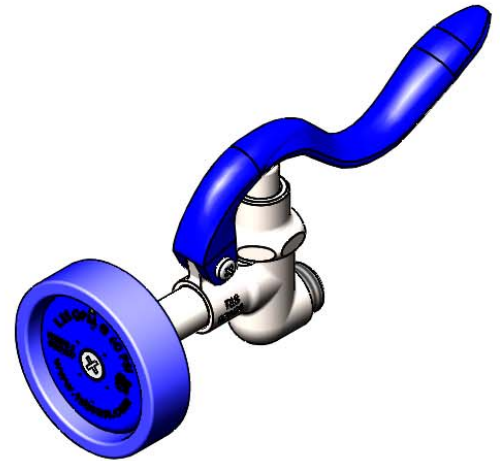
Customer/Wholesaler _____

Contractor _____

Architect/Engineer _____



Hose Washer &
Hold Down Ring
(Included)



Flow Rate: 1.15 GPM [4.35 Lpm] @ 60 psi [4.14 bar]
 Spray Force: 7.5 Ozf [212 Gramf] @ 60 psi [4.14 bar]

Product Specifications:

Pre-Rinse Self-Closing Stainless Steel Spray Valve w/ Rubber Bumper & 1.15 GPM Flow Control Spray Face (Blue)

Product Compliance:

ASME A112.18.1 / CSA B125.1
 NSF 61 - Section 9
 NSF 372 (Low Lead Content)
 2019 DOE PRSV - Class II



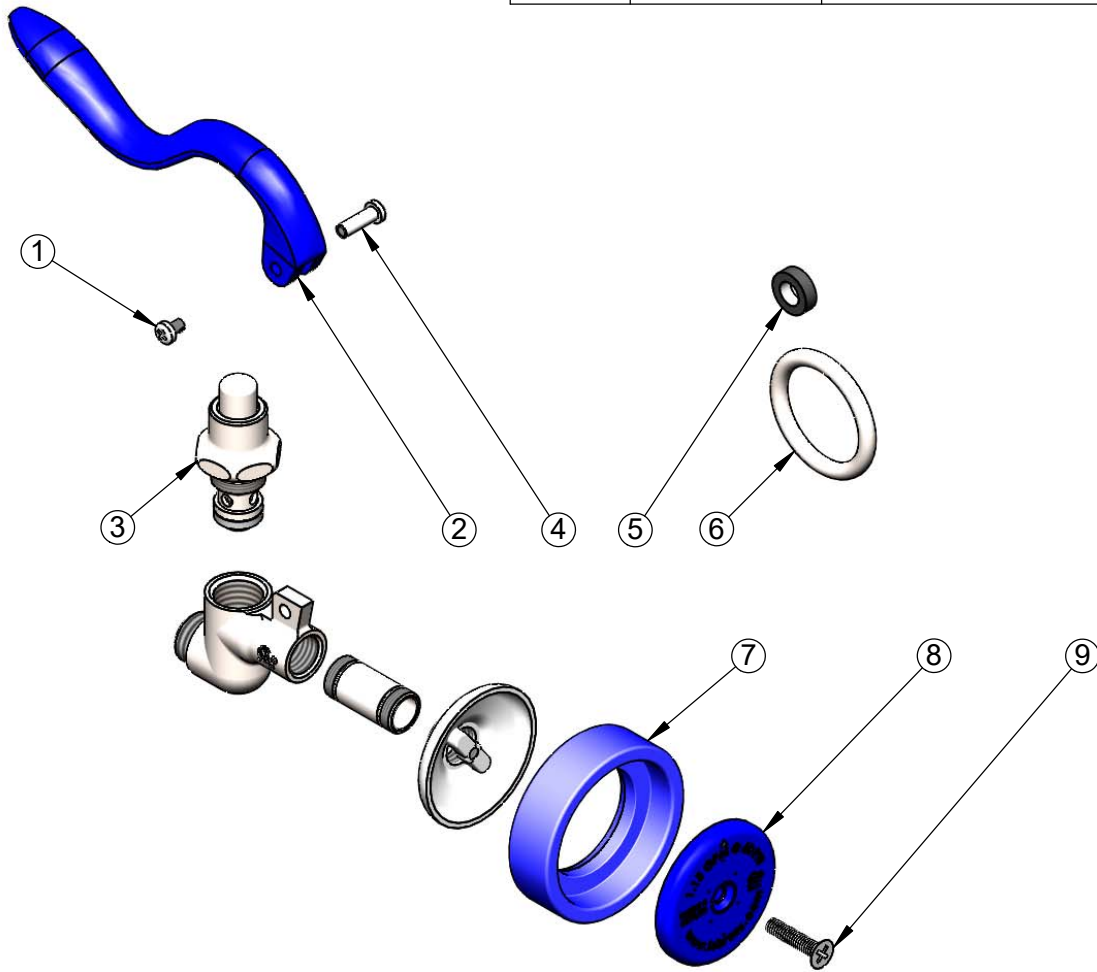
T&S BRASS AND BRONZE WORKS, INC.
 2 Saddleback Cove / P.O. Box 1088
 Travelers Rest, SC 29690

Model No.
S-0107

Item No.

Travelers Rest, SC: 800-476-4103 • Simi Valley, CA: 800-423-0150 • Fax: 864-834-3518 • www.tsbrass.com

ITEM NO.	SALES NO.	DESCRIPTION
1	003199-45	Spray Valve Handle Screw
2	011454-45	Spray Valve Handle (Blue)
3	S010594-30	Spray Valve Bonnet
4	003198-45	Spray Valve Handle Nut
5	010476-45	#27 Washer
6	S000907-30	Spray Valve Hold Down Ring
7	011475-45	Sprayhead Ring, Blue
8	017288-45	Spray Valve Spray Face (Blue)
9	000913-45	Screw



Product Specifications:
 Pre-Rinse Self-Closing Stainless Steel Spray Valve w/ Rubber Bumper & 1.15 GPM Flow Control Spray Face (Blue)

Product Compliance:
 ASME A112.18.1 / CSA B125.1
 NSF 61 - Section 9
 NSF 372 (Low Lead Content)
 2019 DOE PRSV - Class II