

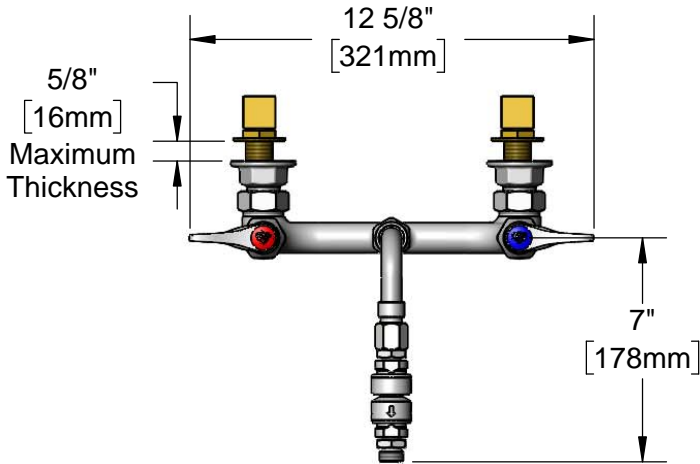


T&S BRASS AND BRONZE WORKS, INC.
 2 Saddleback Cove / P.O. Box 1088
 Travelers Rest, SC 29690

Model No.
PG-8WSAV-VH

Item No.

Travelers Rest, SC: 800-476-4103 • Simi Valley, CA: 800-423-0150 • Fax: 864-834-3518 • www.tsbrass.com



This Space for Architect/Engineer Approval

Job Name _____ Date _____

Model Specified _____ Quantity _____

Customer/Wholesaler _____

Contractor _____

Architect/Engineer _____

7' Reinforced Vinyl Hose w/ Aluminum Spray Valve

B-0166

Hose Hanger Hook w/ Mounting Screws

Items Not Shown For Clarity

Quarter-Turn Eterna Cartridges w/ Spring Checks & Lever Handles w/ Color Coded Indexes

B-0970-01

Inline Vacuum Breaker

034A

Swivel Adapter

1/2" NPT Male Nipples w/ Short Elbows

3 11/16" [94mm]

8" [203mm]

Adjustable from 7 3/4" to 8 1/4" [179mm to 210mm]

Ø2" [51mm] Flanges w/ 1/2" NPT Female Inlets

4 3/16" [106mm]

2 3/8" [61mm]

2" [51mm]

Rough-In Requirement:
 (2) Ø 1" [25mm] Mounting Holes

Product Specifications:

Pet Grooming Station: 8" Wall Mount Mixing Faucet, Quarter-Turn Eterna Cartridges w/ Spring Checks, Lever Handles, 90° Swivel Arm w/ Vacuum Breaker, 7" Vinyl Hose w/ Angled Aluminum Spray Valve, Hanger Hook, 1/2" NPT Female Inlets & 1/2" NPT Short Elbow Intallaition Kit.

Product Compliance:

ASME A112.18.1 / CSA B125.1
 NSF 61 Exempt (Non-Potable)
 CSA B64.8 (VB)



T&S BRASS AND BRONZE WORKS, INC.

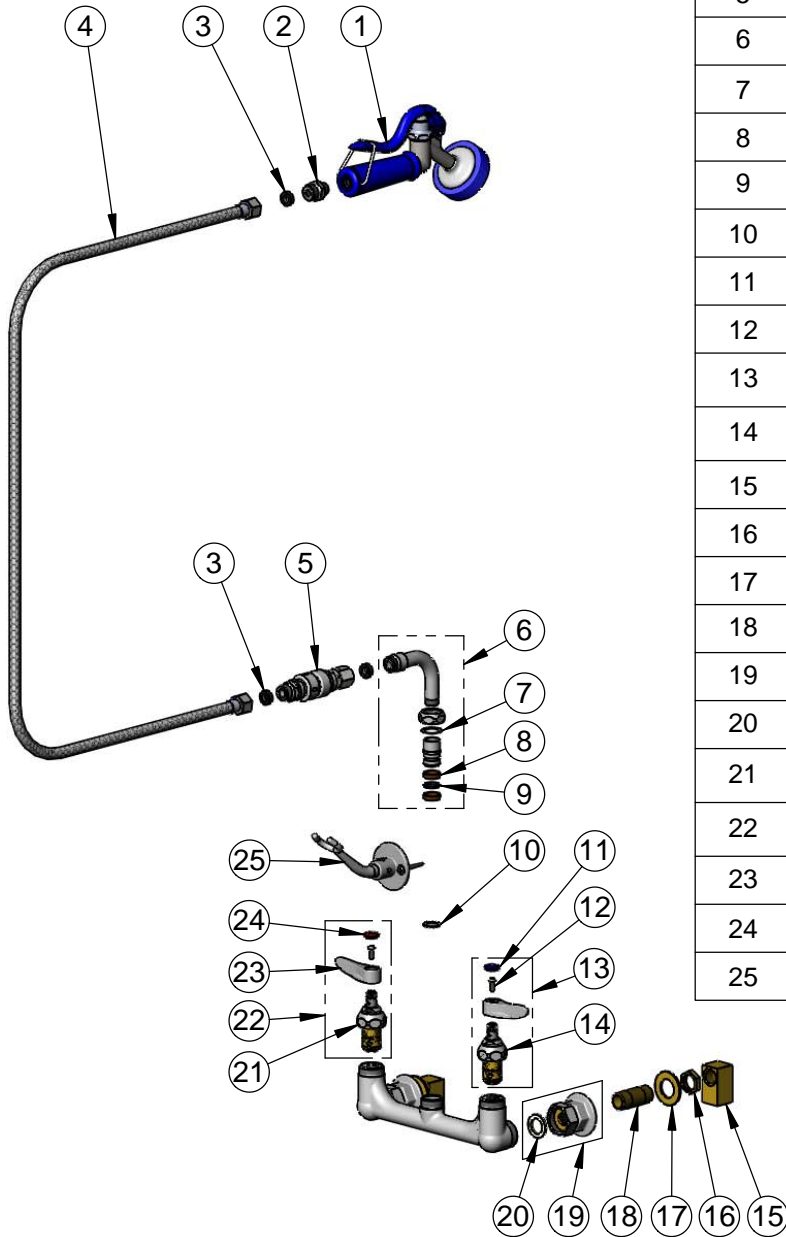
2 Saddleback Cove / P.O. Box 1088
Travelers Rest, SC 29690

Model No.

PG-8WSAV-VH

Item No.

Travelers Rest, SC: 800-476-4103 • Simi Valley, CA: 800-423-0150 • Fax: 864-834-3518 • www.tsbrass.com



ITEM NO.	SALES NO.	DESCRIPTION
1	PG-35AV	Aluminum Angled Spray Valve
2	172A	Adapter, 1/4" NPT Male x 3/14-14 UN Male
3	010476-45	#27 Washer
4	PG-0078-VH	78" Vinyl Hose
5	B-0970-01	Vacuum Breaker, 3/4-14 UN Male x Female
6	034A	90° Swivel Adapter
7	009538-45	Swivel Washer
8	011429-45	Swivel Sleeves (2)
9	001074-45	O-Ring
10	014200-45	Star Washer, Anti-Rotation
11	018506-19NS	Blue Button Index, Press-in
12	000925-45	Lab Handle Screw
13	002711-40NS	Quarter-Turn Eterna Cartridge w/ Spring Check, Handle, Blue Index & Screw, LTC
14	012442-40NS	Quarter-Turn Eterna Cartridge w/ Spring Check, LTC
15	006895-20	Short EI, 1/2" NPT Female
16	002954-45	Shank Lock Nut
17	000999-45	Brass Lock Washer
18	000422-20	1/2" NPT x 2" Supply Nipple
19	00AA	1/2" NPT Female Eccentric Flange
20	001019-45	Coupling Nut Washer
21	012443-40NS	Quarter-Turn Eterna Cartridge w/ Spring Check, RTC
22	002712-40NS	Quarter-Turn Eterna Cartridge w/ Spring Check, Handle, Red Index & Screw, RTC
23	001638-45NS	Lever Handle (New Style)
24	001193-19NS	Red Button Index, Press-in
25	B-0166	Wall Hook

Product Specifications:

Pet Grooming Station: 8" Wall Mount Mixing Faucet, Quarter-Turn Eterna Cartridges w/ Spring Checks, Lever Handles, 90° Swivel Arm w/ Vacuum Breaker, 7" Vinyl Hose w/ Angled Aluminum Spray Valve, Hanger Hook, 1/2" NPT Female Inlets & 1/2" NPT Short Elbow Intallaition Kit.

Product Compliance:

ASME A112.18.1 / CSA B125.1
NSF 61 Exempt (Non-Potable)
CSA B64.8 (VB)