



**T&S BRASS AND BRONZE WORKS, INC.**  
 2 Saddleback Cove / P.O. Box 1088  
 Travelers Rest, SC 29690

Model No.

**PG-8WSAV-08**

Item No.

Travelers Rest, SC: 800-476-4103 • Simi Valley, CA: 800-423-0150 • Fax: 864-834-3518 • www.tsbrass.com

This Space for Architect/Engineer Approval

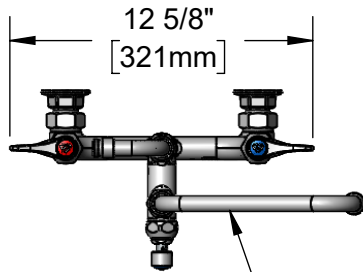
Job Name \_\_\_\_\_ Date \_\_\_\_\_

Model Specified \_\_\_\_\_ Quantity \_\_\_\_\_

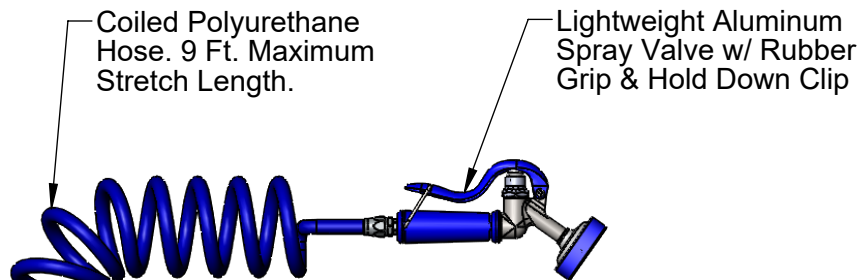
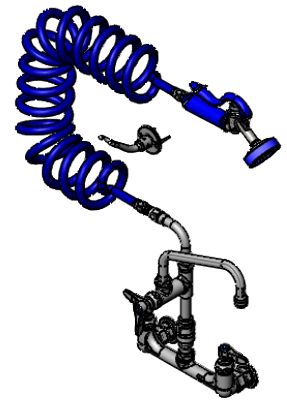
Customer/Wholesaler \_\_\_\_\_

Contractor \_\_\_\_\_

Architect/Engineer \_\_\_\_\_

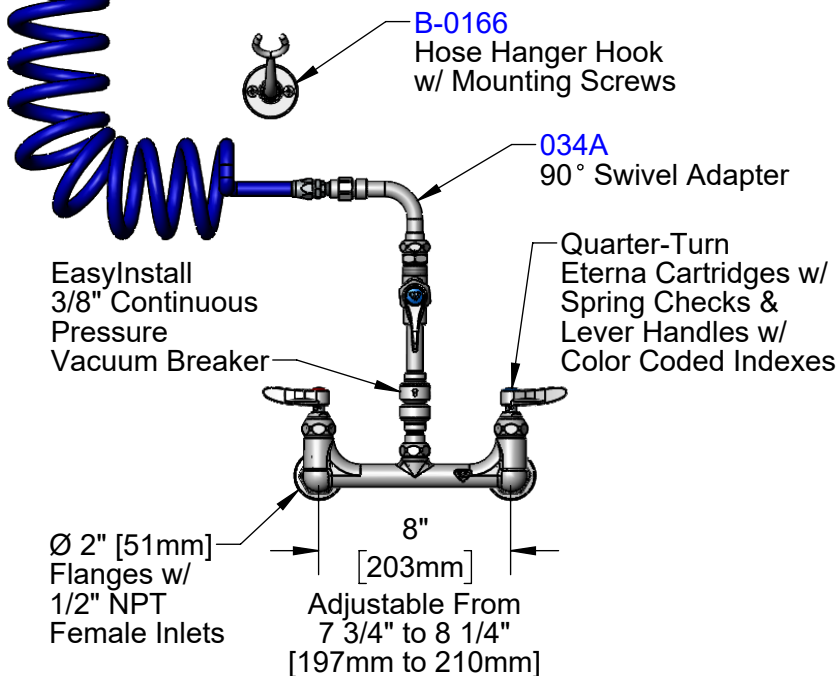


**060X**  
 8" Swing Nozzle w/  
 Stream Regulator Outlet



Coiled Polyurethane  
 Hose. 9 Ft. Maximum  
 Stretch Length.

Lightweight Aluminum  
 Spray Valve w/ Rubber  
 Grip & Hold Down Clip



**B-0166**  
 Hose Hanger Hook  
 w/ Mounting Screws

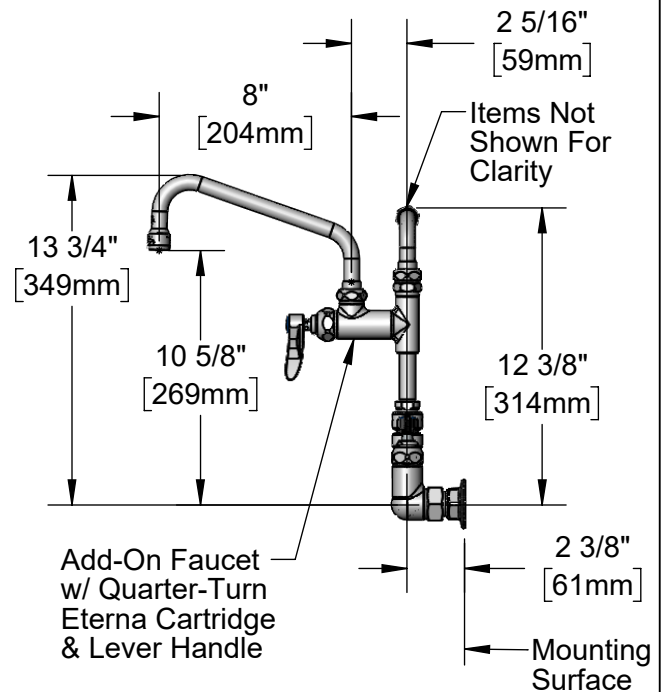
**034A**  
 90° Swivel Adapter

Quarter-Turn  
 Eterna Cartridges w/  
 Spring Checks &  
 Lever Handles w/  
 Color Coded Indexes

EasyInstall  
 3/8" Continuous  
 Pressure  
 Vacuum Breaker

Ø 2" [51mm]  
 Flanges w/  
 1/2" NPT  
 Female Inlets

Adjustable From  
 7 3/4" to 8 1/4"  
 [197mm to 210mm]



2 5/16"  
 [59mm]

8"  
 [204mm]

Items Not  
 Shown For  
 Clarity

13 3/4"  
 [349mm]

10 5/8"  
 [269mm]

12 3/8"  
 [314mm]

Add-On Faucet  
 w/ Quarter-Turn  
 Eterna Cartridge  
 & Lever Handle

2 3/8"  
 [61mm]

Mounting  
 Surface

Product Specifications:

Pet Grooming Station: 8" Wall Mount Mixing Faucet, Quarter-Turn Eterna Cartridges w/ Spring Checks, Lever Handles, Vacuum Breaker, Add-On Faucet, 8" Swing Nozzle w/ Stream Regulator Outlet, 90° Swivel Arm, 9' Coiled Hose w/ Angled Aluminum Spray Valve, Hanger Hook & 1/2" NPT Female Inlets

Product Compliance:

ASME A112.18.1 / CSA B125.1  
 NSF 61 Exempt (Non-Potable)  
 CSA B64.8 (VB)

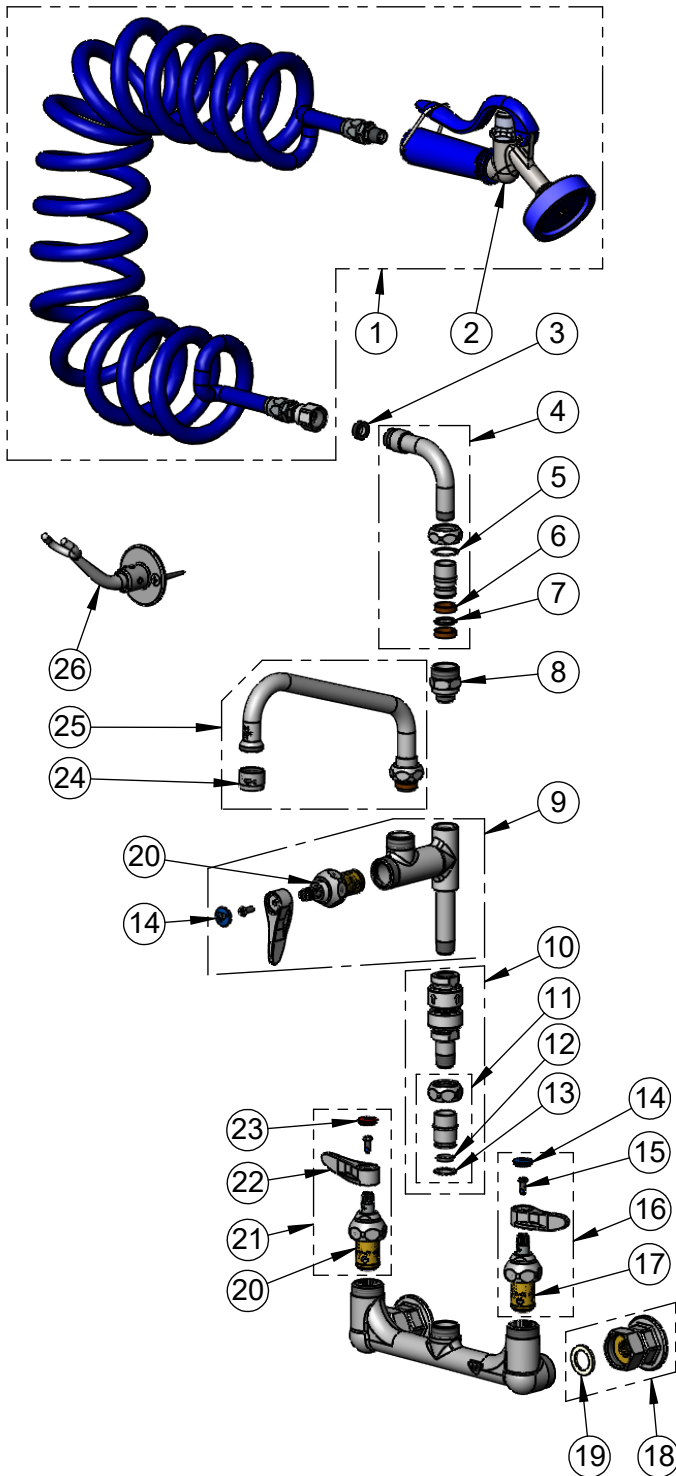


**T&S BRASS AND BRONZE WORKS, INC.**  
 2 Saddleback Cove / P.O. Box 1088  
 Travelers Rest, SC 29690

Model No.  
**PG-8WSAV-08**

Item No.

Travelers Rest, SC: 800-476-4103 • Simi Valley, CA: 800-423-0150 • Fax: 864-834-3518 • www.tsbrass.com



ITEM NO.	SALES NO.	DESCRIPTION
1	PG-35AV-CH05	Lightweight Aluminum Angled Spray Valve w/ Coiled Polyurethane Hose
2	PG-35AV	Lightweight Aluminum Angled Spray Valve
3	010476-45	#27 Washer
4	034A	90° Swivel Adapter
5	009538-45	Swivel Washer
6	011429-45	Swivel Sleeves (2)
7	001074-45	O-Ring
8	B-0412	Rigid to Swivel Adapter
9	B-0155-LN	Add-On Faucet
10	B-0970-FEZ	EasyInstall 3/8" NPT Vacuum Breaker
11	EZ-K	EasyInstall Kit
12	001065-45	O-Ring
13	014200-45	Star Washer, Anti-Rotation
14	018506-19NS	Blue Button Index, Press-in
15	000925-45	Lab Handle Screw
16	002711-40NS	Quarter-Turn Eterna Cartridge w/ Spring Check, Handle, Blue Index & Screw, LTC
17	012442-40NS	Quarter-Turn Eterna Cartridge w/ Spring Check, LTC
18	00AA	1/2" NPT Female Eccentric Flange
19	001019-45	Coupling Nut Washer
20	012443-40NS	Quarter-Turn Eterna Cartridge w/ Spring Check, RTC
21	002712-40NS	Quarter-Turn Eterna Cartridge w/ Spring Check, Handle, Red Index & Screw, RTC
22	001638-45NS	Lever Handle (New Style)
23	001193-19NS	Red Button Index, Press-in
24	B-PT	Full Flow Stream Regulator Outlet, 55/64-27
25	060X	8" Swing Nozzle w/ Stream Regulator Outlet
26	B-0166	Wall Hook

**Product Specifications:**  
 Pet Grooming Station: 8" Wall Mount Mixing Faucet, Quarter-Turn Eterna Cartridges w/ Spring Checks, Lever Handles, Vacuum Breaker, Add-On Faucet, 8" Swing Nozzle w/ Stream Regulator Outlet, 90° Swivel Arm, 9' Coiled Hose w/ Angled Aluminum Spray Valve, Hanger Hook & 1/2" NPT Female Inlets

**Product Compliance:**  
 ASME A112.18.1 / CSA B125.1  
 NSF 61 Exempt (Non-Potable)  
 CSA B64.8 (VB)