



T&S BRASS AND BRONZE WORKS, INC.
 2 Saddleback Cove / P.O. Box 1088
 Travelers Rest, SC 29690

Model No.

PG-8DSAV-10

Item No.

Travelers Rest, SC: 800-476-4103 • Simi Valley, CA: 800-423-0150 • Fax: 864-834-3518 • www.tsbrass.com

This Space for Architect/Engineer Approval

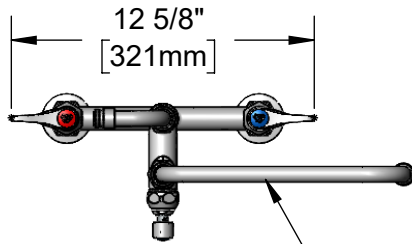
Job Name _____ Date _____

Model Specified _____ Quantity _____

Customer/Wholesaler _____

Contractor _____

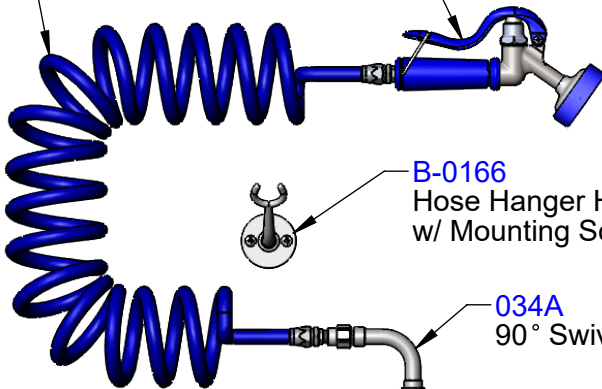
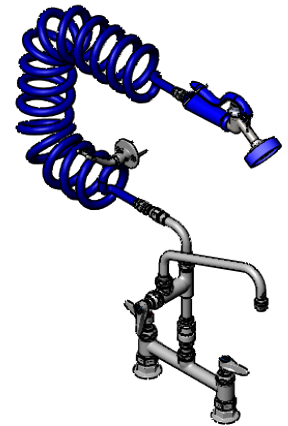
Architect/Engineer _____



061X
 10" Swing Nozzle w/
 Stream Regulator Outlet

Lightweight Aluminum
 Spray Valve w/ Rubber
 Grip & Hold Down Clip

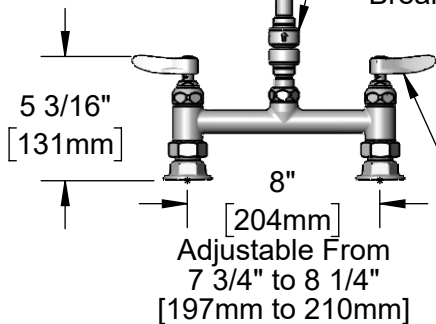
Coiled Polyurethane
 Hose. 9 Ft. Maximum
 Stretch Length.



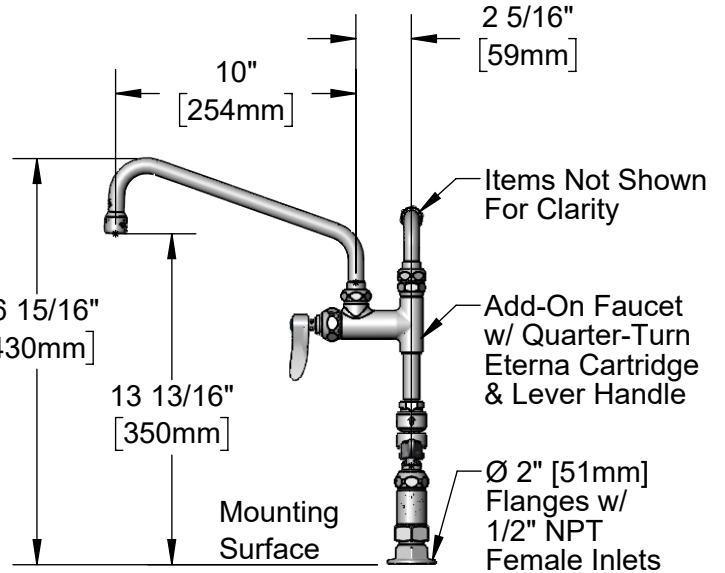
B-0166
 Hose Hanger Hook
 w/ Mounting Screws

034A
 90° Swivel Adapter

EasyInstall
 3/8" Continuous
 Pressure Vacuum
 Breaker



Quarter-Turn
 Eterna Cartridges w/
 Spring Checks &
 Lever Handles w/
 Color Coded Indexes



Items Not Shown
 For Clarity

Add-On Faucet
 w/ Quarter-Turn
 Eterna Cartridge
 & Lever Handle

Ø 2" [51mm]
 Flanges w/
 1/2" NPT
 Female Inlets

Product Specifications:

Pet Grooming Station: 8" Deck Mount Mixing Faucet, Quarter-Turn Eterna Cartridges w/ Spring Checks, Lever Handles, Vacuum Breaker, Add-On Faucet, 10" Swing Nozzle w/ Stream Regulator Outlet, 90° Swivel Arm, 9' Coiled Hose w/ Angled Aluminum Spray Valve, Hanger Hook & 1/2" NPT Female Inlets

Product Compliance:

ASME A112.18.1 / CSA B125.1
 NSF 61 Exempt (Non-Potable)
 CSA B64.8 (VB)



T&S BRASS AND BRONZE WORKS, INC.
 2 Saddleback Cove / P.O. Box 1088
 Travelers Rest, SC 29690

Model No.
PG-8DSAV-10

Item No.

Travelers Rest, SC: 800-476-4103 • Simi Valley, CA: 800-423-0150 • Fax: 864-834-3518 • www.tsbrass.com

	ITEM NO.	SALES NO.	DESCRIPTION
	1	PG-35AV-CH05	Lightweight Aluminum Angled Spray Valve w/ Coiled Polyurethane Hose
	2	PG-35AV	Lightweight Aluminum Angled Spray Valve
	3	010476-45	#27 Washer
	4	034A	90° Swivel Adapter
	5	009538-45	Swivel Washer
	6	011429-45	Swivel Sleeves (2)
	7	001074-45	O-Ring
	8	B-0412	Rigid to Swivel Adapter
	9	B-0155-LN	Add-On Faucet
	10	B-0970-FEZ	EasyInstall 3/8" NPT Vacuum Breaker
	11	EZ-K	EasyInstall Kit
	12	001065-45	O-Ring
	13	014200-45	Star Washer, Anti-Rotation
	14	018506-19NS	Blue Button Index, Press-in
	15	001638-45NS	Lever Handle (New Style)
	16	002711-40NS	Quarter-Turn Eterna Cartridge w/ Spring Check, Handle, Blue Index & Screw, LTC
	17	012442-40NS	Quarter-Turn Eterna Cartridge w/ Spring Check, LTC
	18	001019-45	Coupling Nut Washer
	19	00AA	1/2" NPT Female Eccentric Flange
	20	012443-40NS	Quarter-Turn Eterna Cartridge w/ Spring Check, RTC
	21	002712-40NS	Quarter-Turn Eterna Cartridge w/ Spring Check, Handle, Red Index & Screw, RTC
	22	000925-45	Lab Handle Screw
	23	001193-19NS	Red Button Index, Press-in
	24	B-PT	Full Flow Stream Regulator Outlet, 55/64-27
	25	061X	10" Swing Nozzle w/ Stream Regulator Outlet
	26	B-0166	Wall Hook

Product Specifications:
 Pet Grooming Station: 8" Deck Mount Mixing Faucet, Quarter-Turn Eterna Cartridges w/ Spring Checks, Lever Handles, Vacuum Breaker, Add-On Faucet, 10" Swing Nozzle w/ Stream Regulator Outlet, 90° Swivel Arm, 9' Coiled Hose w/ Angled Aluminum Spray Valve, Hanger Hook & 1/2" NPT Female Inlets

Product Compliance:
 ASME A112.18.1 / CSA B125.1
 NSF 61 Exempt (Non-Potable)
 CSA B64.8 (VB)