



**T&S BRASS AND BRONZE WORKS, INC.**  
 2 Saddleback Cove / P.O. Box 1088  
 Travelers Rest, SC 29690

Model No.  
**PG-8DSAN-06**

Item No.

Travelers Rest, SC: 800-476-4103 • Simi Valley, CA: 800-423-0150 • Fax: 864-834-3518 • www.tsbrass.com

This Space for Architect/Engineer Approval

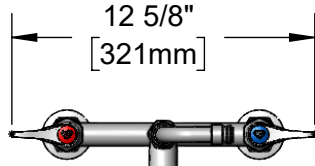
Job Name \_\_\_\_\_ Date \_\_\_\_\_

Model Specified \_\_\_\_\_ Quantity \_\_\_\_\_

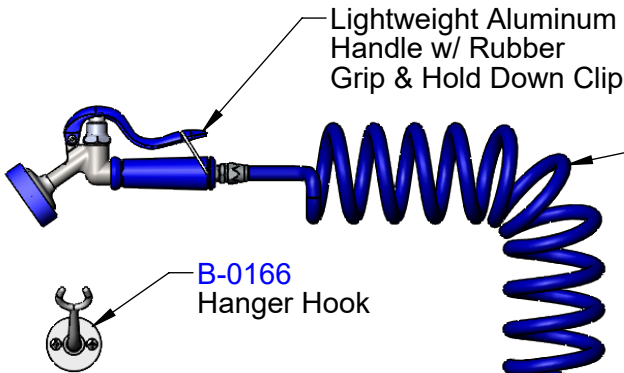
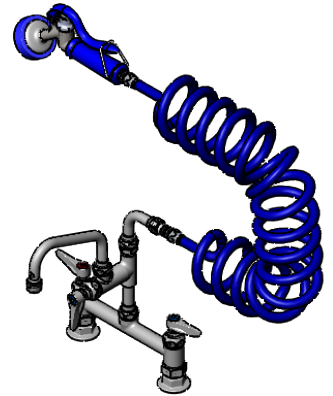
Customer/Wholesaler \_\_\_\_\_

Contractor \_\_\_\_\_

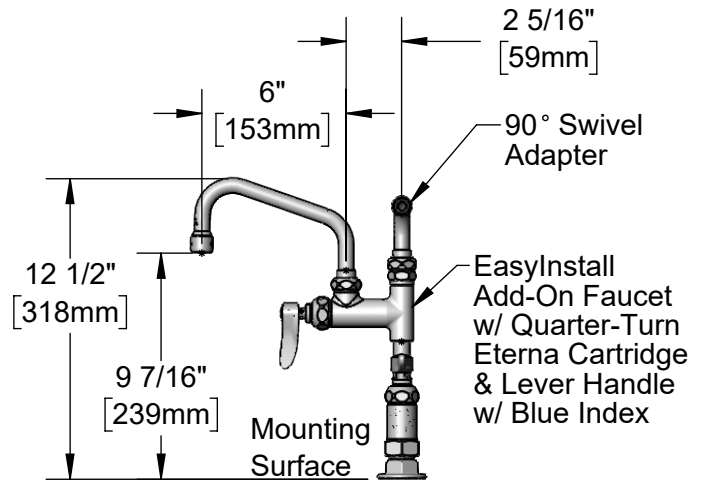
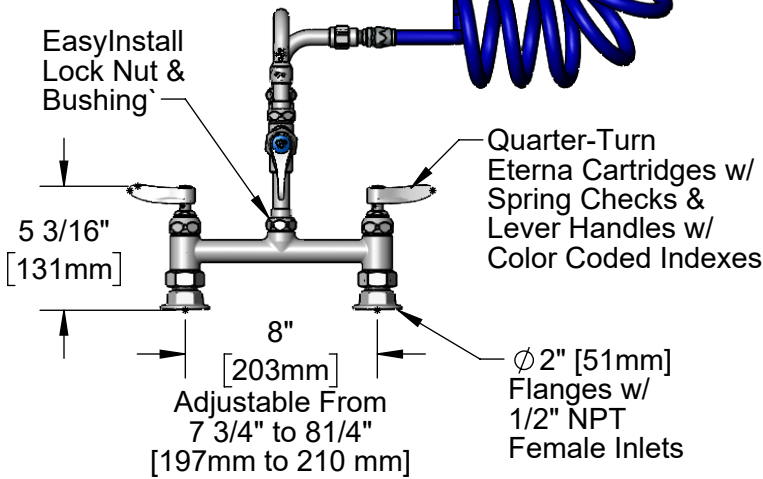
Architect/Engineer \_\_\_\_\_



**059X**  
 6" Swing Nozzle w/  
 Stream Regulator Outlet



Coiled Polyurethane Hose  
 Maximum Stretch Length of 9 ft



**Product Specifications:**  
 Pet Grooming Unit:  
 8" Deck Mount Mixing Faucet, Quarter-Turn Eterna Cartridges w/ Spring Checks, Lever Handles, Add-On Faucet, 6" Swing Nozzle, Swivel Arm Less Vacuum Breaker, 9 ft Coiled Polyurethane Hose w/ Angled Aluminum Spray Valve & 1/2" NPT Female Inlets

**Product Compliance:**  
 ASME A112.18.1 / CSA B125.1  
 NSF 61 Exempt (Non-Potable)



# T&S BRASS AND BRONZE WORKS, INC.

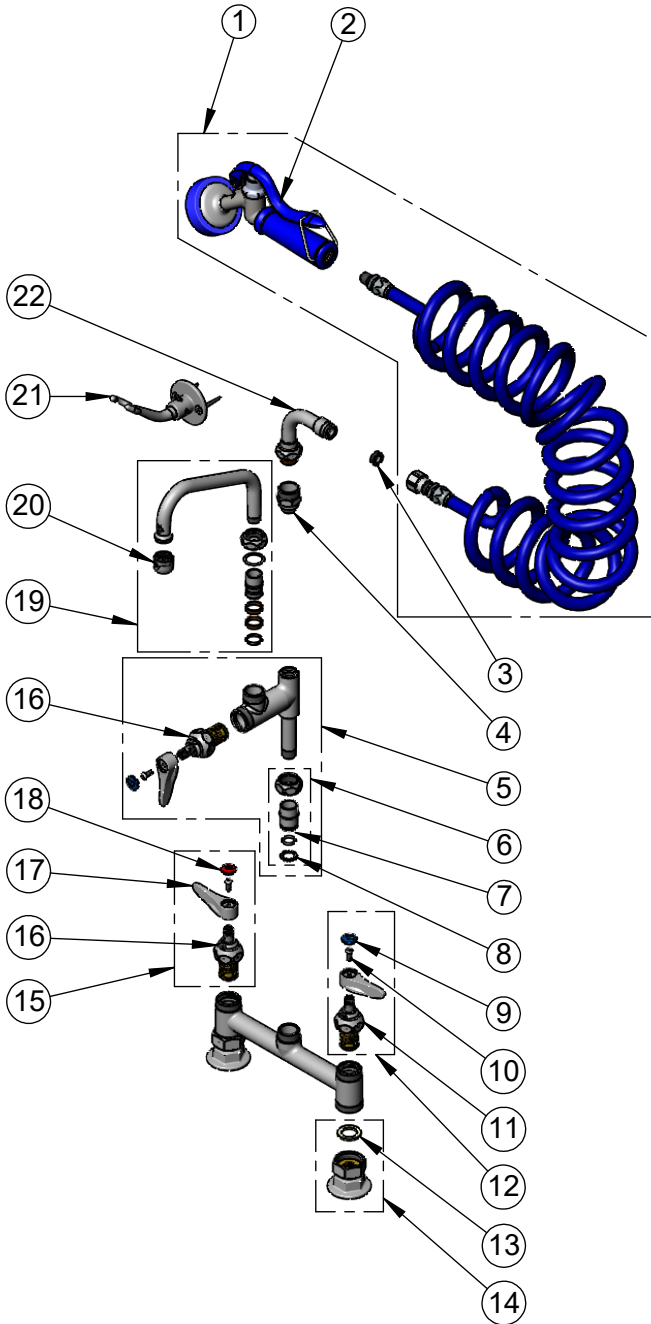
2 Saddleback Cove / P.O. Box 1088  
Travelers Rest, SC 29690

Model No.

**PG-8DSAN-06**

Item No.

Travelers Rest, SC: 800-476-4103 • Simi Valley, CA: 800-423-0150 • Fax: 864-834-3518 • www.tsbrass.com



ITEM NO.	SALES NO.	DESCRIPTION
1	<a href="#">PG-35AV-CH05</a>	Spray Valve w/ 9' of Coiled Hose
2	<a href="#">PG-35AV</a>	Aluminum 35° Spray Valve
3	<a href="#">010476-45</a>	#27 Washer
4	<a href="#">B-0412</a>	Rigid to Swivel Adapter
5	<a href="#">B-0155-LNEZ</a>	EasyInstall Add-On Faucet, Eterna Cartridge & Lever Handle, Less Nozzle
6	<a href="#">EZ-K</a>	EasyInstall Kit
7	<a href="#">001065-45</a>	O-Ring
8	<a href="#">014200-45</a>	Star Washer, Anti-Rotation
9	<a href="#">018506-19NS</a>	Blue Button Index, Press-in
10	<a href="#">000925-45</a>	Lab Handle Screw
11	<a href="#">012442-40NS</a>	Quarter-Turn Eterna Cartridge w/ Spring Check, LTC
12	<a href="#">002711-40NS</a>	Quarter-Turn Eterna Cartridge w/ Spring Check, Handle, Blue Index & Screw, LTC
13	<a href="#">001019-45</a>	Coupling Nut Washer
14	<a href="#">00AA</a>	1/2" NPT Female Eccentric Flange
15	<a href="#">002712-40NS</a>	Quarter-Turn Eterna Cartridge w/ Spring Check, Handle, Red Index & Screw, RTC
16	<a href="#">012443-40NS</a>	Quarter-Turn Eterna Cartridge w/ Spring Check, RTC
17	<a href="#">001638-45NS</a>	Lever Handle (New Style)
18	<a href="#">001193-19NS</a>	Red Button Index, Press-in
19	<a href="#">059X</a>	6" Swing Nozzle w/ Stream Regulator Outlet
20	<a href="#">B-PT</a>	Full Flow Stream Regulator, 55/64-27
21	<a href="#">B-0166</a>	Wall Hook
22	<a href="#">034A</a>	Spray Valve 90° Angle Tube

**Product Specifications:**

**Pet Grooming Unit:**

8" Deck Mount Mixing Faucet, Quarter-Turn Eterna Cartridges w/ Spring Checks, Lever Handles, Add-On Faucet, 6" Swing Nozzle, Swivel Arm Less Vacuum Breaker, 9 ft Coiled Polyurethane Hose w/ Angled Aluminum Spray Valve & 1/2" NPT Female Inlets

**Product Compliance:**

ASME A112.18.1 / CSA B125.1  
NSF 61 Exempt (Non-Potable)