



**T&S BRASS AND BRONZE WORKS, INC.**  
 2 Saddleback Cove / P.O. Box 1088  
 Travelers Rest, SC 29690

Model No.

**PG-3WV-HS**

Item No.

Travelers Rest, SC: 800-476-4103 • Simi Valley, CA: 800-423-0150 • Fax: 864-834-3518 • www.tsbrass.com

This Space for Architect/Engineer Approval

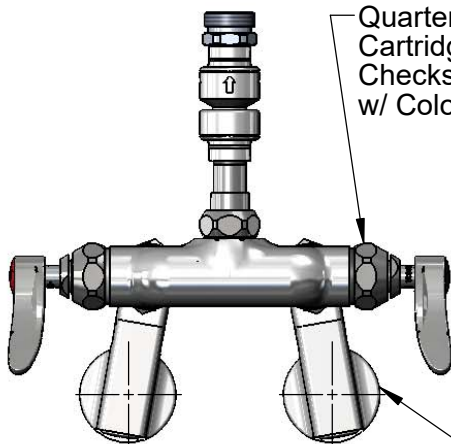
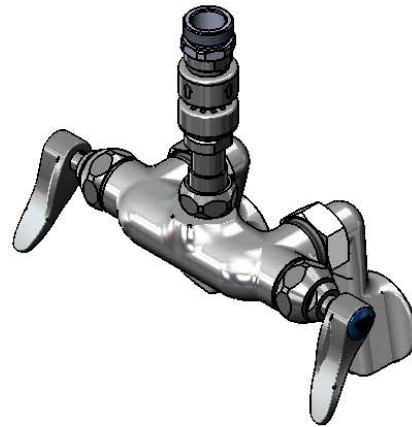
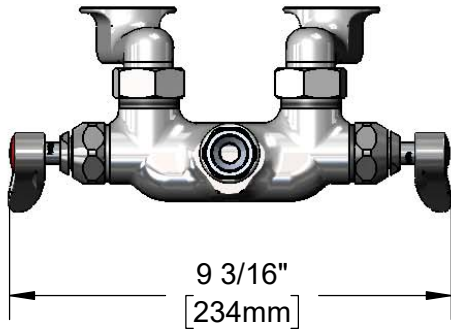
Job Name \_\_\_\_\_ Date \_\_\_\_\_

Model Specified \_\_\_\_\_ Quantity \_\_\_\_\_

Customer/Wholesaler \_\_\_\_\_

Contractor \_\_\_\_\_

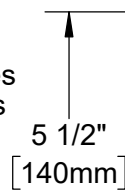
Architect/Engineer \_\_\_\_\_



Quarter-Turn Eterna Cartridges w/ Spring Checks & Lever Handles w/ Color Coded Indexes

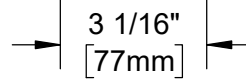
Adjustable from 2 1/4" to 8 1/4" [57mm to 210mm] Above or Below Centerline

Ø2" [51mm] Wall Flange w/ 1/2" NPT Female Inlet



Male Garden Hose Outlet

**B-0970-FEZ** Continuous Pressure Vacuum Breaker



Product Specifications:

Pet Groom Faucet: Adjustable Wall Mount Mixing Faucet, Quarter-Turn Eterna Cartridges w/ Spring Checks, Lever Handles w/ Adjustable Flanges, Vacuum Breaker & Male Garden Hose Adapter

Product Compliance:

ASME A112.18.1 / CSA B125.1  
 NSF 61 - Section 9  
 NSF 372 (Low Lead Content)  
 ANSI A117.1 (ADA)  
 CSA B64.8 (VB)



# T&S BRASS AND BRONZE WORKS, INC.

2 Saddleback Cove / P.O. Box 1088  
Travelers Rest, SC 29690

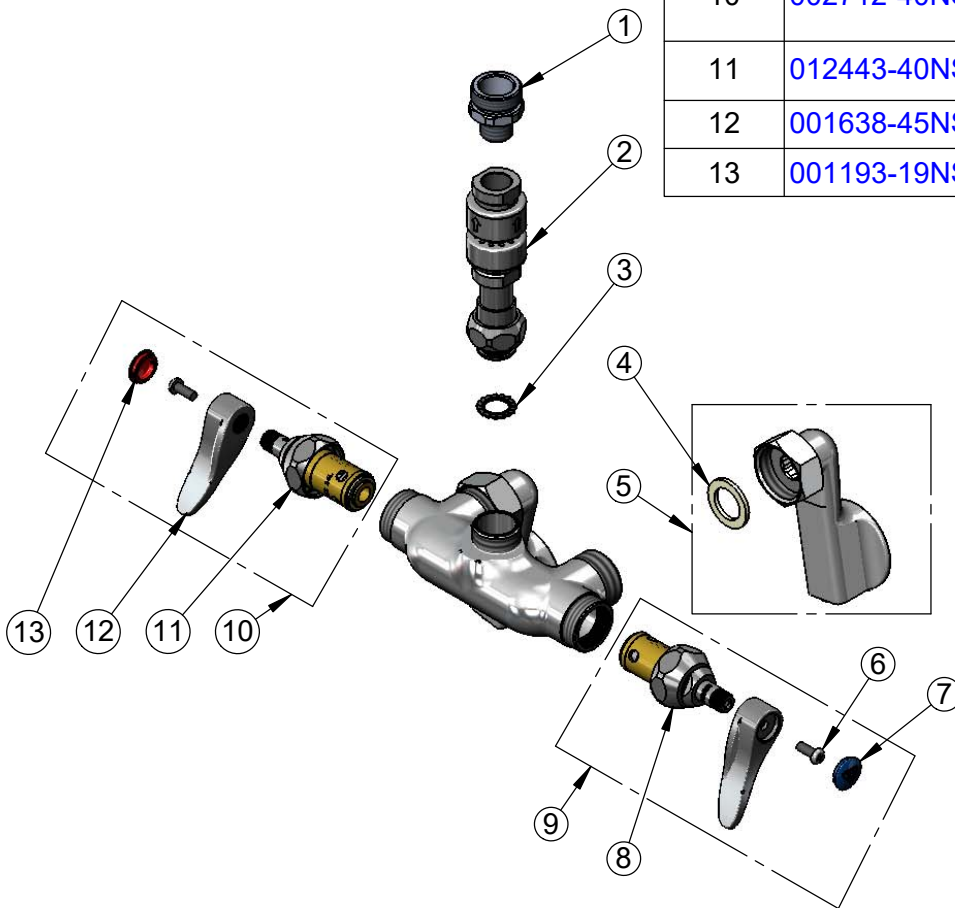
Model No.

**PG-3WV-HS**

Item No.

Travelers Rest, SC: 800-476-4103 • Simi Valley, CA: 800-423-0150 • Fax: 864-834-3518 • www.tsbrass.com

ITEM NO.	SALES NO.	DESCRIPTION
1	004712-25	Adapter, 3/8" NPT Male x GH Male
2	B-0970-FEZ	3/8" NPT Vacuum Breaker
3	014200-45	Star Washer, Anti-Rotation
4	001019-45	Coupling Nut Washer
5	00GG	1/2" NPT Female Adjustable Arm Flange
6	000925-45	Lab Handle Screw
7	018506-19NS	Blue Button Index, Press-in
8	012442-40NS	Quarter-Turn Eterna Cartridge w/ Spring Check, LTC
9	002711-40NS	Quarter-Turn Eterna Cartridge w/ Spring Check, Handle, Blue Index & Screw, LTC
10	002712-40NS	Quarter-Turn Eterna Cartridge w/ Spring Check, Handle, Red Index & Screw, RTC
11	012443-40NS	Quarter-Turn Eterna Cartridge w/ Spring Check, RTC
12	001638-45NS	Lever Handle (New Style)
13	001193-19NS	Red Button Index, Press-in



**Product Specifications:**

Pet Groom Faucet: Adjustable Wall Mount Mixing Faucet, Quarter-Turn Eterna Cartridges w/ Spring Checks, Lever Handles w/ Adjustable Flanges, Vacuum Breaker & Male Garden Hose Adapter

**Product Compliance:**

ASME A112.18.1 / CSA B125.1  
NSF 61 - Section 9  
NSF 372 (Low Lead Content)  
ANSI A117.1 (ADA)  
CSA B64.8 (VB)