



T&S BRASS AND BRONZE WORKS, INC.
 2 Saddleback Cove / P.O. Box 1088
 Travelers Rest, SC 29690

Model No.
PG-35AV

Item No.

Travelers Rest, SC: 800-476-4103 • Simi Valley, CA: 800-423-0150 • Fax: 864-834-3518 • www.tsbrass.com

This Space for Architect/Engineer Approval

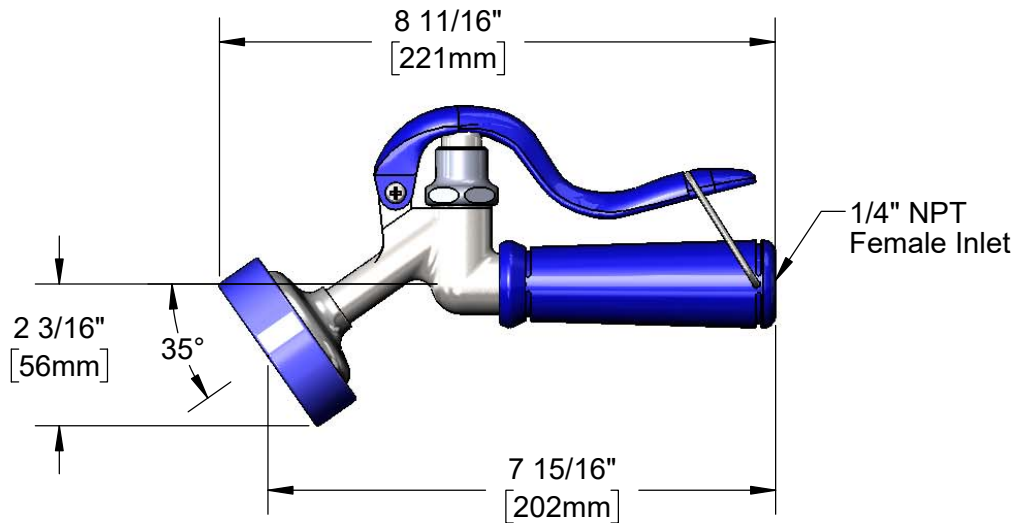
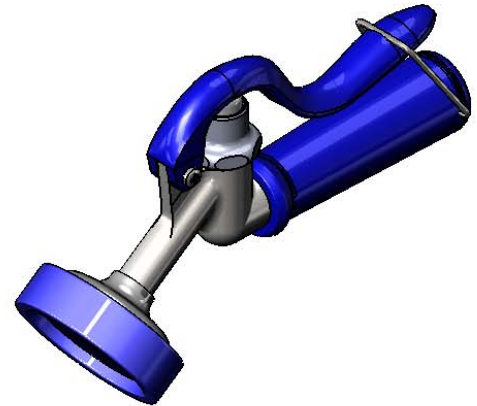
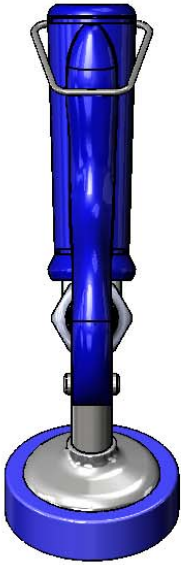
Job Name _____ Date _____

Model Specified _____ Quantity _____

Customer/Wholesaler _____

Contractor _____

Architect/Engineer _____



Product Specifications:
 Lightweight Aluminum Angle Spray Valve w/ 1/4" NPT Female Inlet

Product Compliance:
 ASME A112.18.1 / CSA B125.1
 NSF 61 Exempt (Non-Potable)



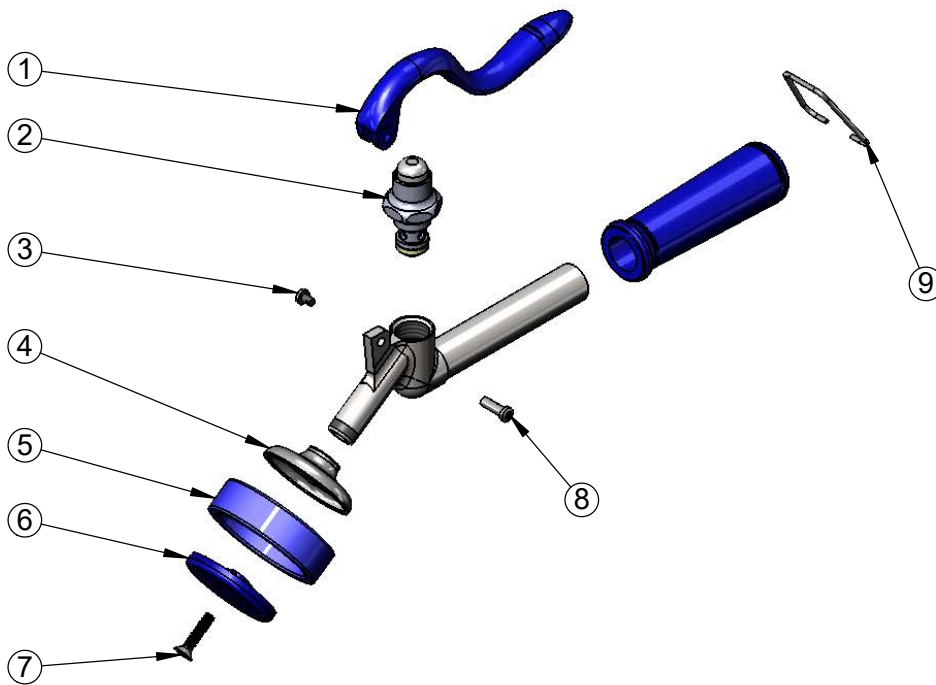
T&S BRASS AND BRONZE WORKS, INC.
 2 Saddleback Cove / P.O. Box 1088
 Travelers Rest, SC 29690

Model No.
PG-35AV

Item No.

Travelers Rest, SC: 800-476-4103 • Simi Valley, CA: 800-423-0150 • Fax: 864-834-3518 • www.tsbrass.com

ITEM NO.	SALES NO.	DESCRIPTION
1	013538-20	Squeeze Valve Handle (Blue)
2	013644-40	Spray Valve Aluminum Bonnet
3	003199-45	Spray Valve Handle Screw
4	000019-40	Spray Cup, B-0107
5	011475-45	Sprayhead Ring (Blue)
6	011456-45	High Flow Spray Face (Blue)
7	000913-45	Screw
8	003198-45	Spray Valve Handle Nut
9	013514-45	Hold Down Clip



Product Specifications:
 Lightweight Aluminum Angle Spray Valve w/ 1/4" NPT Female Inlet

Product Compliance:
 ASME A112.18.1 / CSA B125.1
 NSF 61 Exempt (Non-Potable)