



T&S BRASS AND BRONZE WORKS, INC.

2 Saddleback Cove / P.O. Box 1088
Travelers Rest, SC 29690

Model No.

PG-2347-VH

Item No.

Travelers Rest, SC: 800-476-4103 • Simi Valley, CA: 800-423-0150 • Fax: 864-834-3518 • www.tsbrass.com

This Space for Architect/Engineer Approval

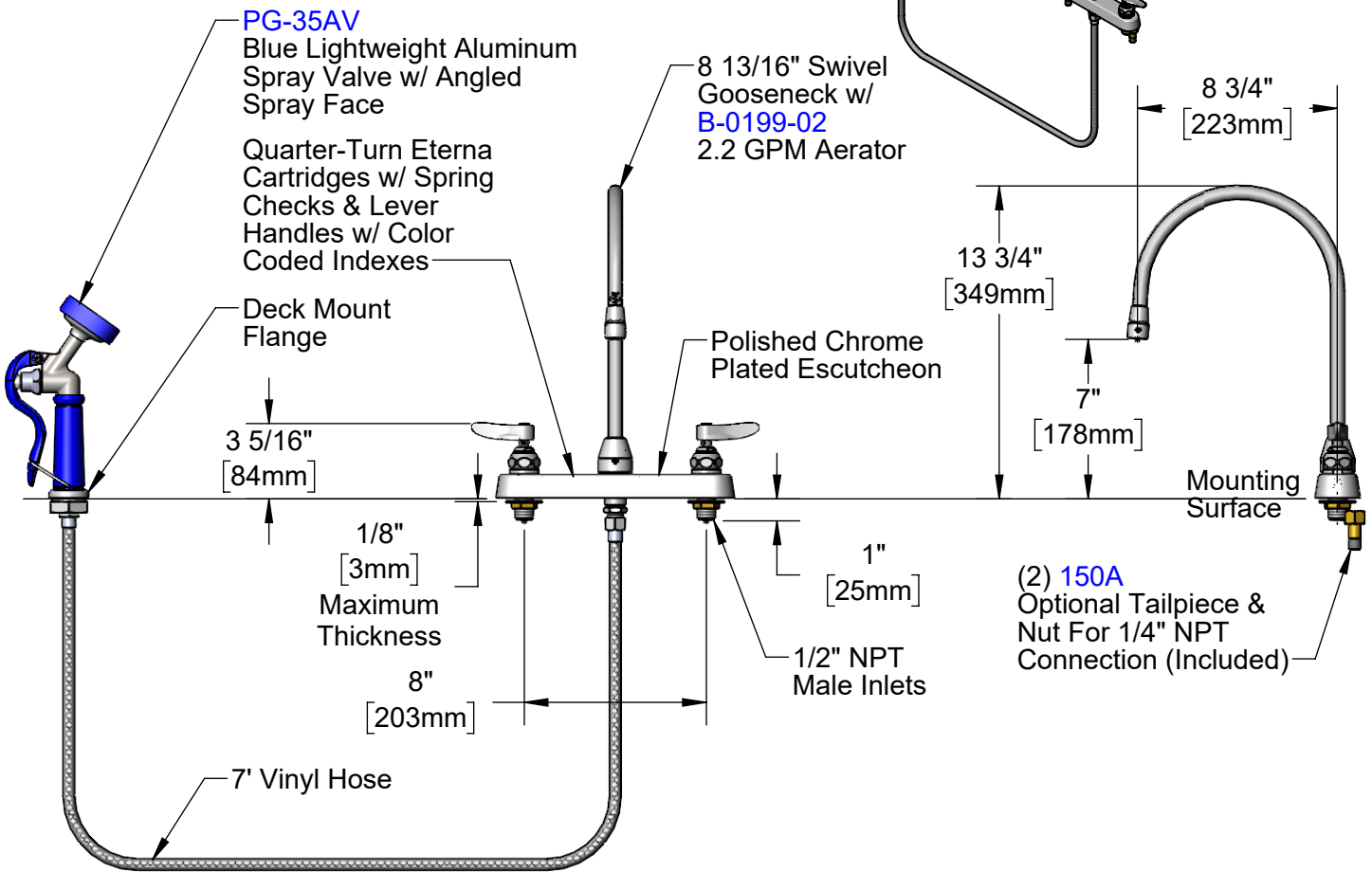
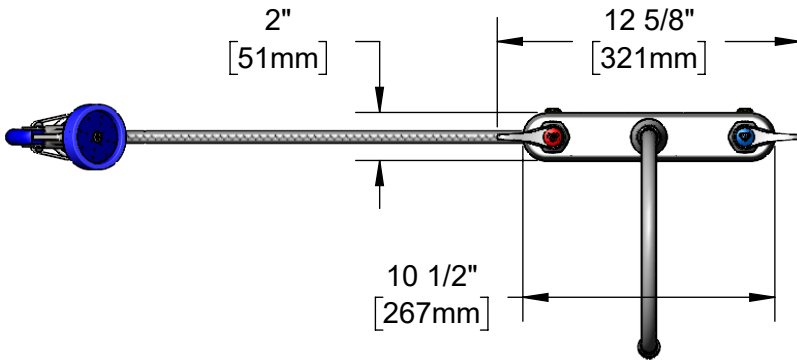
Job Name _____ Date _____

Model Specified _____ Quantity _____

Customer/Wholesaler _____

Contractor _____

Architect/Engineer _____



Rough-In Requirement:
Faucet: (3) Ø 1" [25mm] Mounting Holes
Deck Flange: (1) Ø 1 9/16" Mounting Hole

Product Specifications:
8" Deck Mount Mixing Faucet, Quarter-Turn Eterna Cartridges w/ Spring Checks, Lever Handles, Swivel Gooseneck w/ 2.2 GPM Aerator, 7' Vinyl Hose w/ Lightweight Aluminum Spray Valve, Deck Mount Flange & 1/2" NPT Male Inlets

Product Compliance:
ASME A112.18.1 / CSA B125.1
NSF 61 Exempt (Non-Potable)
2019 DOE PRSV Non-Compliant



T&S BRASS AND BRONZE WORKS, INC.

2 Saddleback Cove / P.O. Box 1088
Travelers Rest, SC 29690

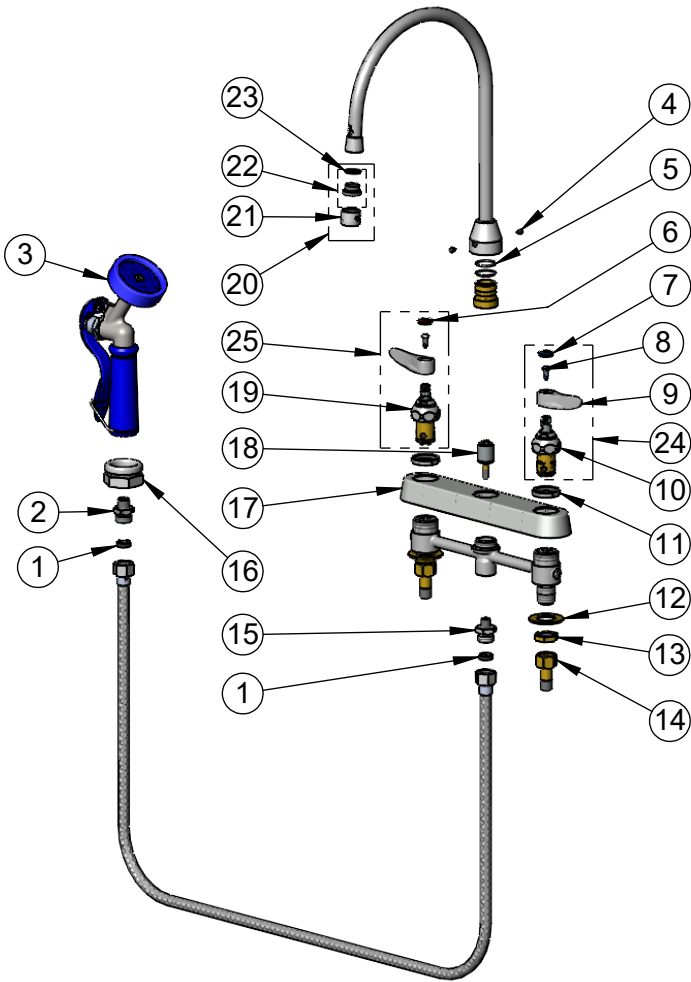
Model No.

PG-2347-VH

Item No.

Travelers Rest, SC: 800-476-4103 • Simi Valley, CA: 800-423-0150 • Fax: 864-834-3518 • www.tsbrass.com

ITEM NO.	SALES NO.	DESCRIPTION
1	010476-45	#27 Washer
2	002584-25	1/4" NPT x 3/4-14 Male Adapter
3	PG-35AV	Blue Lightweight Aluminum Spray Valve w/ Angled Spray Face
4	001486-45	Diverter Cover Screw
5	006562-45	O-Ring
6	001193-19NS	Red Button Index, Press-in
7	018506-19NS	Blue Button Index, Press-in
8	000925-45	Lab Handle Screw
9	001638-45NS	Lever Handle (New Style)
10	012442-40NS	Quarter-Turn New Style Eterna Cartridge w/ Spring Check, LTC
11	019376-40	Escutcheon Lock Nut
12	000999-45	Brass Lock Washer
13	002954-45	Shank Lock Nut
14	150A	1/4" NPT Tailpiece & Nut
15	000542-25	1/8" NPT x 3/4-14 Male Adapter
16	B-KF	Protective Flange For Deck Mounted Spray Hoses
17	019375-40	B-1120 Eterna Workboard Escutcheon
18	002338-45	Valve Diverter Piston
19	012443-40NS	Quarter-Turn New Style Eterna Cartridge w/ Spring Check, RTC
20	B-0199-02	2.2 GPM Aerator, 3/8" NPSM Male
21	B-0199-01	2.2 GPM Aerator, 55/64-27 UN Female
22	044A	3/8" to Aerator Adapter
23	001043-45	Washer
24	002711-40NS	Quarter-Turn Eterna Cartridge w/ Spring Check, Handle, Blue Index & Screw, LTC
25	002712-40NS	Quarter-Turn Eterna Cartridge w/ Spring Check, Handle, Red Index & Screw, RTC



Product Specifications:

8" Deck Mount Mixing Faucet, Quarter-Turn Eterna Cartridges w/ Spring Checks, Lever Handles, Swivel Gooseneck w/ 2.2 GPM Aerator, 7' Vinyl Hose w/ Lightweight Aluminum Spray Valve, Deck Mount Flange & 1/2" NPT Male Inlets

Product Compliance:

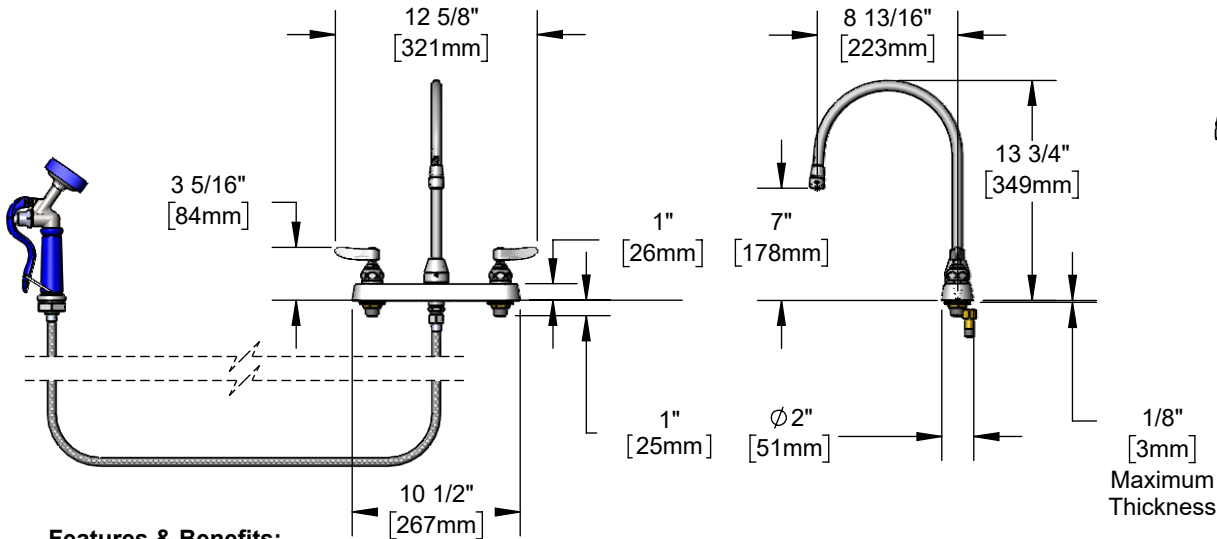
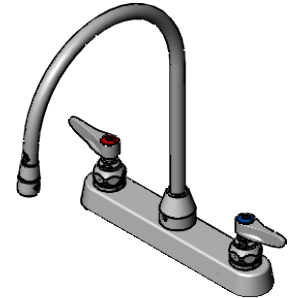
ASME A112.18.1 / CSA B125.1
NSF 61 Exempt (Non-Potable)
2019 DOE PRSV Non-Compliant



Architect/Engineering Specifications:

8" deck mount mixing faucet with chrome plated brass body, 8 13/16" swivel gooseneck with 2.2 GPM aerator, compression cartridges with spring checks, lever handles, 1/2" NPT male inlets, chrome plated escutcheon, 7' vinyl hose with aluminum angled spray valve and hose guide. Certified to ASME A112.18.1/CSA B125.1.

Job Name _____
Model Specified _____ Quantity _____
Variations Specified _____
Date _____



Features & Benefits:

- 8" deck mount mixing faucet w/ chrome plated brass body
8 13/16" swivel gooseneck
2.2 GPM aerator, Series 2 (B-0199-02)
Quarter-turn Eterna compression cartridges with spring checks to prevent cross flow of water
Lever handles w/ color coded indexes
1/2" NPT male inlets
Tailpieces and nuts for 1/4" NPT male connections
7' vinyl hose with aluminum angled spray valve
Deck mount hose guide
Chrome plated escutcheon
Material: Chrome plated brass body & tubular spout, aluminum spray valve body and chrome plated metal handles & escutcheon

Product Compliance:



- ASME A112.18.1 / CSA B125.1
NSF 61 Exempt (Non-Potable)
2019 DOE PRSV Non-Compliant

Warranty: One Year (Limited)

Performance Data:

- Pressure: 20 - 125 psi
Temperature: 40°F - 140°F
Flow Rate:
Nozzle: 2.2 GPM @ 60 psi
Spray Valve: 2.53 GPM @ 60 psi

Optional Outlets (Series 2 / VR Series 7)

Table with 5 columns: GPM, Aerated, Non-Aerated (Laminar), VR Aerated, VR Non-Aerated (VR Laminar). Rows include flow rates from 0.35 to 2.2 GPM and corresponding aerator/outlet options.

Optional Handles

- 4" Wrist Action
Lever (Standard)

Optional Cartridges

- Quarter-Turn Cerama w/ Check Valve
Quarter-Turn Eterna w/ Spring Check (Standard)

