



T&S BRASS AND BRONZE WORKS, INC.
 2 Saddleback Cove / P.O. Box 1088
 Travelers Rest, SC 29690

Model No.

PG-0001

Item No.

Travelers Rest, SC: 800-476-4103 • Simi Valley, CA: 800-423-0150 • Fax: 864-834-3518 • www.tsbrass.com

This Space for Architect/Engineer Approval

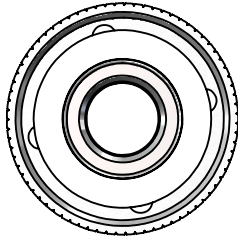
Job Name _____ Date _____

Model Specified _____ Quantity _____

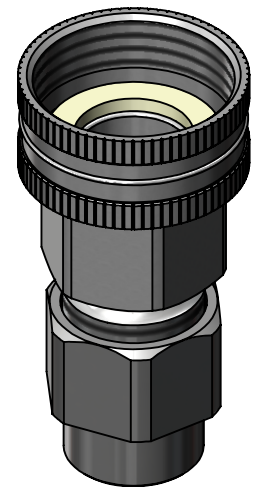
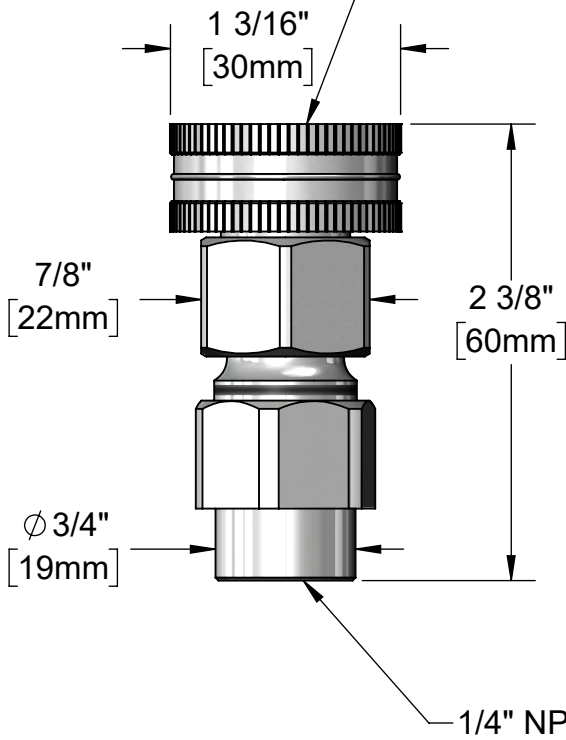
Customer/Wholesaler _____

Contractor _____

Architect/Engineer _____



Garden Hose Female Thread with Washer



Product Specifications:

Pet Grooming Adapter Kit: Connects to Garden Hose Male Outlets & Includes 1/4" NPT Female Thread Outlet

Product Compliance:

NSF 61 Exempt (Non-Potable)



T&S BRASS AND BRONZE WORKS, INC.

2 Saddleback Cove / P.O. Box 1088
Travelers Rest, SC 29690

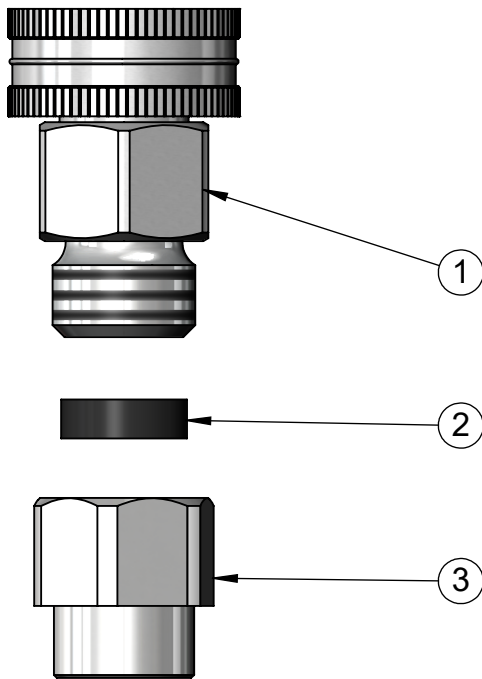
Model No.

PG-0001

Item No.

Travelers Rest, SC: 800-476-4103 • Simi Valley, CA: 800-423-0150 • Fax: 864-834-3518 • www.tsbrass.com

ITEM NO.	SALES NO.	DESCRIPTION
1	059A	Garden Hose Adapter
2	010476-45	#27 Washer
3	000732-25	Hose Outlet Nut



Product Specifications:

Pet Grooming Adapter Kit: Connects to Garden Hose Male Outlets & Includes 1/4" NPT Female Thread Outlet

Product Compliance:

NSF 61 Exempt (Non-Potable)