



**T&S BRASS AND BRONZE WORKS, INC.**  
 2 Saddleback Cove / P.O. Box 1088  
 Travelers Rest, SC 29690

Model No.  
**MV-3516-22**

Item No.

Travelers Rest, SC: 800-476-4103 • Simi Valley, CA: 800-423-0150 • Fax: 864-834-3518 • www.tsbrass.com

This Space for Architect/Engineer Approval

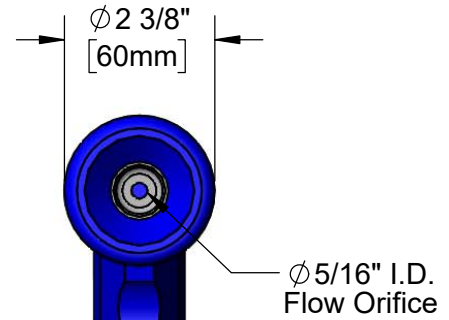
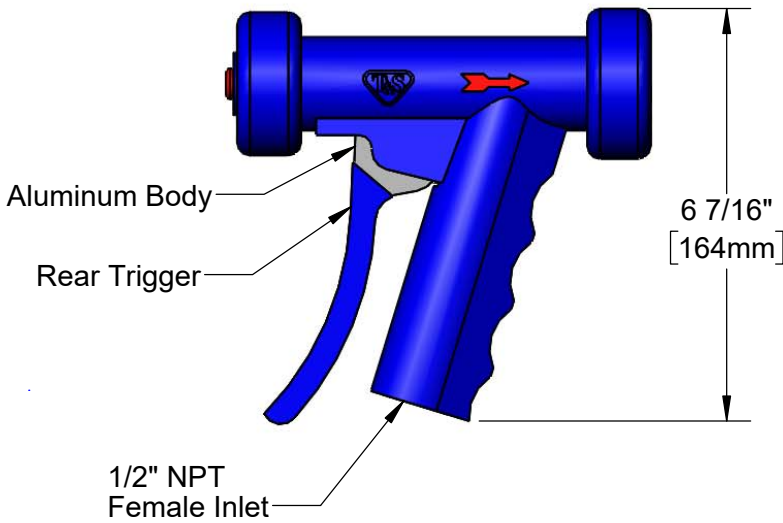
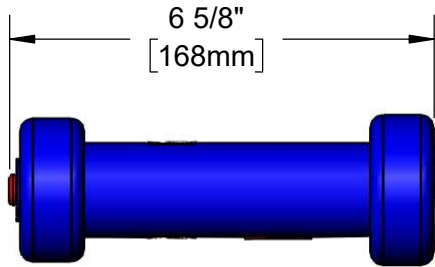
Job Name \_\_\_\_\_ Date \_\_\_\_\_

Model Specified \_\_\_\_\_ Quantity \_\_\_\_\_

Customer/Wholesaler \_\_\_\_\_

Contractor \_\_\_\_\_

Architect/Engineer \_\_\_\_\_



1/2" NPT Male x  
 3/4" Hose Barb

Product Specifications:  
 Aluminum Water Gun, Rear Trigger, 5/16" Flow Orifice, Rubber Cover  
 and 1/2" NPT x 3/4" Hose Barb Adapter

Product Compliance:  
 NSF 61 Exempt (Non-Potable)