



**T&S BRASS AND BRONZE WORKS, INC.**  
 2 Saddleback Cove / P.O. Box 1088  
 Travelers Rest, SC 29690

Model No.  
**MV-1907-12C**

Item No.

Travelers Rest, SC: 800-476-4103 • Simi Valley, CA: 800-423-0150 • Fax: 864-834-3518 • www.tsbrass.com

This Space for Architect/Engineer Approval

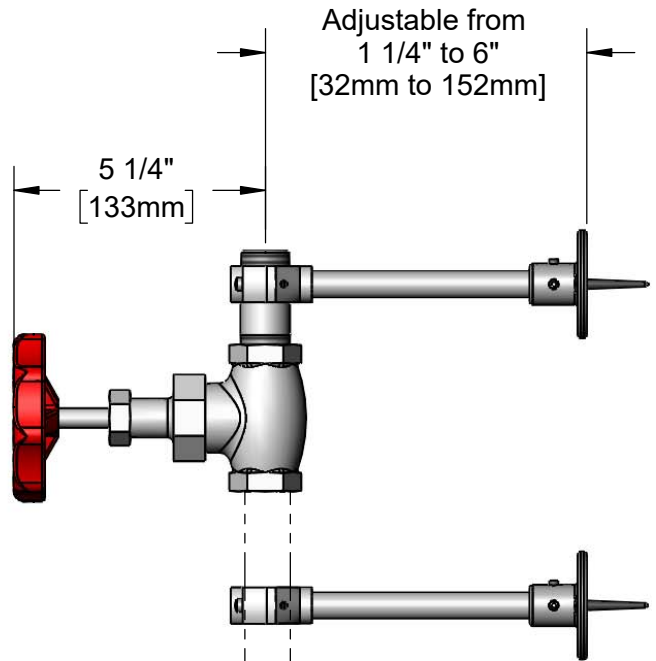
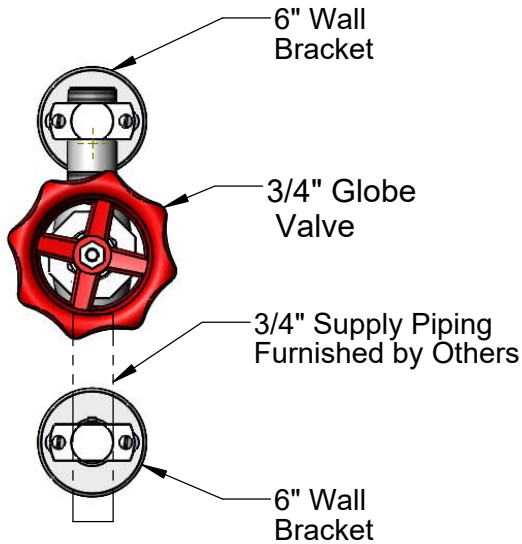
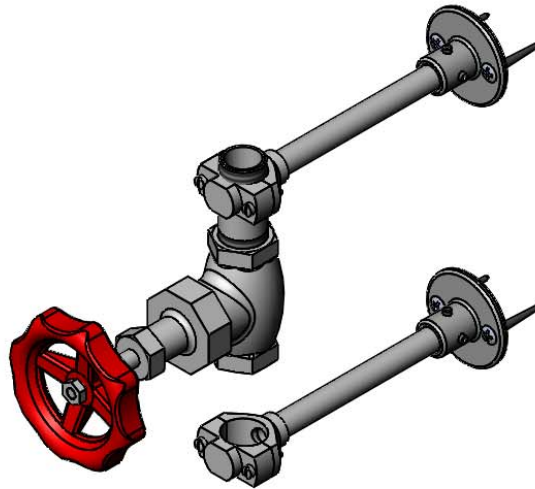
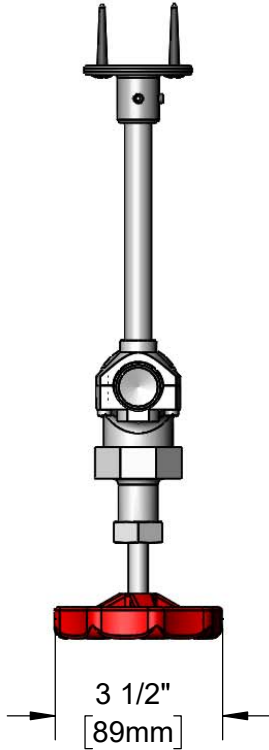
Job Name \_\_\_\_\_ Date \_\_\_\_\_

Model Specified \_\_\_\_\_ Quantity \_\_\_\_\_

Customer/Wholesaler \_\_\_\_\_

Contractor \_\_\_\_\_

Architect/Engineer \_\_\_\_\_



Product Specifications:  
 Chrome Plated 3/4" Globe Valve with 2 1/2" x 3/4" NPT Nipple and (2) 6" Wall Brackets

Product Compliance:  
 NSF 61 Exempt (Non-Potable)



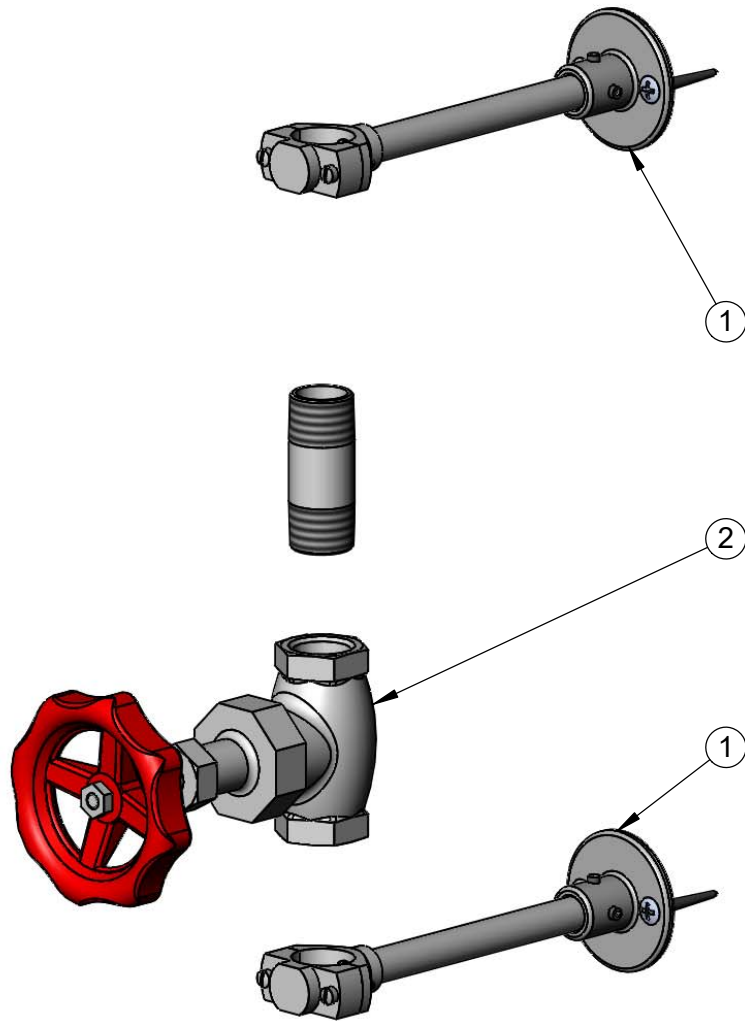
**T&S BRASS AND BRONZE WORKS, INC.**  
2 Saddleback Cove / P.O. Box 1088  
Travelers Rest, SC 29690

Model No.  
**MV-1907-12C**

Item No.

Travelers Rest, SC: 800-476-4103 • Simi Valley, CA: 800-423-0150 • Fax: 864-834-3518 • www.tsbrass.com

ITEM NO.	SALES NO.	DESCRIPTION
1	B-0159	6" Wall Bracket
2	006648-25	3/4" Globe Valve



Product Specifications:  
Chrome Plated 3/4" Globe Valve with 2 1/2" x 3/4" NPT Nipple and (2) 6" Wall Brackets

Product Compliance:  
NSF 61 Exempt (Non-Potable)