

Limited One Year Warranty  
T&S warrants to the original purchaser (other than for purposes of resale) that such product is free from defects in material and workmanship for a period of one (1) year from the date of purchase. During this one-year warranty period, if the product is found to be defective, T&S shall, at its options, repair and/or replace it. To obtain warranty service, products must be returned to...

T&S Brass and Bronze Works, Inc.  
Attn: Warranty Repair Department  
2 Saddleback Cove  
Travelers Rest, SC 29690

Shipping, freight, insurance, and other transportation charges of the product to T&S and the return of repaired or replaced product to the purchaser are the responsibility of the purchaser. Repair and/or replacement shall be made within a reasonable time after receipt by T&S of the returned product. This warranty does not cover items which have received secondary finishing or have been altered or modified after purchase, or for defects caused by physical abuse to or misuse of the product, or shipment of the products.

Any express warranty not provided herein, and any remedy for Breach of Contract which might arise, is hereby excluded and disclaimed. Any implied warranties of merchantability or fitness for a particular purpose are limited to one year in duration. Under no circumstances shall T&S be liable for loss of use or any special consequential costs, expenses or damages.

Some states do not allow limitations on how long an implied warranty lasts or the exclusion or limitation of incidental or consequential damages, so the above limitations or exclusions may not apply to you. Specific rights under this warranty and other rights vary from state to state.

P/N: 098-006165-45 Rev. 3  
Date: 990318  
Drawn: CW  
Checked: MAB 8-10-99  
Approved: MVW 8-6-99

# Installation and Maintenance Instructions



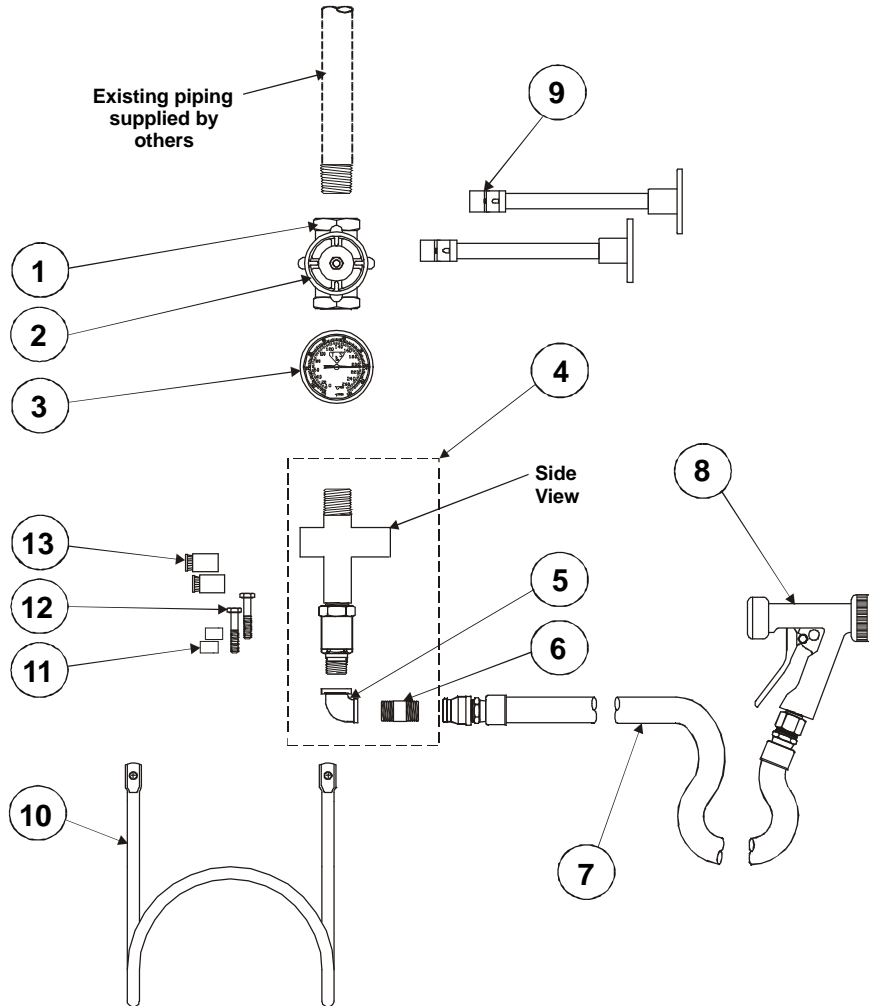
## Washdown Stations MV-1907-01 & B-1455-01

**Deutsch: Installations- und  
Wartungsanleitungen**

**Español: la Instalación y las  
Instrucciones de  
Mantenimiento**

**Français: les Instructions  
d'Installation et  
d'Entretien**

# Exploded View



\* Some items are listed for instructional purposes and may not be sold as separate parts.

# Part Number Guide

## ***Washdown Station Assembly***

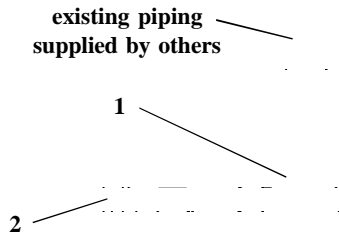
1	Coupling, 1/2" IPS FE Hex Inlet	*
2	Valve, 1/2" Globe	006647-25
3	Thermometer, 50-500 w/T&S Logo	002971-45
4	Asm, Washdown Station, SW 1/2" C	005265-25
5	Elbow, 1/2"	001357-40
6	Nipple, Outlet	001509-40
7	Asm, Hose 1/2"	002969-40
8	Water Gun	002967-45
9	Asm, Wall Bracket 1/2" Pipe	B-0110
10	Bracket, Hose	002970-45
11	Spacer, Hose Rack	003084-45
12	Screw, Hex Cap	003076-45
13	Shield, Anchor Bracket	003077-45

# General Instructions

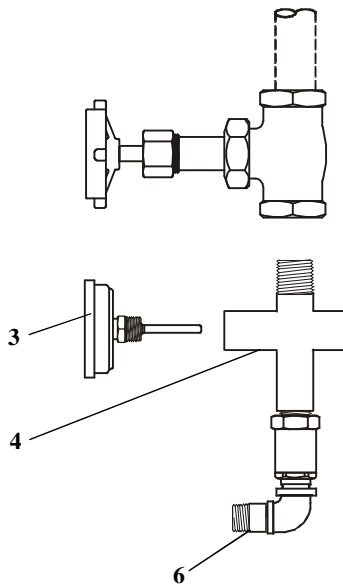
## **Installation:**

*Note: Before installing valve, flush out all supply lines.*

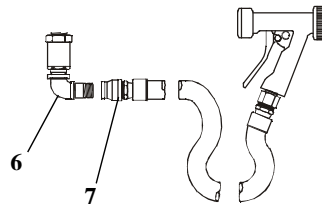
1. Screw no.1 onto bottom of existing supply piping, use Teflon tape or pipe joint compound on threads. **No.2 should face towards front.**



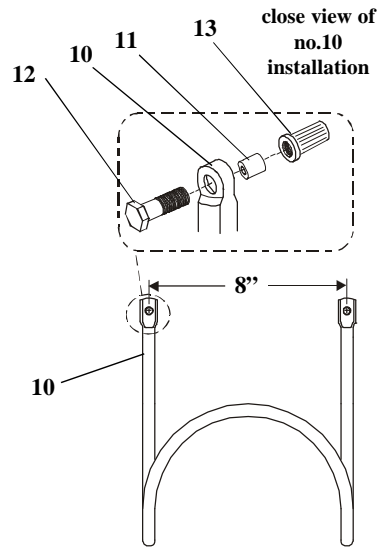
2. Screw no.3 into opening of no.4, use Teflon tape (**Do Not Use Loctite** on threads, as no.3 may need to be replaced at a later date.)



3. Connect no.6 to no.7, use Teflon tape on threaded end of no.6.



4. Mount no.10 to wall (*in a convenient location*) with no.12 and no.13, or other appropriate means. No.11 is provided by T&S Brass



5. Turn on water supply and check for leaks.

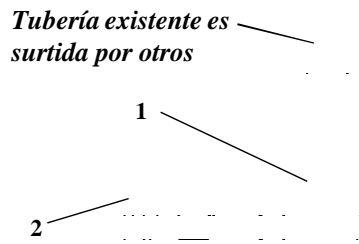
*Note: T&S recommends installing the B-0110 wall brackets supplied with this model.*

# Instrucciones Generales

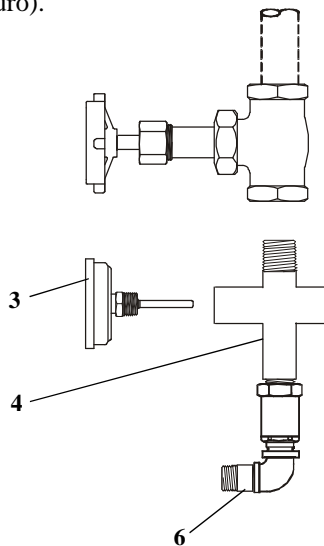
## **Instalación:**

*Nota: Fluya todas las líneas de surtido, antes de instalar la válvula.*

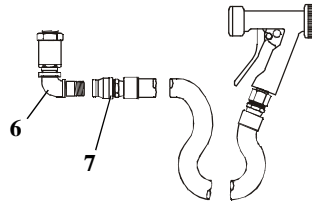
1. Atornille la parte No.1 a la parte de abajo de la tubería surtidora existente, utilice cinta de Teflon o compuesto de coyuntura en las roscas. **La parte No.2 debe ser orientada hacia el frente.**



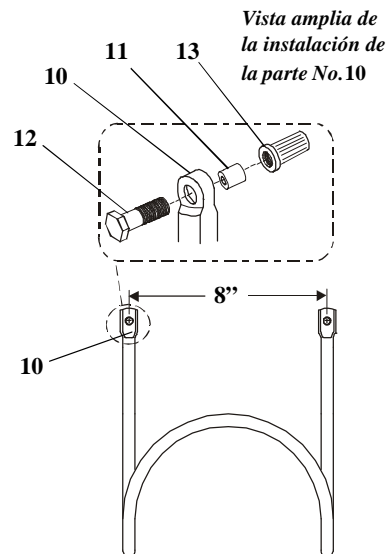
2. Atornille la parte No.3 dentro de la abertura de la parte No.4, utilice cinta de Teflon. (**No utilice Loctite** en las roscas, en caso de que la parte No.3 tenga que ser reemplazada en el futuro).



3. Conecte la parte No.6 a la parte No.7, utilice cinta de Teflon en el extremo con roscas de la parte No.6.



4. Monte la parte No.10 a la pared (**en un sitio conveniente**) con las partes No.12 y No.13, o otros métodos apropiados. La parte No.11 es surtida por T&S Brass.



5. Abra la fuente de agua e inspeccione por filtraciones.

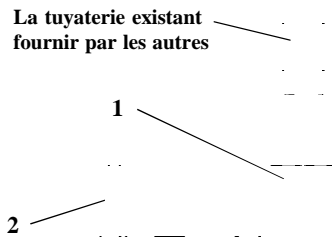
*Nota: T&S recomienda que instale la ménsula de pared B-0110 surtida con este modelo.*

# Instructions Générales

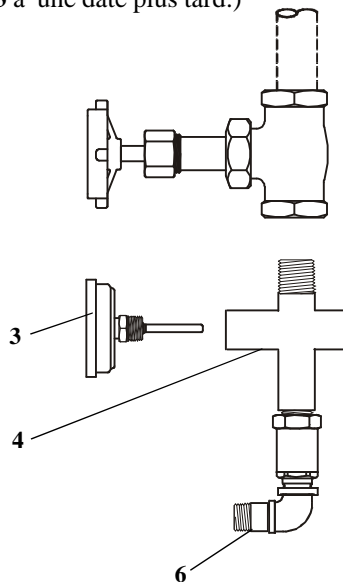
## L'Installation:

*Noter: Avant installer la soupape égoutter la tuyauterie.*

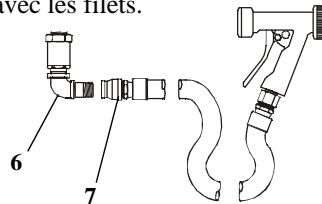
1. Visser N°.1 au fond de la tuyauterie existante en utilisant le ruban en Téflon ou le composé pour les tuyaux aux filets. N°.2 **devoir être vers la face.**



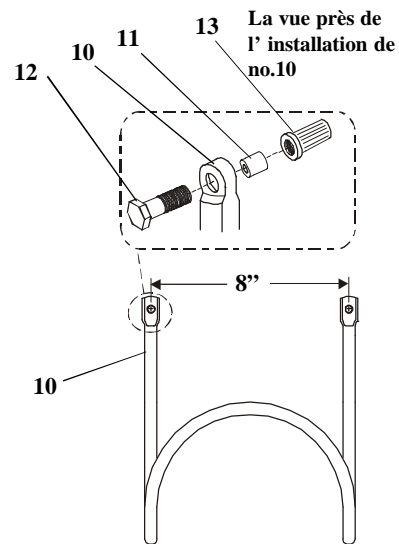
2. Visser N°.3 dans l'ouverture de N°.4, utiliser le ruban en Téflon (N'utiliser pas "Loctite" aux filets, car peut-être il falloir remplacer N°.3 à une date plus tard.)



3. Brancher N°.6 à N°.7, utiliser le ruban en Téflon à l'extrémité de N°.6 avec les filets.



4. Attacher N°.10 au mur (**un emplacement convenable**) avec N°.12 et N°.13, ou par un autre moyen approprié. T & S Brass fournir N°.11



5. Recommencer l'eau et vérifier s'il y a des fuites.

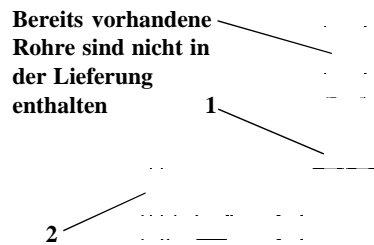
*Noter: T & S Brass vous conseiller d'installer les supports du mur B-0110 fournir avec ce modèle.*

# Allgemeine Anleitungen

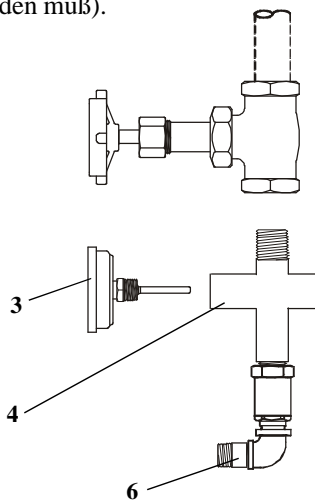
## Installation:

**Hinweis: Bevor Installation des Ventils die Zufuhrleitungen ausspülen.**

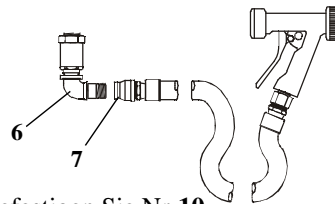
1. Schrauben Sie Nr. 1 am Unterteil des bereits vorhandenen Zufuhrrohres, mit Hilfe von Teflonband oder Rohrkitt am Gewinde, an. Nr. 2 sollte zur Vorderseite zeigen.



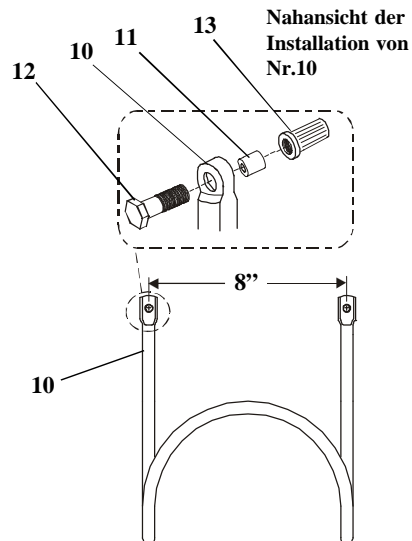
2. Schrauben Sie Nr. 3 in die Öffnung von Nr. 4 unter Zuhilfenahme von Teflonband (**Benutzen Sie kein Loctite, oder ähnliches**, am Gewinde, da Nr. 3 zu einem späteren Zeitpunkt eventuell ausgewechselt werden muß).



3. Verbinden Sie Nr. 6 zu Nr. 7 mit Hilfe von Teflonband am Gewindeende der Nr. 6.



4. Befestigen Sie Nr. 10 zur Wand (an einer günstig gelegenen Stelle) mit Hilfe von Nr. 12 und Nr. 13, oder anderen geeigneten Materialien. Nr. 11 wird von T&S Brass mitgeliefert.



5. Wasserzufuhr andrehen, und auf Dichtheit prüfen.

**Hinweis: T&S Brass empfiehlt dieses Modell mit den mitgelieferten Wandhaltern B-0110 zu installieren.**

**RELATED T&S BRASS PRODUCT LINE**



**MV-0770-02CW**  
**Steam and Water Washdown Station**

---

**T&S BRASS AND BRONZE WORKS, INC.**

A firm commitment to application-engineered plumbing products

2 Saddleback Cove, P.O. Box 1088,  
Travelers Rest, SC 29690

Phone: (864) 834-4102  
Fax: (864) 834-3518

E-mail: [tsbrass@tsbrass.com](mailto:tsbrass@tsbrass.com)

T & S Brass-Europe

'De Veenhoeve'

Oude Nieuwveenseweg 84  
2441 CW Nieuwveen

The Netherlands

