



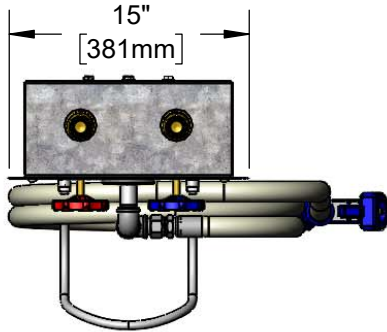
T&S BRASS AND BRONZE WORKS, INC.
 2 Saddleback Cove / P.O. Box 1088
 Travelers Rest, SC 29690

Model No.

MV-0771-12R

Item No.

Travelers Rest, SC: 800-476-4103 • Simi Valley, CA: 800-423-0150 • Fax: 864-834-3518 • www.tsbrass.com



This Space for Architect/Engineer Approval

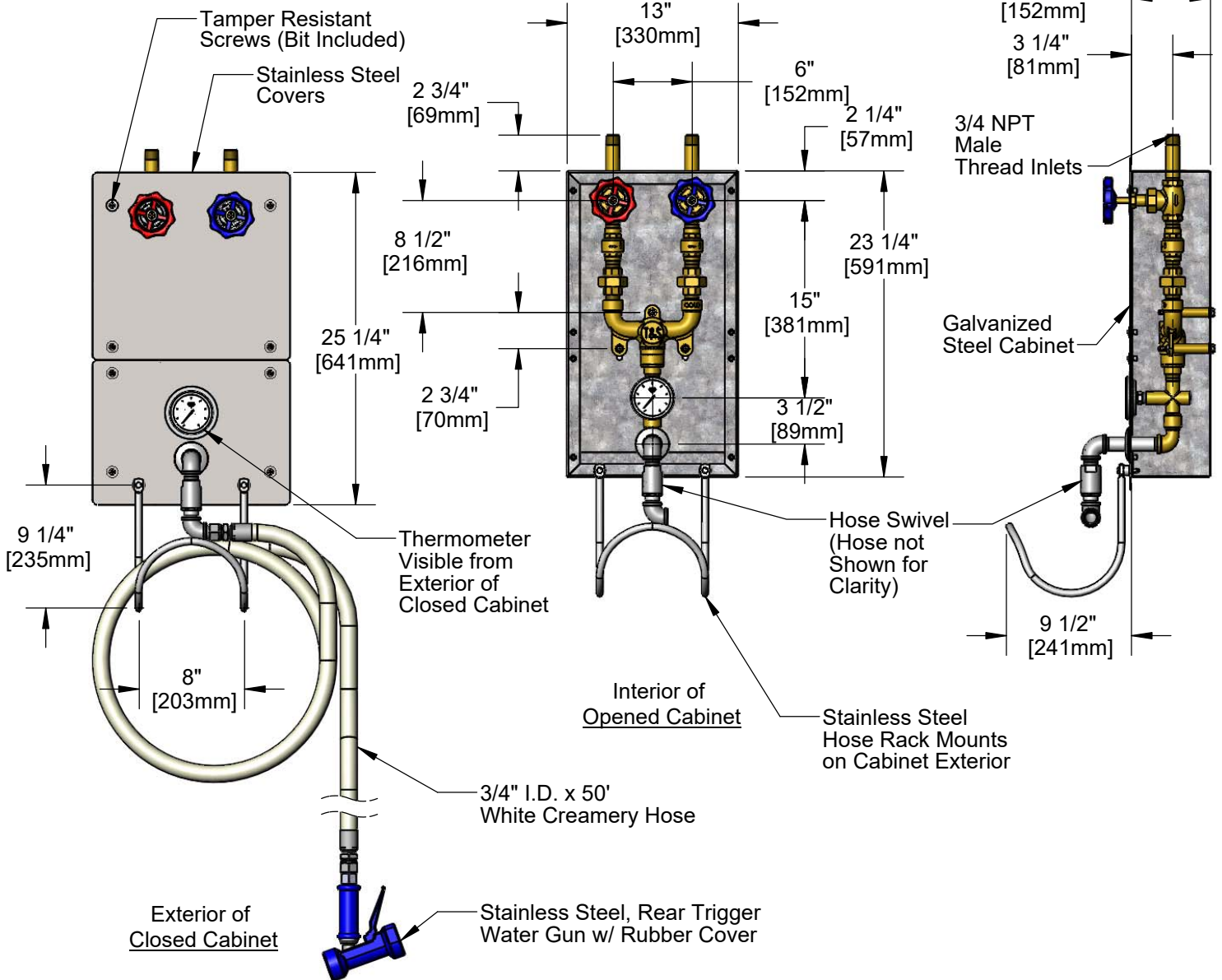
Job Name _____ Date _____

Model Specified _____ Quantity _____

Customer/Wholesaler _____

Contractor _____

Architect/Engineer _____



Product Specifications:
 Recessed Cabinet and Washdown Station w/ Thermometer, Mixing Valve w/ 3/4" NPT Male Thread Inlets, 50 Ft. Hose, Stainless Steel Water Gun & Hose Rack

Product Compliance:
 NSF 61 Exempt (Non-Potable)

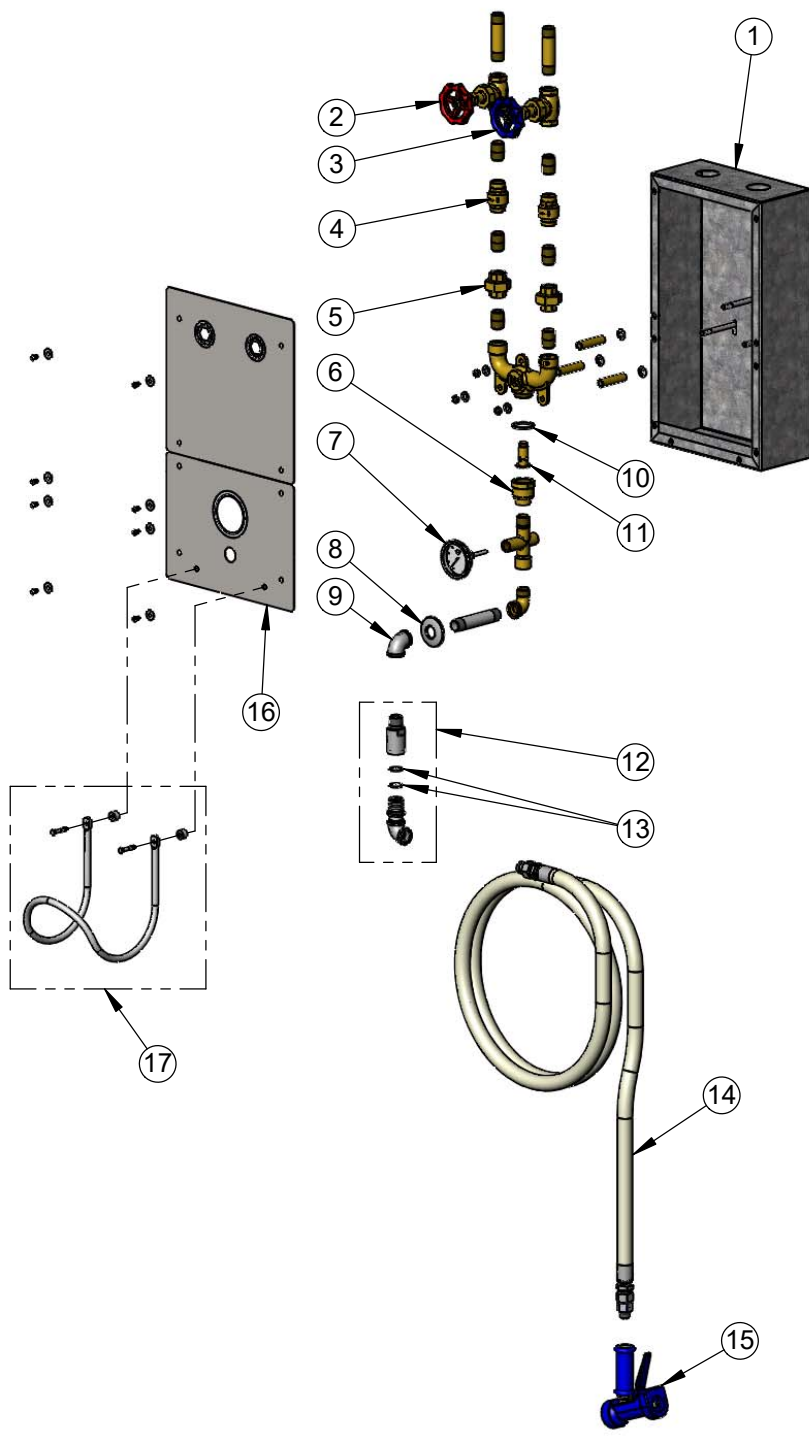


T&S BRASS AND BRONZE WORKS, INC.
 2 Saddleback Cove / P.O. Box 1088
 Travelers Rest, SC 29690

Model No.
MV-0771-12R

Item No.

Travelers Rest, SC: 800-476-4103 • Simi Valley, CA: 800-423-0150 • Fax: 864-834-3518 • www.tsbrass.com



ITEM NO.	SALES NO.	DESCRIPTION
1	006667-45	Recessed Cabinet
2	006648-20R	3/4" Globe Valve - Red Handle
3	006648-20B	3/4" Globe Valve - Blue Handle
4	B-CVH3-4	3/4" Check Valve
5	006650-20	Union, 3/4"
6	015456-20	Nipple, Outlet
7	003799-45	Thermometer, Bi-Metal
8	004831-40	Escutcheon, 3/4" Pipe
9	001720-40	Elbow, Cast 3/4" NPT Female
10	006653-45	Gasket, Outlet Nipple
11	006510-20	Diffuser
12	007252-25	Swivel
13	002721-45	O-ring
14	004980-40	Hose, 3/4" x 50'
15	MV-2516-44	SS Water Gun, 9/16" Orifice
16	005395-45	Cover, Bottom
17	002970-45	Hose rack



017511-45
 Bit for Tamper
 Resistant
 Screws

Product Specifications:
 Recessed Cabinet and Washdown Station w/ Thermometer, Mixing Valve w/
 3/4" NPT Male Thread Inlets, 50 Ft. Hose, Stainless Steel Water Gun &
 Hose Rack

Product Compliance:
 NSF 61 Exempt (Non-Potable)