



T&S BRASS AND BRONZE WORKS, INC.
 2 Saddleback Cove / P.O. Box 1088
 Travelers Rest, SC 29690

Model No.
MV-0771-12R-VB

Item No.

Travelers Rest, SC: 800-476-4103 • Simi Valley, CA: 800-423-0150 • Fax: 864-834-3518 • www.tsbrass.com

This Space for Architect/Engineer Approval

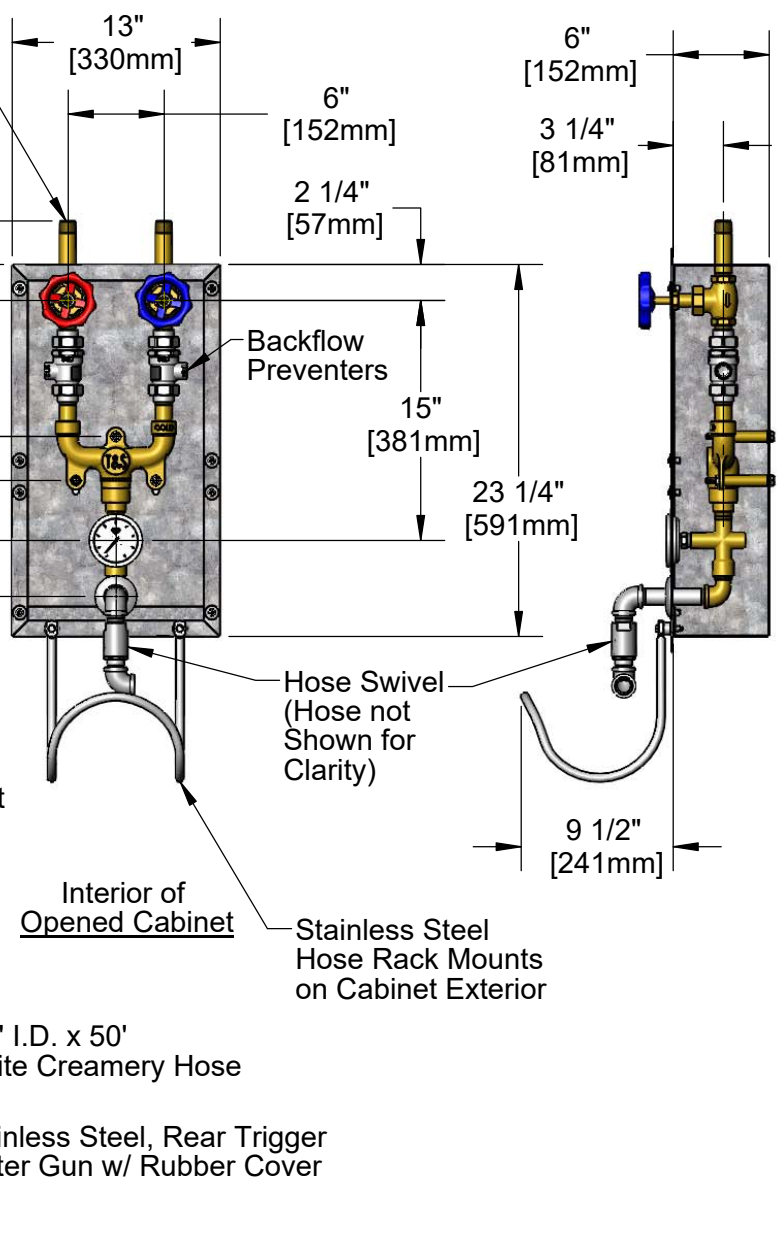
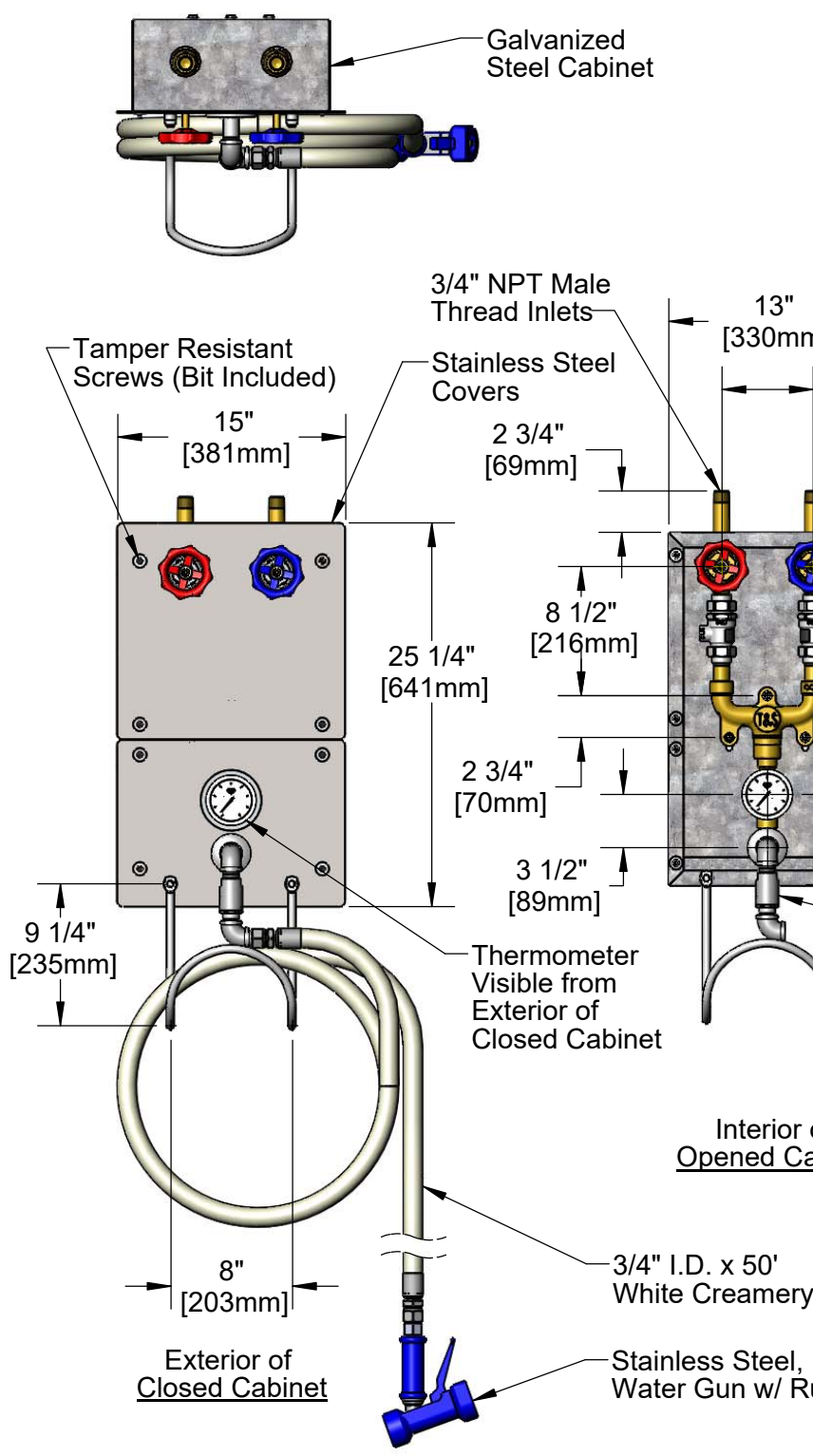
Job Name _____ Date _____

Model Specified _____ Quantity _____

Customer/Wholesaler _____

Contractor _____

Architect/Engineer _____



Product Specifications:
 Recessed Cabinet & Washdown Station w/ Thermometer, Mixing Valve w/ 3/4" NPT Male Inlets, Backflow Preventers, 50' Hose, Stainless Steel Water Gun & Hose Rack

Product Compliance:
 NSF 61 Exempt (Non-Potable)
 ASSE 1012 (VB)



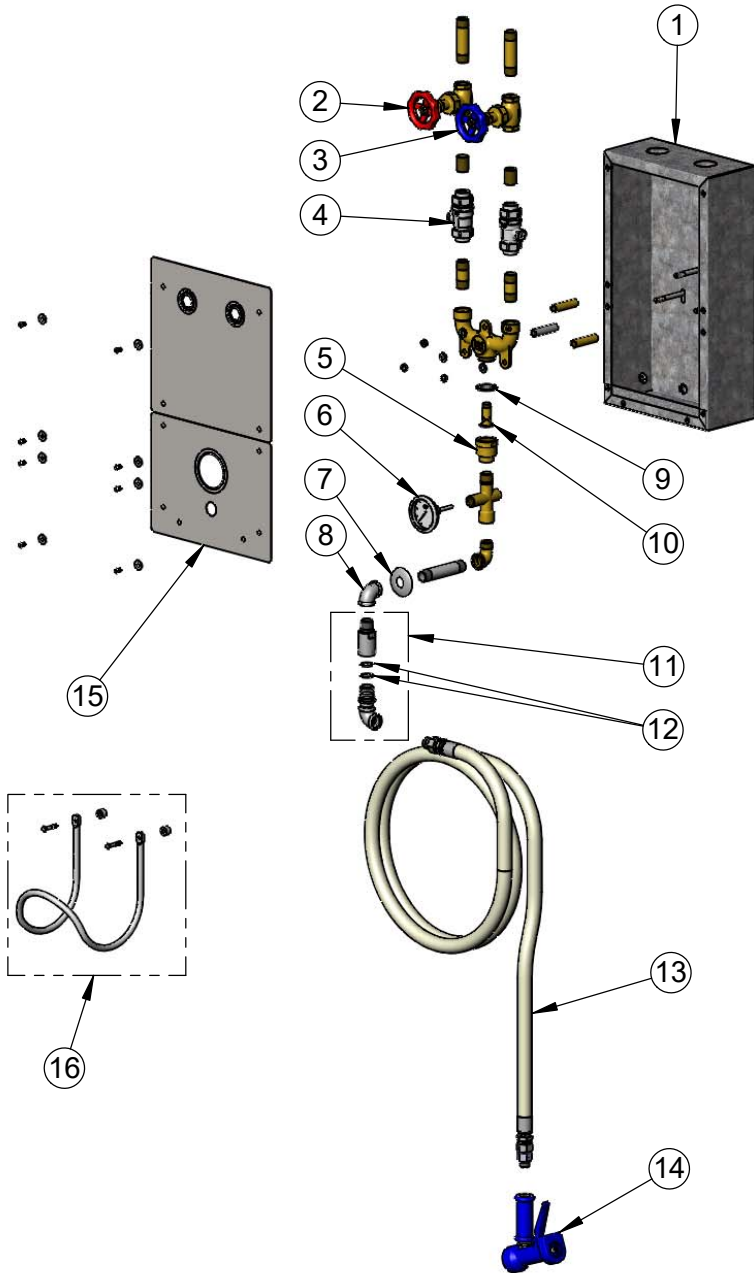
T&S BRASS AND BRONZE WORKS, INC.
 2 Saddleback Cove / P.O. Box 1088
 Travelers Rest, SC 29690

Model No.
MV-0771-12R-VB

Item No.

Travelers Rest, SC: 800-476-4103 • Simi Valley, CA: 800-423-0150 • Fax: 864-834-3518 • www.tsbrass.com

ITEM NO.	SALES NO.	DESCRIPTION
1	006667-45	Recessed Cabinet
2	006648-20R	3/4" Globe Valve - Red Handle
3	006648-20B	3/4" Globe Valve - Blue Handle
4	B-0962	3/4" Continuous Pressure Backflow Preventer
5	015456-20	Nipple, Outlet
6	003799-45	Thermometer, Bi-Metal
7	004831-40	Escutcheon, 3/4" Pipe
8	001720-40	Elbow, Cast 3/4" NPT Female
9	006653-45	Gasket, Outlet Nipple
10	006510-20	Diffuser
11	007252-25	Swivel
12	002721-45	O-ring
13	004980-40	Hose, 3/4" x 50'
14	MV-2516-44	SS Water Gun, 9/16" Orifice
15	005395-45	Cover, Bottom
16	002970-45	Hose Rack



017511-45
 Bit for Tamper
 Resistant
 Screws

Product Specifications:
 Recessed Cabinet & Washdown Station w/ Thermometer, Mixing Valve w/
 3/4" NPT Male Inlets, Backflow Preventers, 50' Hose, Stainless Steel Water
 Gun & Hose Rack

Product Compliance:
 NSF 61 Exempt (Non-Potable)
 ASSE 1012 (VB)