



T&S BRASS AND BRONZE WORKS, INC.

2 Saddleback Cove / P.O. Box 1088
Travelers Rest, SC 29690

Model No.

MV-0771-12C

Item No.

Travelers Rest, SC: 800-476-4103 • Simi Valley, CA: 800-423-0150 • Fax: 864-834-3518 • www.tsbrass.com

This Space for Architect/Engineer Approval

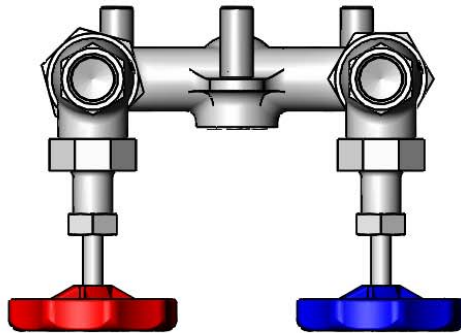
Job Name _____ Date _____

Model Specified _____ Quantity _____

Customer/Wholesaler _____

Contractor _____

Architect/Engineer _____



3/4" Globe Valves
w/ Color Coded
Handles

3/4" Check
Valves

3/4" Union

Ø7/16"
[11mm]

6"
[152mm]

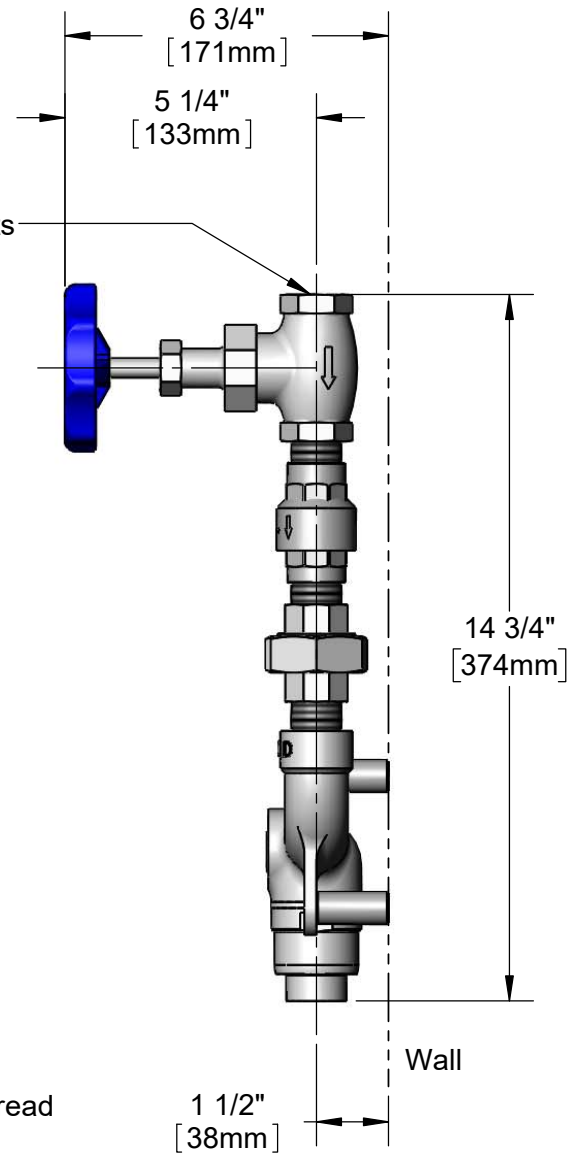
3/4" NPT
Female
Thread Inlets

8 1/2"
[216mm]

2 3/4"
[70mm]

5"
[127mm]

3/4" NPT
Female Thread
Outlet



Product Specifications:

3/4" Mixing Valve w/ Check Valves, Globe Valves & 3/4" NPT Female Connections, Chrome Plated

Product Compliance:

NSF 61 Exempt (Non-Potable)