



**T&S BRASS AND BRONZE WORKS, INC.**

2 Saddleback Cove / P.O. Box 1088  
Travelers Rest, SC 29690

Model No.

**MPZ-2DLV-06**

Item No.

Travelers Rest, SC: 800-476-4103 • Simi Valley, CA: 800-423-0150 • Fax: 864-834-3518 • www.tsbrass.com

This Space for Architect/Engineer Approval

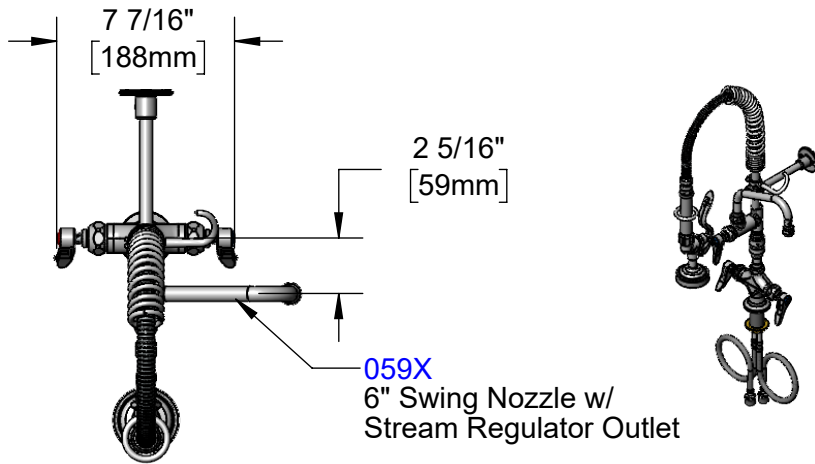
Job Name \_\_\_\_\_ Date \_\_\_\_\_

Model Specified \_\_\_\_\_ Quantity \_\_\_\_\_

Customer/Wholesaler \_\_\_\_\_

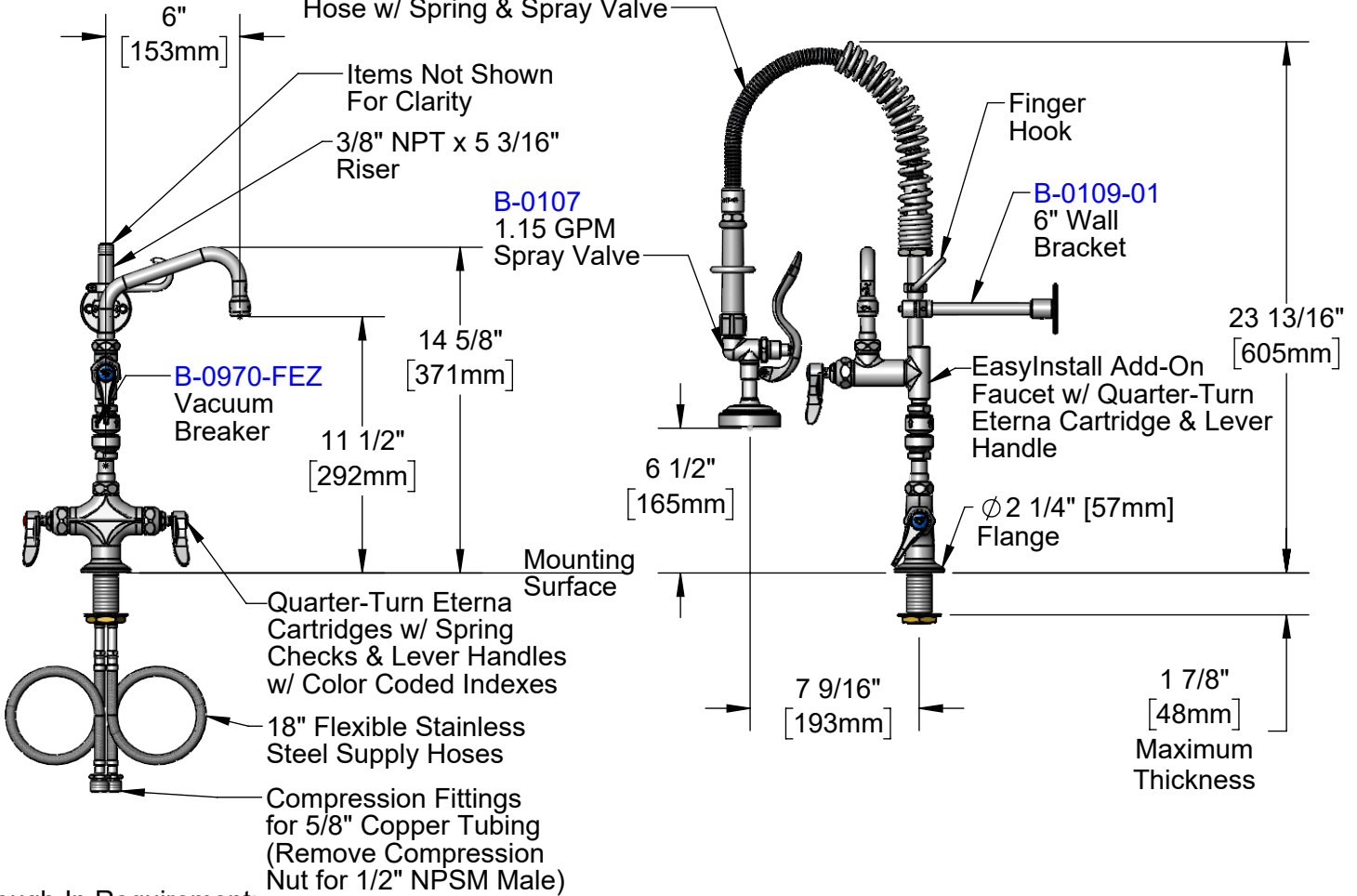
Contractor \_\_\_\_\_

Architect/Engineer \_\_\_\_\_



**059X**  
6" Swing Nozzle w/  
Stream Regulator Outlet

24" Flexible Stainless Steel  
Hose w/ Spring & Spray Valve



**B-0970-FEZ**  
Vacuum  
Breaker

**B-0107**  
1.15 GPM  
Spray Valve

**B-0109-01**  
6" Wall  
Bracket

EasyInstall Add-On  
Faucet w/ Quarter-Turn  
Eterna Cartridge & Lever  
Handle

Ø 2 1/4" [57mm]  
Flange

Rough-In Requirement:  
Ø 1 1/2" [38mm] Mounting Hole

Product Specifications:

Pre-Rinse Unit: EasyInstall Single Hole Deck Mount Mixing Faucet, Quarter-Turn Eterna Cartridges w/ Spring Checks, Lever Handles, Add-On Faucet w/ 6" Swing Nozzle, Compact Spring, 24" Flexible Stainless Steel Hose, 1.15 GPM Spray Valve, Vacuum Breaker, 6" Wall Bracket & Flexible Supply Hoses

Product Compliance:

ASME A112.18.1 / CSA B125.1  
NSF 61 - Section 9  
NSF 372 (Low Lead Content)  
2019 DOE PRSV - Class II  
For Commercial Use Only  
CSA B64.8 (VB)



# T&S BRASS AND BRONZE WORKS, INC.

2 Saddleback Cove / P.O. Box 1088  
Travelers Rest, SC 29690

Model No.

**MPZ-2DLV-06**

Item No.

Travelers Rest, SC: 800-476-4103 • Simi Valley, CA: 800-423-0150 • Fax: 864-834-3518 • www.tsbrass.com

|  | ITEM NO. | SALES NO.   | DESCRIPTION  |
|--|----------|-------------|--|
|  | 1        | B-0107      | 1.15 GPM Spray Valve   |
|  | 2        | 010476-45   | #27 Washer   |
|  | 3        | 000907-45   | Spray Valve Hold Down Ring   |
|  | 4        | 002987-40   | Grip Handle  |
|  | 5        | 001014-45   | Washer, Hose Barrel  |
|  | 6        | B-0024-H2A  | 24" Flexible Stainless Steel Hose, Less Handle                                 |
|  | 7        | 016795-45   | Compact Spring   |
|  | 8        | 000821-40   | Spring Body  |
|  | 9        | 004R        | Finger Hook  |
|  | 10       | B-0109-01   | 6" Wall Bracket  |
|  | 11       | 01617-40    | Nipple, 3/8" NPT x 5-3/16"   |
|  | 12       | EZ-K        | EasyInstall Kit: Nut, Bushing, O-Ring & Lock Washer                            |
|  | 13       | 014200-45   | Star Washer, Anti-Rotation   |
|  | 14       | 012442-40NS | Quarter-Turn Eterna Cartridge w/ Spring Check, LTC                             |
|  | 15       | 001638-45NS | Lever Handle (New Style)   |
|  | 16       | 000925-45   | Lab Handle Screw   |
|  | 17       | 018506-19NS | Blue Button Index, Press-in  |
|  | 18       | 002711-40NS | Quarter-Turn Eterna Cartridge w/ Spring Check, Handle, Blue Index & Screw, LTC |
|  | 19       | 002290-45   | Lock Washer  |
|  | 20       | 000965-45   | Lock Nut   |
|  | 21       | 002712-40NS | Quarter-Turn Eterna Cartridge w/ Spring Check, Handle, Red Index & Screw, RTC  |
|  | 22       | 012443-40NS | Quarter-Turn Eterna Cartridge w/ Spring Check, RTC                             |
|  | 23       | 001193-19NS | Red Button Index, Press-in   |
|  | 24       | B-PT        | Full Flow Stream Regulator   |
|  | 25       | 059X        | 6" Swing Nozzle  |
|  | 26       | 012436-45   | Flexible Connector Hose  |

**Product Specifications:**  
 Pre-Rinse Unit: EasyInstall Single Hole Deck Mount Mixing Faucet, Quarter-Turn Eterna Cartridges w/ Spring Checks, Lever Handles, Add-On Faucet w/ 6" Swing Nozzle, Compact Spring, 24" Flexible Stainless Steel Hose, 1.15 GPM Spray Valve, Vacuum Breaker, 6" Wall Bracket & Flexible Supply Hoses

**Product Compliance:**  
 ASME A112.18.1 / CSA B125.1  
 NSF 61 - Section 9  
 NSF 372 (Low Lead Content)  
 2019 DOE PRSV - Class II  
 For Commercial Use Only  
 CSA B64.8 (VB)