



**T&S BRASS AND BRONZE WORKS, INC.**

2 Saddleback Cove / P.O. Box 1088  
Travelers Rest, SC 29690

Model No.

**MPZ-2DCN-08**

Item No.

Travelers Rest, SC: 800-476-4103 • Simi Valley, CA: 800-423-0150 • Fax: 864-834-3518 • www.tsbrass.com

This Space for Architect/Engineer Approval

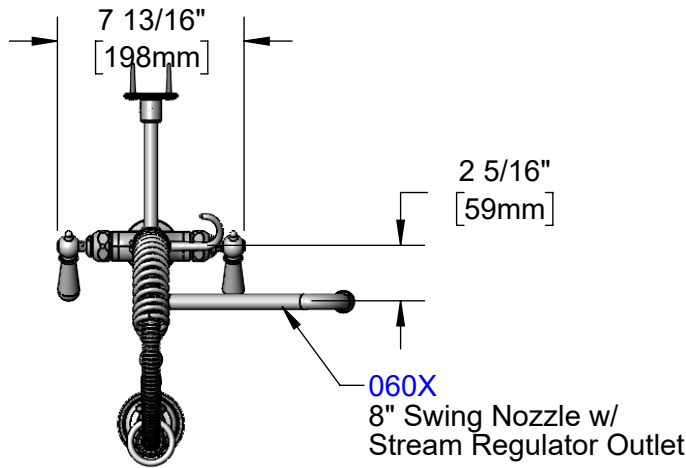
Job Name \_\_\_\_\_ Date \_\_\_\_\_

Model Specified \_\_\_\_\_ Quantity \_\_\_\_\_

Customer/Wholesaler \_\_\_\_\_

Contractor \_\_\_\_\_

Architect/Engineer \_\_\_\_\_

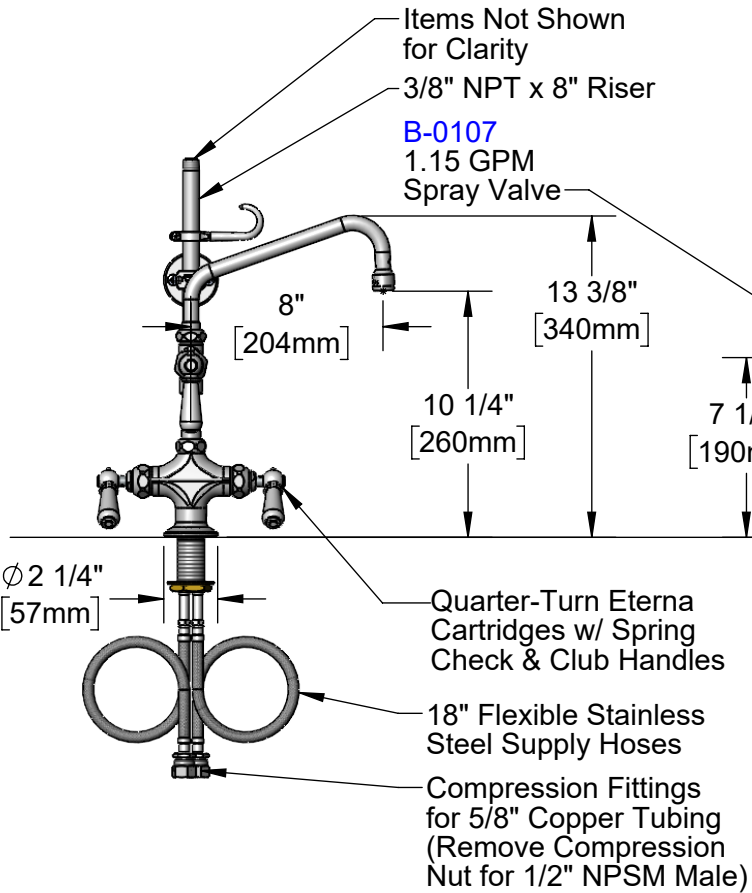


**060X**  
8" Swing Nozzle w/  
Stream Regulator Outlet

24" Flexible Stainless  
Steel Hose w/ Spring  
& Spray Valve

Items Not Shown  
for Clarity  
3/8" NPT x 8" Riser

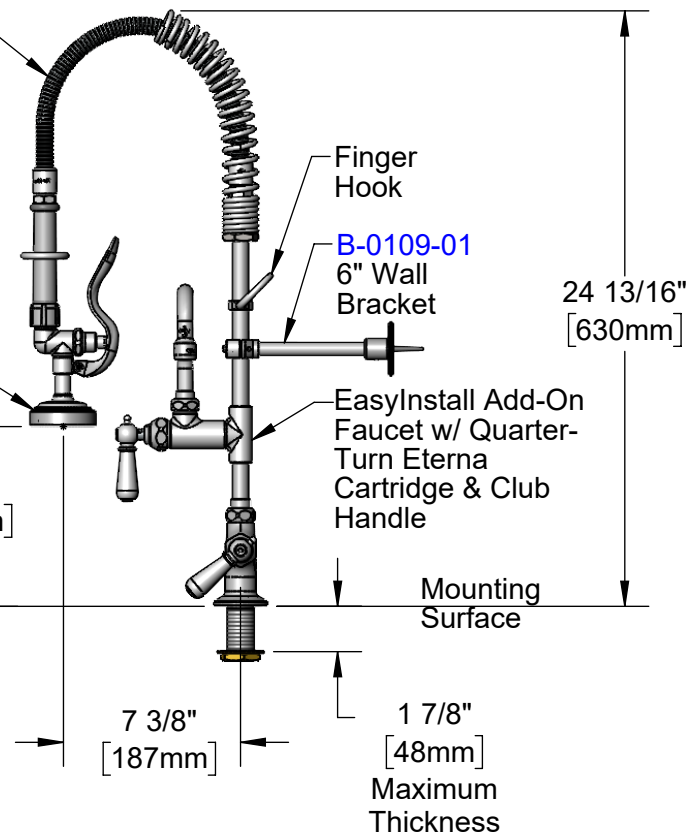
**B-0107**  
1.15 GPM  
Spray Valve



Quarter-Turn Eterna  
Cartridges w/ Spring  
Check & Club Handles

18" Flexible Stainless  
Steel Supply Hoses

Compression Fittings  
for 5/8" Copper Tubing  
(Remove Compression  
Nut for 1/2" NPSM Male)



Finger  
Hook

**B-0109-01**  
6" Wall  
Bracket

EasyInstall Add-On  
Faucet w/ Quarter-  
Turn Eterna  
Cartridge & Club  
Handle

Mounting  
Surface

1 7/8"  
[48mm]  
Maximum  
Thickness

Rough-In Requirement:  
Ø 1 1/2" [Ø 38mm] Mounting Hole

Product Specifications:  
Pre-Rinse Unit: EasyInstall Single Hole Deck Mount Mixing Faucet, Quarter-Turn Eterna Cartridges w/ Spring Checks, Club Handles, Add-On Faucet w/ 8" Swing Nozzle, Compact Spring, 24" Flexible Stainless Steel Hose, 1.15 GPM Spray Valve, 6" Wall Bracket & 18" Flexible Supply Hoses

Product Compliance:  
ASME A112.18.1 / CSA B125.1  
NSF 61 - Section 9  
NSF 372 (Low Lead Content)  
2019 DOE PRSV - Class II  
For Commercial Use Only



# T&S BRASS AND BRONZE WORKS, INC.

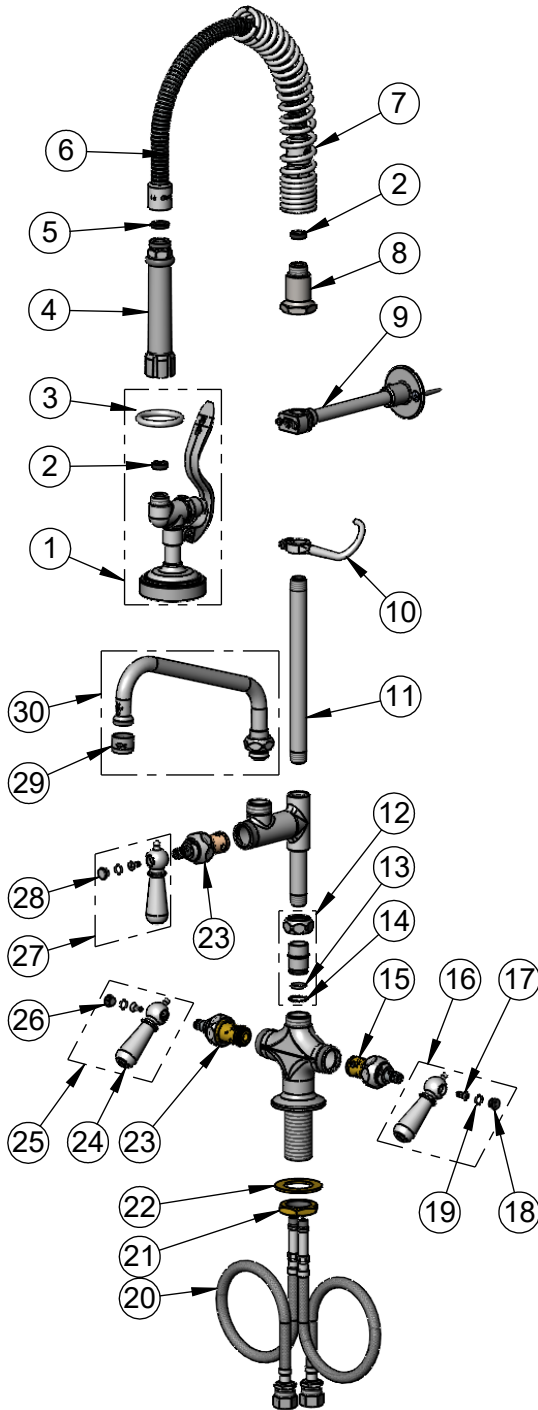
2 Saddleback Cove / P.O. Box 1088  
Travelers Rest, SC 29690

Model No.

**MPZ-2DCN-08**

Item No.

Travelers Rest, SC: 800-476-4103 • Simi Valley, CA: 800-423-0150 • Fax: 864-834-3518 • www.tsbrass.com



ITEM NO.	SALES NO.	DESCRIPTION
1	B-0107	1.15 GPM Spray Valve
2	010476-45	#27 Washer
3	000907-45	Spray Valve Hold Down Ring
4	002987-40	Grip Handle
5	001014-45	Washer, Hose Barrel
6	B-0024-H2A	24" Flexible Stainless Steel Hose, Less Handle
7	016795-45	Compact Spring
8	000821-40	Spring Body
9	B-0109-01	6" Wall Bracket
10	004R	Finger Hook
11	078X	Nipple, 3/8" NPT x 8"
12	EZ-K	EasyInstall Kit
13	001065-45	O-Ring
14	014200-45	Star Washer, Anti-Rotation
15	012442-40NS	Quarter-Turn Eterna Cartridge w/ Spring Check, LTC
16	009331-41	Decorative Handle Kit, Cold
17	000922-45	Lever Handle Screw
18	009304-41	Decorative Cap Insert, Cold
19	001066-45	O-Ring
20	012534-45	Flexible Connector Hose
21	000965-45	Lock Nut
22	002290-45	Lock Washer
23	012443-40NS	Quarter-Turn Eterna Cartridge w/ Spring Check, RTC
24	017229-45	Decorative Club Handle
25	009332-41	Decorative Handle Kit, Hot
26	009303-41	Decorative Cap Insert, Hot
27	017181-41	Decorative Handle Kit, Blank
28	009285-40	Cap Insert, Blank
29	B-PT	Full Flow Stream Regulator, 55/64-27
30	060X	8" Swing Nozzle

**Product Specifications:**

Pre-Rinse Unit: EasyInstall Single Hole Deck Mount Mixing Faucet, Quarter-Turn Eterna Cartridges w/ Spring Checks, Club Handles, Add-On Faucet w/ 8" Swing Nozzle, Compact Spring, 24" Flexible Stainless Steel Hose, 1.15 GPM Spray Valve, 6" Wall Bracket & 18" Flexible Supply Hoses

**Product Compliance:**

ASME A112.18.1 / CSA B125.1  
NSF 61 - Section 9  
NSF 372 (Low Lead Content)  
2019 DOE PRSV - Class II  
For Commercial Use Only