



# T&S BRASS AND BRONZE WORKS, INC.

2 Saddleback Cove / P.O. Box 1088  
Travelers Rest, SC 29690

Model No.

**MPZ-2DCN-08-CR**

Item No.

Travelers Rest, SC: 800-476-4103 • Simi Valley, CA: 800-423-0150 • Fax: 864-834-3518 • www.tsbrass.com

This Space for Architect/Engineer Approval

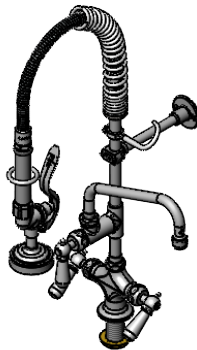
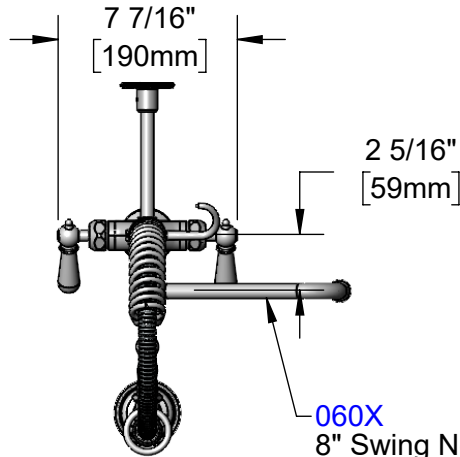
Job Name \_\_\_\_\_ Date \_\_\_\_\_

Model Specified \_\_\_\_\_ Quantity \_\_\_\_\_

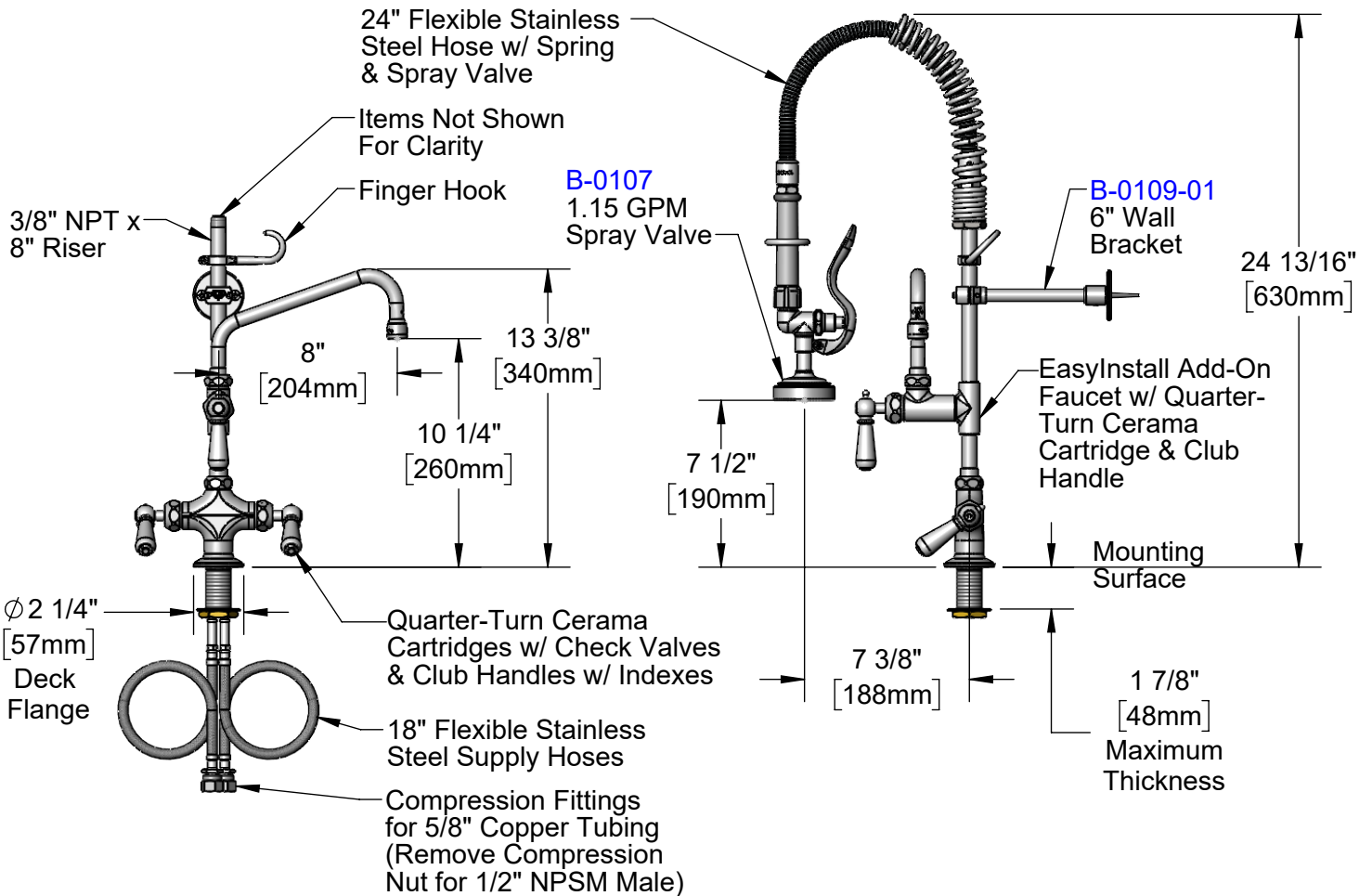
Customer/Wholesaler \_\_\_\_\_

Contractor \_\_\_\_\_

Architect/Engineer \_\_\_\_\_



**060X**  
8" Swing Nozzle w/  
Stream Regulator Outlet



Rough-In Requirement:  
Ø 1 1/2" [38mm] Mounting Hole

**Product Specifications:**

Pre-Rinse Unit: EasyInstall Single Hole Deck Mount Mixing Faucet, Quarter-Turn Cerama Cartridges w/ Check Valves, Club Handles, Add-On Faucet w/ 8" Swing Nozzle, Compact Spring, 24" Flexible Stainless Steel Hose, 1.15 GPM Spray Valve, 6" Wall Bracket & 18" Flexible Supply Hoses

**Product Compliance:**

ASME A112.18.1 / CSA B125.1  
NSF 61 - Section 9  
NSF 372 (Low Lead Content)  
2019 DOE PRSV - Class II  
For Commercial Use Only



# T&S BRASS AND BRONZE WORKS, INC.

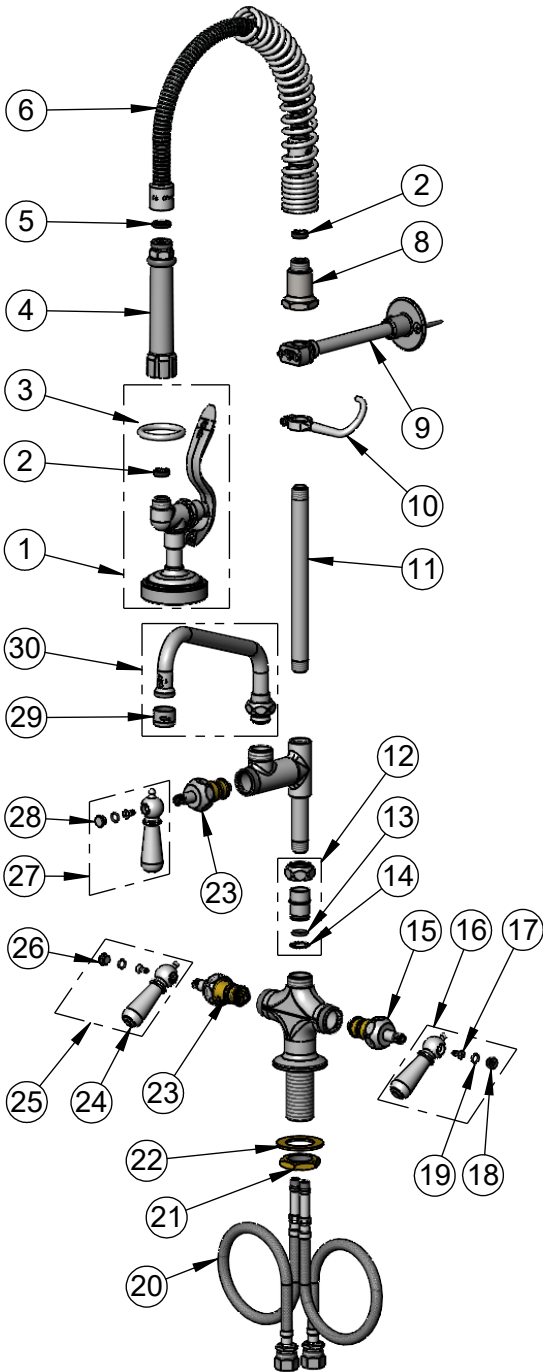
2 Saddleback Cove / P.O. Box 1088  
Travelers Rest, SC 29690

Model No.

**MPZ-2DCN-08-CR**

Item No.

Travelers Rest, SC: 800-476-4103 • Simi Valley, CA: 800-423-0150 • Fax: 864-834-3518 • www.tsbrass.com



ITEM NO.	SALES NO.	DESCRIPTION
1	B-0107	1.15 GPM Spray Valve
2	010476-45	#27 Washer
3	000907-45	Spray Valve Hold Down Ring
4	002987-40	Grip Handle
5	001014-45	Washer, Hose Barrel
6	B-0024-H2A	24" Flexible Stainless Steel Hose, Less Handle
7	016795-45	Compact Spring
8	000821-40	Spring Body
9	B-0109-01	6" Wall Bracket
10	004R	Finger Hook
11	078X	3/8" NPT x 8" Riser
12	EZ-K	EasyInstall Kit
13	001065-45	O-Ring
14	014200-45	Star Washer, Anti-Rotation
15	012395-25NS	Quarter-Turn Cerama Cartridge w/ Check Valve, LTC
16	009331-41	Decorative Club Handle Kit, Cold
17	000922-45	Lever Handle Screw
18	009304-41	Decorative Cap Insert, Cold
19	001066-45	O-Ring
20	012534-45	18" Flexible Supply Hose (2)
21	000965-45	Lock Nut
22	002290-45	Lock Washer
23	012394-25NS	Quarter-Turn Cerama Cartridge w/ Check Valve, RTC
24	017229-45	Decorative Club Handle
25	009332-41	Decorative Club Handle Kit, Hot
26	009303-41	Decorative Cap Insert, Hot
27	017181-41	Decorative Club Handle - Blank
28	009285-40	Cap Insert Blank
29	B-PT	Full Flow Stream Regulator, 55/64-27
30	060X	8" Swing Nozzle

**Product Specifications:**

Pre-Rinse Unit: EasyInstall Single Hole Deck Mount Mixing Faucet, Quarter-Turn Cerama Cartridges w/ Check Valves, Club Handles, Add-On Faucet w/ 8" Swing Nozzle, Compact Spring, 24" Flexible Stainless Steel Hose, 1.15 GPM Spray Valve, 6" Wall Bracket & 18" Flexible Supply Hoses

**Product Compliance:**

ASME A112.18.1 / CSA B125.1  
NSF 61 - Section 9  
NSF 372 (Low Lead Content)  
2019 DOE PRSV - Class II  
For Commercial Use Only