



Installation and Maintenance Instructions

EasyInstall™

PRE-RINSE UNIT B-0113 Series

(B-0113-B, Pre-Rinse Unit w/ Wall Bracket)



Limited Three Year Warranty
(Commercial Applications)

T&S warrants to the original purchaser (other than for purposes of resale) that such product is free from defects in material and workmanship for a period of three (3) years from the date of purchase. During this three-year warranty period, if the product is found to be defective, T&S shall, at its option, repair and/or replace it. To obtain warranty service, products must be returned to.....

T&S Brass and Bronze Works, Inc.
Attn: Warranty Repair Department
2 Saddleback Cove
Travelers Rest, SC 29690

Shipping, freight, insurance, and other transportation charges of the product to T&S and the return of repaired or replaced product to the purchaser are the responsibility of the purchaser. Repair and/or replacement shall be made within a reasonable time after receipt by T&S of the returned product. This warranty does not cover items which have received secondary finishing or have been altered or modified after purchase, or for defects caused by physical abuse to or misuse of the product, or shipment of the products.

Any express warranty not provided herein, and any remedy for Breach of Contract which might arise, is hereby excluded and disclaimed. Any implied warranties of merchantability or fitness for a particular purpose are limited to three years in duration. Under no circumstance shall T&S be liable for loss of use or any special consequential cost, expenses or damages.

Some states do not allow limitations on how long an implied warranty lasts or the exclusion or limitation of incidental or consequential damages, so the above limitations or exclusions may not apply to you. Specific rights under this warranty and other rights vary from state to state.

Attention California Residents:

WARNING This product can expose you to chemicals including Lead, Chromium (hexavalent compounds) and Phthalates (DEHP) which are known to the State of California to cause cancer and birth defects or other reproductive harm.

For more information go to
www.P65Warnings.ca.gov.

P/N: 098-014494-45 Rev.8
DATE: 08-18-21
DRAWN: TED
CHECKED: GEF 10-31-22
APPROVED: JHB 11-01-22

عربي
تعليمات التركيب و الصيانة



Step 1:
Insert flex line inlets and tighten by hand. Apply plumber's putty to underside of body and insert into mounting hole. With wrench, tighten the locking nut.

الخطوة 1:
أدخل مداخل الخط المرن وشدها باليد. ضع معجون السباكة على الجانب الأسفل من الهيكل وأدخله في فتحة التعليق. شد صامولة القفل باستخدام مفتاح ربط.



Step 3:
Make sure that the EasyInstall® locking washer is seated properly inside the faucet body.

الخطوة 3:
تأكد من أن حلقة قفل EasyInstall® موضوعة بشكل ملائم داخل هيكل الصنبور.



Step 5:
Lock the EasyInstall® locking nut in place. Tighten with wrench.

الخطوة 5:
أغلق صامولة قفل EasyInstall® في مكانها. وشدها بمفتاح ربط.



Step 2:
Apply plumber's tape to top of riser threads and attach to spring assembly. Tighten with wrench.

الخطوة 2:
ضع شريط سباكة على أعلى أسنان الرافع ووصله بمجمع الزنبرك. أحكم الشد بمفتاح ربط.



Step 4:
Grab riser assembly and lower the EasyInstall® end-fitting into faucet body. Press down until the end-fitting "pops" in.

الخطوة 4:
أمسك مجمع الرافع واخفض وصلة EasyInstall® الطرفية داخل جسم الصنبور. اضغط لأسفل حتى تسمع صوت "طقة" الوصلة الطرفية.

Base Faucet Assemblies

1	Faucet Body Assembly w/ Eterna Cartridges	B-0200-LN
	Faucet Body Assembly w/ Cerama Cartridges	B-0200-CR-LN
2	Asm, Quarter-Turn Eterna Cartridge, RTC (new style)	002712-40NS
	Asm, Quarter-Turn Cerama Cartridge, RTC (new style)	012446-25NS
3	Cartridge Only, Eterna w/ Spring Checks, RTC	012443-40NS
	Cartridge Only, Cerama w/ Check Valves, RTC	012394-25NS
4	Asm, Quarter-Turn Eterna Cartridge, LTC (new style)	002711-40NS
	Asm, Quarter-Turn Cerama Cartridge, LTC (new style)	012447-25NS
5	Cartridge Only, Eterna w/ Spring Checks, LTC	012442-40NS
	Cartridge Only, Cerama w/ Check Valves, LTC	012395-25NS
6	Handle, Lever	001638-45NS
	Handle, Wrist Action	B-WH4-NS
7	Screw, Handle	000925-45
8	Index, Button - Hot (Red)	001193-19NS
9	Index, Button - Cold (Blue)	018506-19NS
10	Washer, Body	002290-45
11	Locknut, Shank	000965-45
12	Lock Washer, EasyInstall	014200-45
13	Flexible Connector Hoses	012534-45

Riser Assembly

14	Nipple, 3/8" x 24"	000372-40
15	Swivel Assembly, EasyInstall	EZ-K
16	Swivel Piece	N/A
17	O-Ring, Swivel Piece	001065-45
18	Asm, Finger Hook & Screw	004R
19	Wall Bracket, 6" (add -B to model # for wall bracket)	B-0109-01

Pre-Rinse Unit Assembly

20	Spring Body	000821-40
21	Spring, Overhead	000888-45
22	Asm, Flexible Stainless Steel Hoses	B-0044-H
23	Asm, Spray Valve	B-0107

Spray Valve Assembly

24	Washer, Hold Down Assembly	010476-45
25	Ring, Hold Down Assembly	000907-45
26	Body, Spray Valve (no handle)	000065-40
27	Handle	001120-45
28	Nut, Handle	003198-45
29	Screw, Handle	003199-45
30	Nipple	000694-40
31	Cup, Spray	000019-40
*	32 Ring, Sprayhead	007861-45
*	33 Sprayface	001121-45
*	34 Screw, Sprayface	000913-45

Bonnet Assembly

35	Asm, Bonnet	002856-40
*	36 Stem	001097-45
*	37 Washer, Seat	012915-45
*	38 Washer, Bonnet Binding	001040-45
39	Bonnet	000608-25
*	40 Washer, Bonnet Brass	000974-45
*	41 Stem, Packing	001100-45
*	42 Spring, Bonnet	000895-45
43	Push Button	000753-25
*	44 Grease Pack (o-ring lubricant)	012665-45

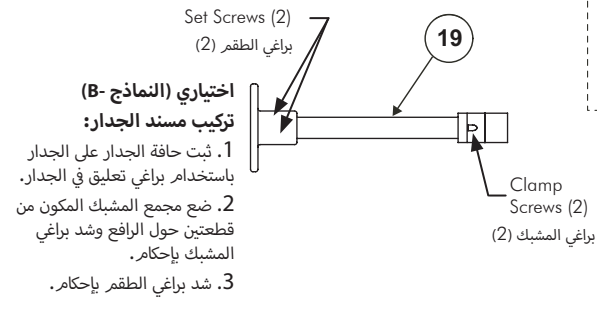
* Parts included in B-10K parts kit



OPTIONAL (-B Models)

Wall Bracket Installation:

1. Fasten wall flange to wall using wall mount screws
2. Place 2-piece clamp assembly around riser and tighten clamp screws securely.
3. Tighten set screws securely.



اختياري (النماذج -B): تركيب مسند الجدار:

1. ثبت حافة الجدار على الجدار باستخدام براغي تعليق في الجدار.
2. ضع مجمع المشبك المكون من قطعتين حول الرفاع وشد براغي المشبك بإحكام.
3. شد براغي الطقم بإحكام.