



T&S BRASS AND BRONZE WORKS, INC.

2 Saddleback Cove / P.O. Box 1088
Travelers Rest, SC 29690

Model No.

MPW-2DWV-08-CR

Item No.

Travelers Rest, SC: 800-476-4103 • Simi Valley, CA: 800-423-0150 • Fax: 864-834-3518 • www.tsbrass.com

EPAct 2005 Compliant
For Commercial Use Only

This Space for Architect/Engineer Approval

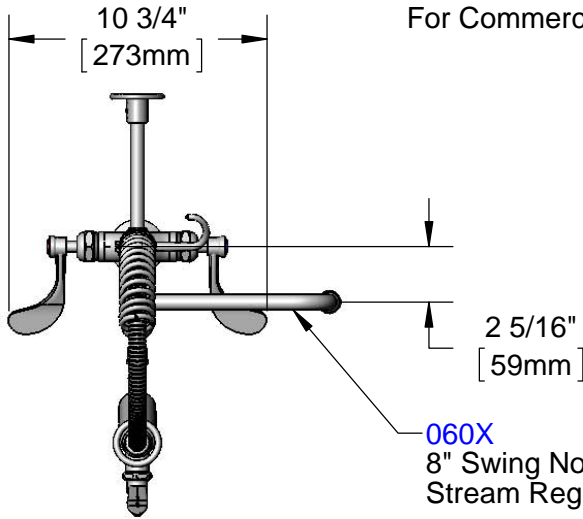
Job Name _____ Date _____

Model Specified _____ Quantity _____

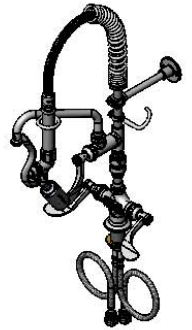
Customer/Wholesaler _____

Contractor _____

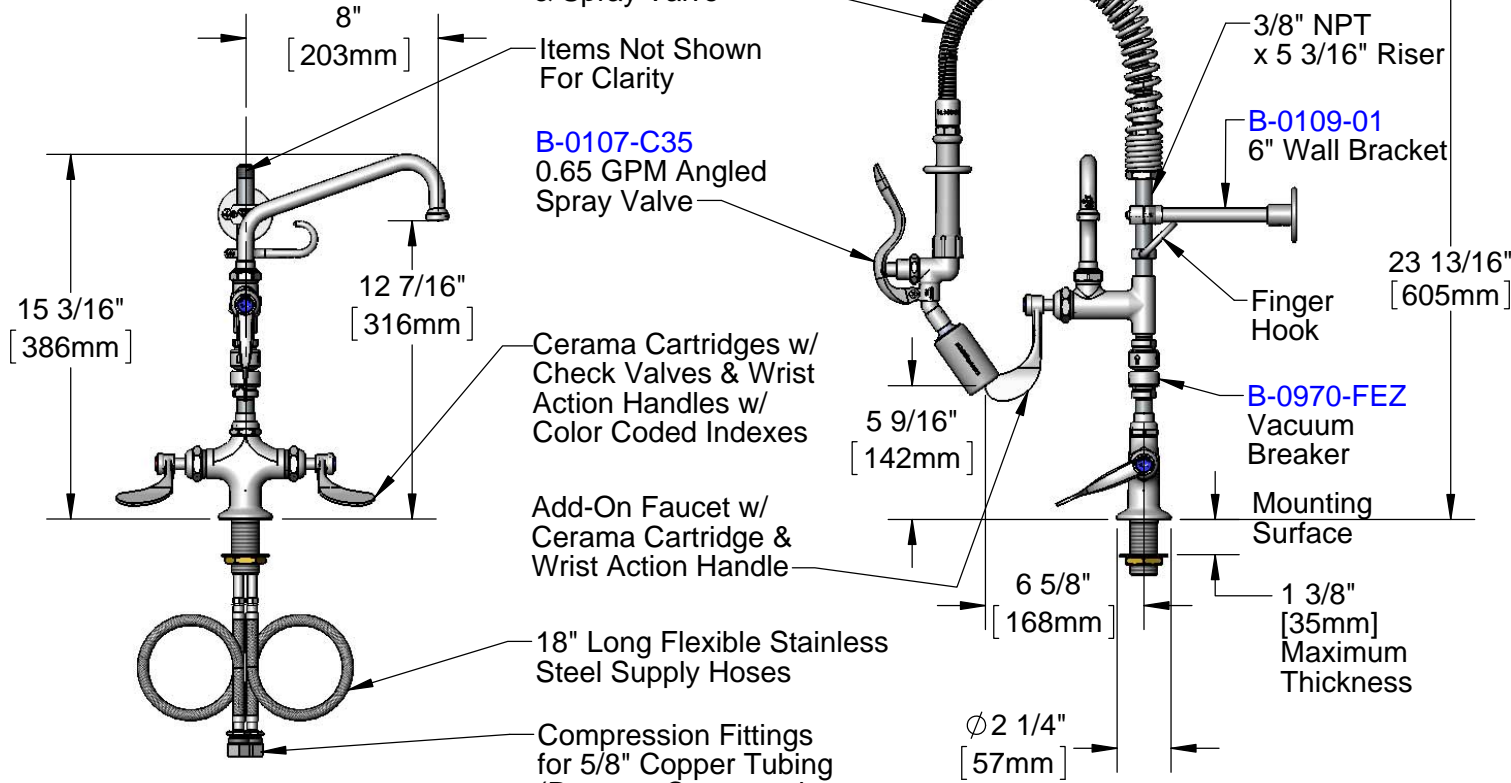
Architect/Engineer _____



060X
8" Swing Nozzle w/
Stream Regulator Outlet



24" Flexible Stainless
Steel Hose w/ Spring
& Spray Valve



Rough-In Requirement:
Ø 1 1/2" [Ø38mm] Mounting Hole

Product Specifications:
Easy Install Pre-Rinse Unit:
Single Hole Deck Mount Mixing Faucet, Cerama Cartridges w/ Check Valves, Wrist Action Handles, Add-On Faucet w/ 8" Swing Nozzle, Vacuum Breaker, Compact Spring, 24" Flexible Stainless Steel Hose, 0.65 GPM Angled Spray Valve, 6" Wall Bracket & Flexible Supply Hose

Drawn JRM	Checked KJG	Approved JHB
Scale: 1:8		Date: 11/25/13



T&S BRASS AND BRONZE WORKS, INC.

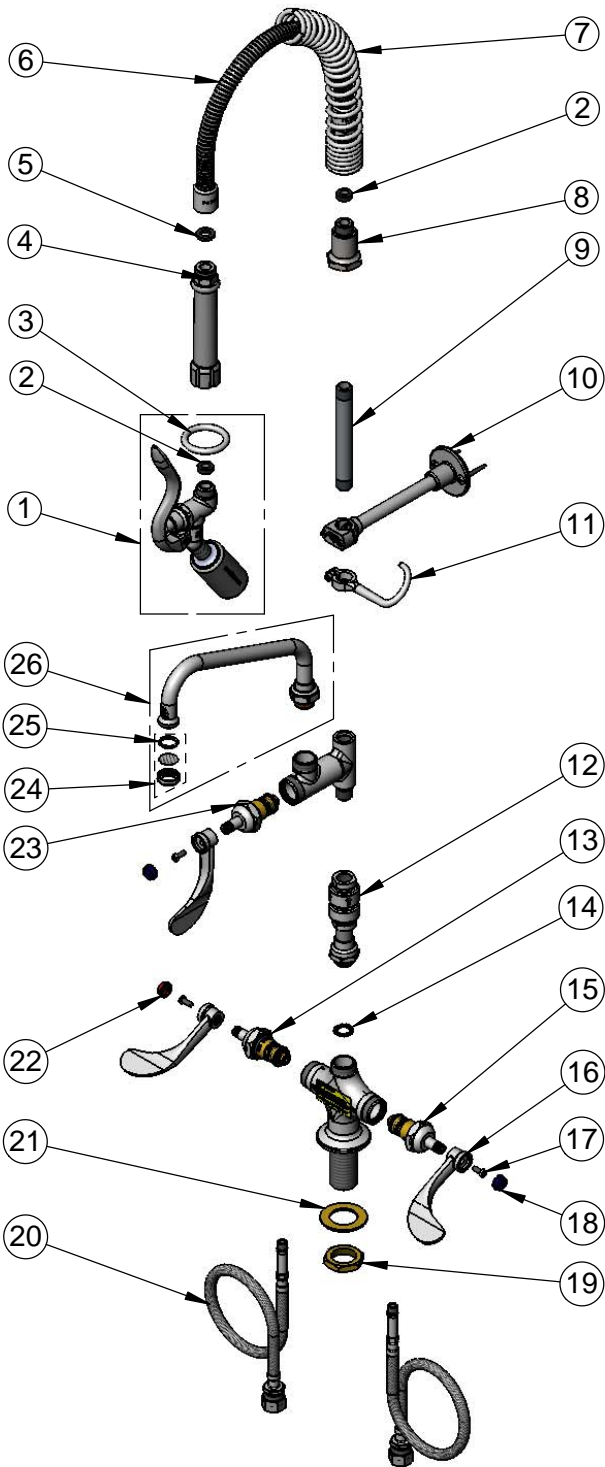
2 Saddleback Cove / P.O. Box 1088
Travelers Rest, SC 29690

Model No.

MPW-2DWV-08-CR

Item No.

Travelers Rest, SC: 800-476-4103 • Simi Valley, CA: 800-423-0150 • Fax: 864-834-3518 • www.tsbrass.com



ITEM NO.	SALES NO.	DESCRIPTION
1	B-0107-C35	0.65 GPM Angled Spray Valve
2	010476-45	#27 Washer
3	000907-45	Spray Valve Hold Down Ring
4	002987-40	Grip Handle
5	001014-45	Washer, B-0100 Hose Barrel
6	B-0024-H2A	24" Flexible Stainless Steel Hose, Less Handle
7	016795-45	Compact Spring
8	000821-40	Spring Body
9	001617-40	3/8" NPT x 5-3/16" Riser
10	B-0109-01	6" Wall Bracket
11	004R	Finger Hook
12	B-0970-FEZ	EasyInstall Vacuum Breaker
13	012394-25	Cerama Cartridge, RTC w/ Check Valve
14	014200-45	Star Washer, Anti-Rotation
15	012395-25	Cerama Cartridge, LTC w/ Check Valve
16	B-WH4	4" Wrist Action Handle
17	000925-45	Lab Handle Screw
18	001686-45	Blue Index - CW
19	000965-45	Lock Nut
20	012534-45	Flexible Connector Hose
21	002290-45	Lock Washer
22	001194-45	Red Index - HW
23	011278-25	Cerama Cartridge, RTC
24	B-PT	Stream Regulator Outlet
25	001048-45	Nozzle Tip Washer
26	060X	8" Swing Nozzle

Product Specifications:

Easy Install Pre-Rinse Unit:
Single Hole Deck Mount Mixing Faucet, Cerama Cartridges w/ Check Valves, Wrist Action Handles, Add-On Faucet w/ 8" Swing Nozzle, Vacuum Breaker, Compact Spring, 24" Flexible Stainless Steel Hose, 0.65 GPM Angled Spray Valve, 6" Wall Bracket & Flexible Supply Hose

Drawn JRM	Checked KJG	Approved JHB
Scale: NTS		Date: 11/25/13