



T&S BRASS AND BRONZE WORKS, INC.
 2 Saddleback Cove / P.O. Box 1088
 Travelers Rest, SC 29690

Model No.

HG-4E-48G-K

Item No.

Travelers Rest, SC: 800-476-4103 • Simi Valley, CA: 800-423-0150 • Fax: 864-834-3518 • www.tsbrass.com

This Space for Architect/Engineer Approval

Job Name _____ Date _____

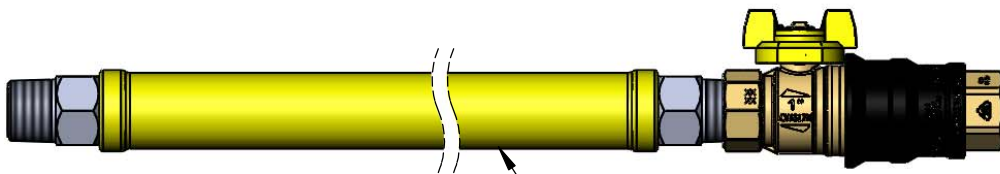
Model Specified _____ Quantity _____

Customer/Wholesaler _____

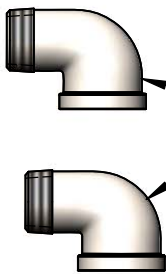
Contractor _____

Architect/Engineer _____

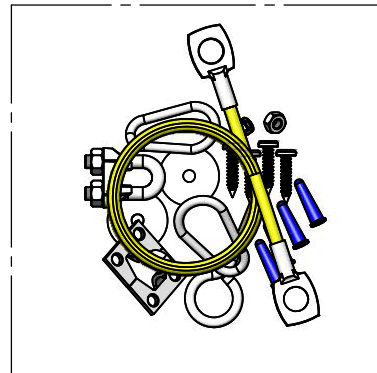
SAFE-T-GUARD



1" NPT x 48" [1219mm] Coated Gas Hose
 w/ 1" NPT SAFE-T-GUARD Quick Disconnect
 Valve Gas Coupling



1" NPT Street Els (2)



AG-RC
 Restraining Cable Kit

Product Specifications:

Safe-T-Link Gas Appliance Connector: 1" x 48" Coated Gas Hose w/ 1" Quick Disconnect Valve Gas Coupling & 1" NPT Street Elbows & Restraining Cable Kit

Product Compliance:

ANSI Z21.69 / CSA 6.16
 NSF 2
 NFPA 54