



**T&S BRASS AND BRONZE WORKS, INC.**  
 2 Saddleback Cove / P.O. Box 1088  
 Travelers Rest, SC 29690

Model No.  
**EW-SP509**

Item No.

Travelers Rest, SC: 800-476-4103 • Simi Valley, CA: 800-423-0150 • Fax: 864-834-3518 • www.tsbrass.com

This Space for Architect/Engineer Approval

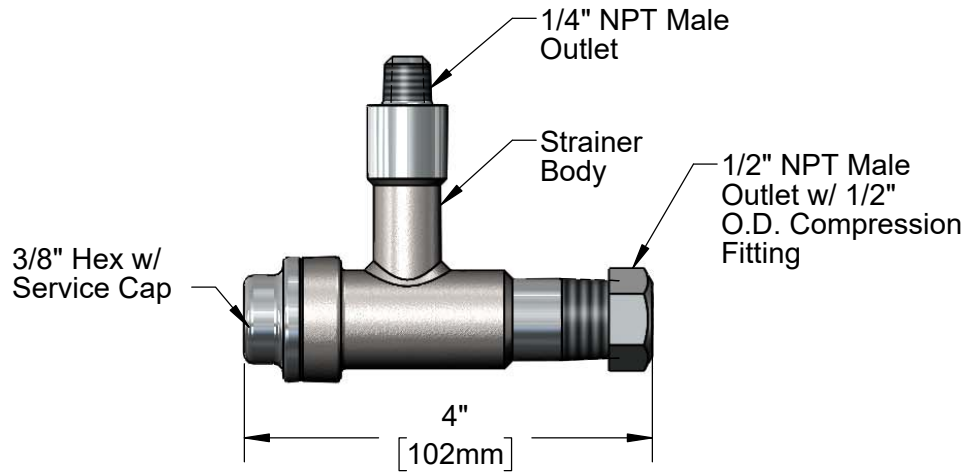
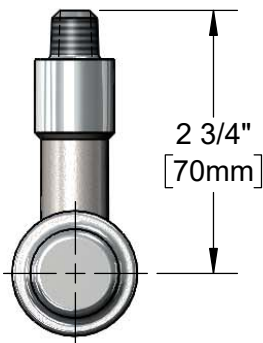
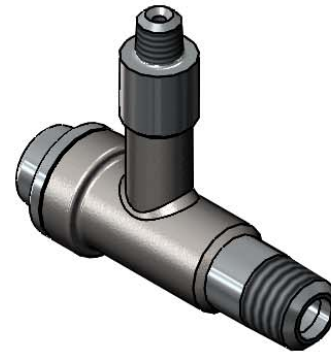
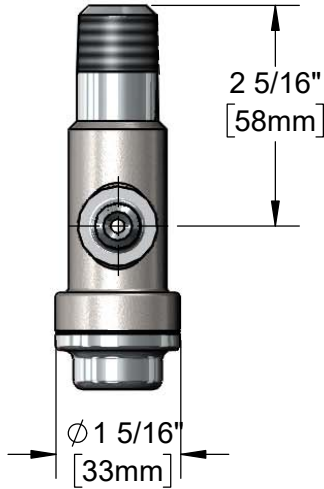
Job Name \_\_\_\_\_ Date \_\_\_\_\_

Model Specified \_\_\_\_\_ Quantity \_\_\_\_\_

Customer/Wholesaler \_\_\_\_\_

Contractor \_\_\_\_\_

Architect/Engineer \_\_\_\_\_



Note:  
 1. Fully Serviceable In-Line 50 x 50 Mesh Strainer

Product Specifications:  
 In-Line L-Strainer w/ 1/4" NPT Male Outlet and 1/2" NPT Male Inlet w/ 1/2" O.D. Compression Fitting

Product Compliance:  
 NSF 61 Exempt (Non-Potable)