



T&S BRASS AND BRONZE WORKS, INC.
 2 Saddleback Cove / P.O. Box 1088
 Travelers Rest, SC 29690

Model No.

EW-7610

Item No.

Travelers Rest, SC: 800-476-4103 • Simi Valley, CA: 800-423-0150 • Fax: 864-834-3518 • www.tsbrass.com

This Space for Architect/Engineer Approval

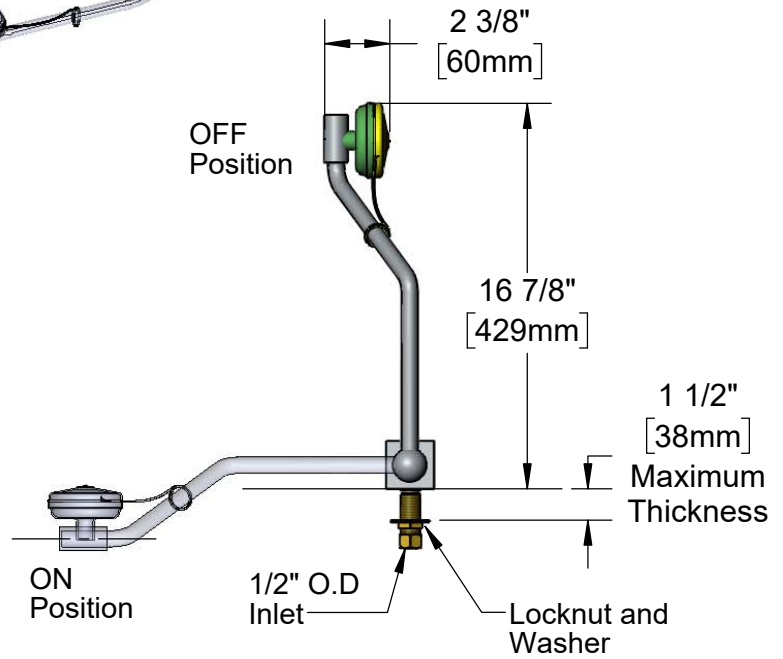
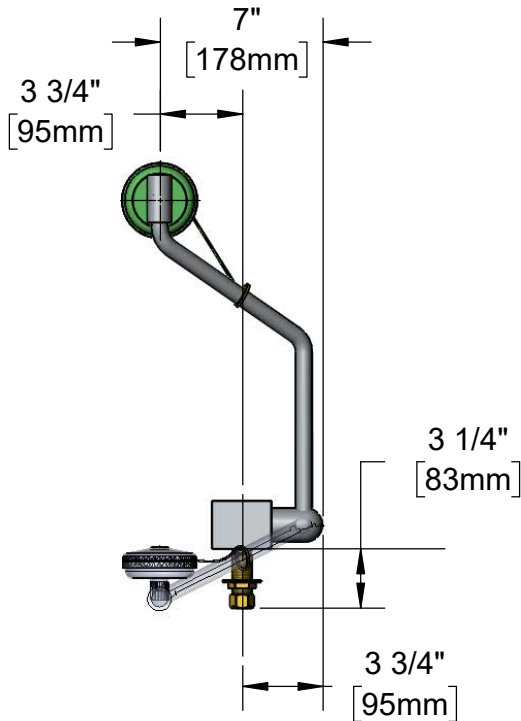
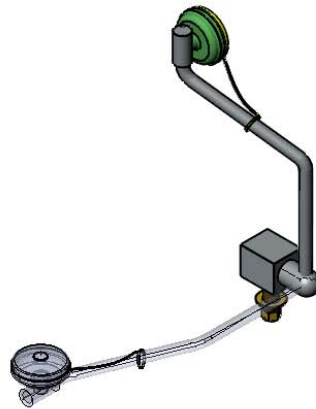
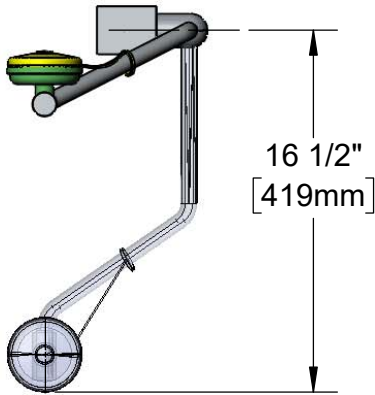
Job Name _____ Date _____

Model Specified _____ Quantity _____

Customer/Wholesaler _____

Contractor _____

Architect/Engineer _____



Note:

1. ANSI Standard Z358.1 Specifies Eyewash Nozzles to be 33" [838mm] to 45" [1143mm] Above the Floor

2. These Dimensions are for Reference

Product Specifications:

Deck or Wall Mount Option Pull Down Eyewash with 1/2" O.D. Slip Joint Supply

Product Compliance:

ANSI Z358.1 (Latest Revision)
 NSF 61 Exempt (Non-Potable)