



T&S BRASS AND BRONZE WORKS, INC.
 2 Saddleback Cove / P.O. Box 1088
 Travelers Rest, SC 29690

Model No.
EC-3142-ST-VF05

Item No.

Travelers Rest, SC: 800-476-4103 • Simi Valley, CA: 800-423-0150 • Fax: 864-834-3518 • www.tsbrass.com



ADA Compliant



This Space for Architect/Engineer Approval

Job Name _____ Date _____

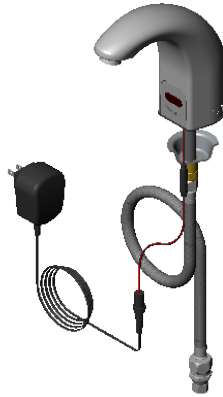
Model Specified _____ Quantity _____

Customer/Wholesaler _____

Contractor _____

Architect/Engineer _____

Ø 2 1/2"
[64mm]



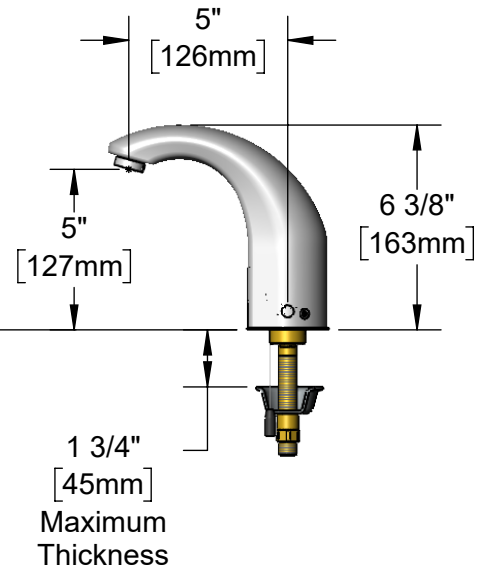
Internal Above Deck
 Electronics w/ Flow
 Control Setting Switches.
 Powered w/ 6 VDC
 Lithium Battery.

Cast Spout w/
 0.5 GPM [1.9 L/min]
 Vandal Resistant
 Non-Aerated Spray
 Device

Removable
 Anti-Rotation Pin

Mounting
 Surface

13/16"
[21mm]



100-240 VAC Adapter w/
 72" [1830mm] Power Cord

18" [457mm] Flexible
 Stainless Steel Supply Hose
 w/ 1/2" NPSM Swivel End &
 Filter Washer

Check Valve Adapter
 w/ 3/8" Compression
 (9/16-24 UN) Inlet

Rough-In Requirement:

Ø 1 1/4" [32mm] Mounting Hole

Ø 3/16" [5mm] Anti-Rotation Pin Hole (Optional)

Product Specifications:

Chrome Plated Brass Above Deck Electronics Faucet, Single Hole Single Temperature Deck Mount, Cast Spout w/ 0.5 GPM VR Non-Aerated Spray Device, Battery or AC Adapter Powered, Stainless Steel Flexible Supply Line & 3/8" Compression Inlet

Product Compliance:

ASME A112.18.1 / CSA B125.1
 NSF 61 - Section 9
 NSF 372 (Low Lead Content)
 ANSI A117.1 (ADA)
 UL 1951



T&S BRASS AND BRONZE WORKS, INC.

2 Saddleback Cove / P.O. Box 1088
Travelers Rest, SC 29690

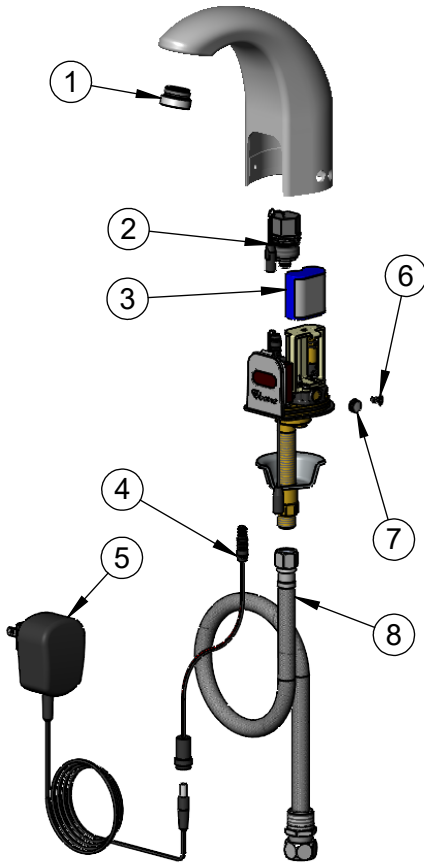
Model No.

EC-3142-ST-VF05

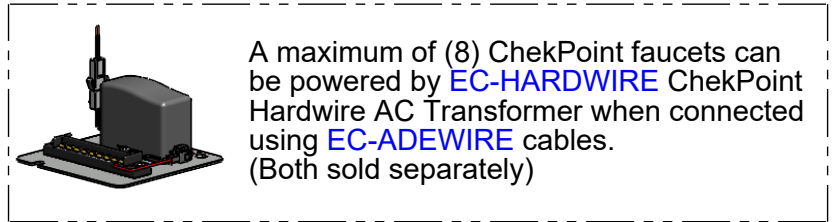
Item No.

Travelers Rest, SC: 800-476-4103 • Simi Valley, CA: 800-423-0150 • Fax: 864-834-3518 • www.tsbrass.com

| ITEM NO. | SALES NO. | DESCRIPTION |
|----------|-------------------------------|---|
| 1 | B-0199-08-N05 | 0.5 GPM VR Non-Aerated Spray Device, 13/16-27 Male w/ Key |
| 2 | 020330-45 | Solenoid Valve, M22 x 2 Male Thd |
| 3 | 019087-45 | 6VDC Lithium Battery, CR-P2 |
| * 4 | 020417-45 | Aux. Power Connector Cable |
| * 5 | 5EF-0002C | AC Adapter - US Plug |
| 6 | 020270-45 | Body Screw w/ L-Key |
| * 7 | 020426-45 | Single Temp Body Plug |
| * 8 | 018544-45 | SS Flex Hose w/ Check Valve Adapter |



* For Versions Prior to 2024, Consult with T&S Customer Service



020760-45
Sensor Range
Set-Up Magnet



[015425-45](#)
VR Aerator Key



[018543-45](#)
Torx T-20 VR L-Key

Flow Control Switches are Located Behind the Sensor.
Remove Battery to Access Switches.

* Switches are set to DEFAULT position:

- Auto Time Out = 15 seconds
- Shut Off Delay = 1 second
- Auto Flush = OFF
- Metering Mode = OFF

* Available Water Flow Control Selections:

- Auto Time Out: 15 sec, 30 sec, 45 sec, 60 sec, 3 min, 20 min
- Shut Off Delay: 1 sec, 10 sec, 15 sec, 30 sec
- Auto Flush (30 Seconds After Every 12 Inactive Hours): ON or OFF
- Metering Mode: ON or OFF

Product Specifications:

Chrome Plated Brass Above Deck Electronics Faucet, Single Hole Single Temperature Deck Mount, Cast Spout w/ 0.5 GPM VR Non-Aerated Spray Device, Battery or AC Adapter Powered, Stainless Steel Flexible Supply Line & 3/8" Compression Inlet

Product Compliance:

ASME A112.18.1 / CSA B125.1
NSF 61 - Section 9
NSF 372 (Low Lead Content)
ANSI A117.1 (ADA)
UL 1951