



# T&S BRASS AND BRONZE WORKS, INC.

2 Saddleback Cove / P.O. Box 1088  
Travelers Rest, SC 29690

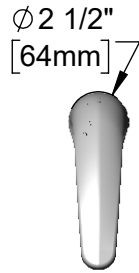
Model No.  
**EC-3132-STV5THG**

Item No.

Travelers Rest, SC: 800-476-4103 • Simi Valley, CA: 800-423-0150 • Fax: 864-834-3518 • www.tsbrass.com



**ADA Compliant**



This Space for Architect/Engineer Approval

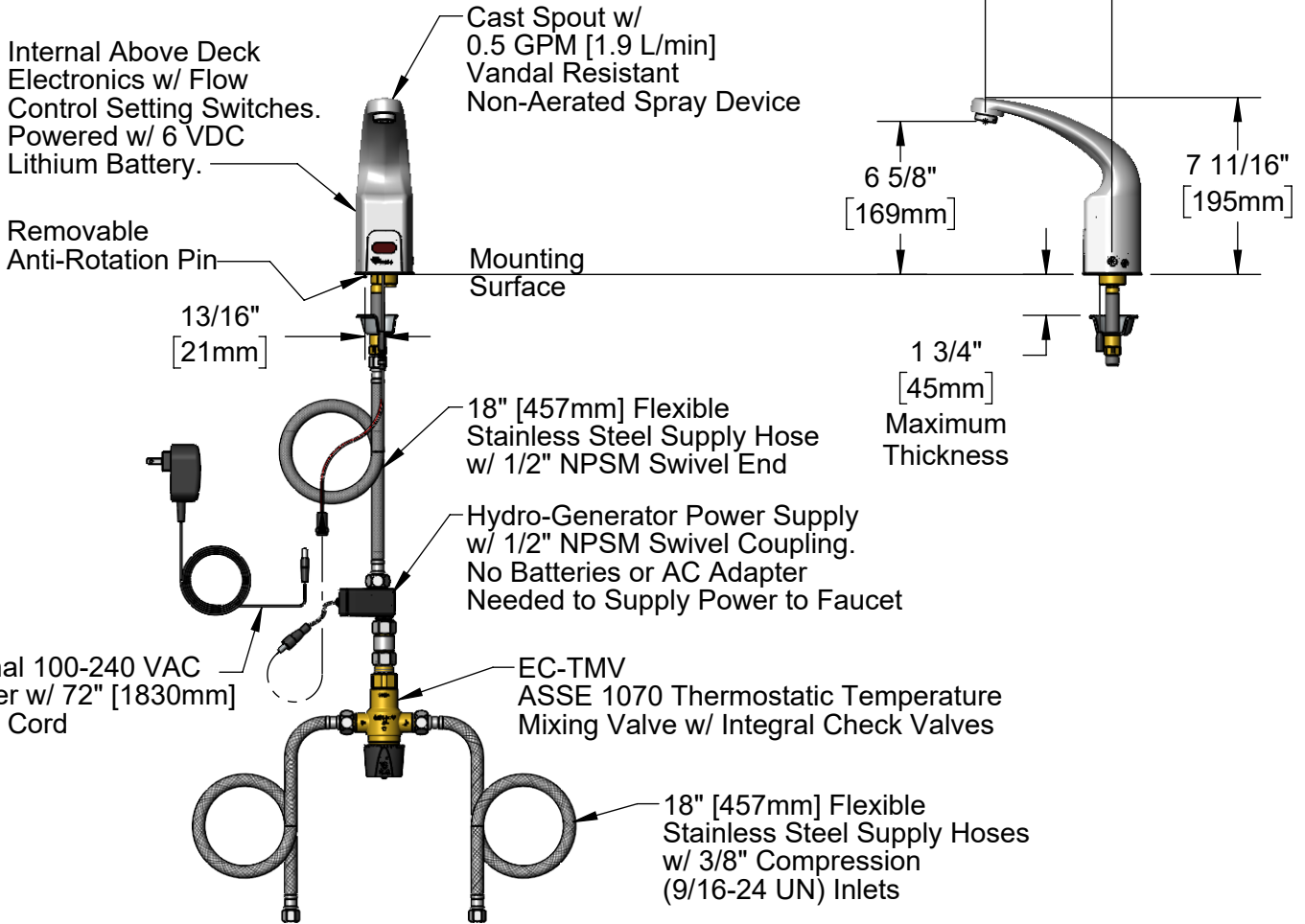
Job Name \_\_\_\_\_ Date \_\_\_\_\_

Model Specified \_\_\_\_\_ Quantity \_\_\_\_\_

Customer/Wholesaler \_\_\_\_\_

Contractor \_\_\_\_\_

Architect/Engineer \_\_\_\_\_



**Rough-In Requirement:**  
Ø 1 1/4" [32mm] Mounting Hole  
Ø 3/16" [5mm] Anti-Rotation Pin Hole (Optional)

**Product Specifications:**  
Chrome Plated Brass Above Deck Electronics Faucet, Single Hole Single Temperature Deck Mount, Cast Spout, 0.5 GPM VR Non-Aerated Spray Device, Low Flow Hydro-Generator Powered, Thermostatic Temperature Control Mixing Valve, Stainless Steel Flexible Supply Hoses & 3/8" Compression Inlets

**Product Compliance:**  
ASME A112.18.1 / CSA B125.1  
NSF 61 - Section 9  
NSF 372 (Low Lead Content)  
ANSI A117.1 (ADA)  
UL 1951  
ASSE 1070 (TMV)



# T&S BRASS AND BRONZE WORKS, INC.

2 Saddleback Cove / P.O. Box 1088  
Travelers Rest, SC 29690

Model No.

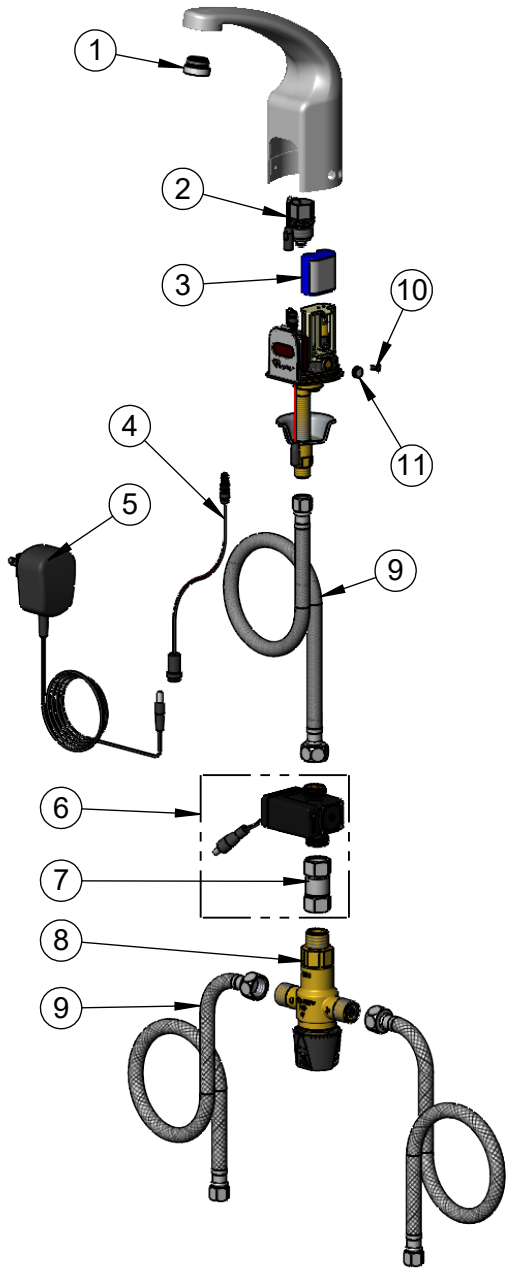
**EC-3132-STV5THG**

Item No.

Travelers Rest, SC: 800-476-4103 • Simi Valley, CA: 800-423-0150 • Fax: 864-834-3518 • www.tsbrass.com

ITEM NO.	SALES NO.	DESCRIPTION
1	B-0199-08-N05	0.5 GPM VR Spray Device, 13/16-27 Male
2	020330-45	Solenoid Valve, M22 x 2 Male Thd
3	019087-45	6VDC Lithium Battery, CR-P2
* 4	020417-45	Aux. Power Connector Cable
* 5	5EF-0002C	AC Adapter - US Plug
6	EC-HYDROGEN-LF	Low Flow Hydro-Generator
7	017506-45	Swivel Coupling Body
8	EC-TMV	ASSE 1070 Thermostatic Mixing Valve
9	5EF-0005	Supply Hose, 9/16-24 Female x 1/2" NPSM
10	020270-45	Body Screw w/ L-Key
* 11	020426-45	Single Temp Body Plug

\* For Versions Prior to 2024, Consult with T&S Customer Service



020760-45  
Sensor Range  
Set-Up Magnet



018543-45  
Torx T-20 VR L-Key



015425-45  
VR Aerator Key

Flow Control Switches are Located Behind the Sensor.

\* Switches are set to DEFAULT position:

- Auto Time Out = 15 seconds
- Shut Off Delay = 1 second
- Auto Flush = OFF
- Metering Mode = OFF

\* Available Water Flow Control Selections:

- Auto Time Out: 15 sec, 30 sec, 45 sec, 60 sec, 3 min, 20 min
- Shut Off Delay: 1 sec, 10 sec, 15 sec, 30 sec
- Auto Flush (30 Seconds After Every 12 Inactive Hours): ON or OFF
- Metering Mode: ON or OFF

**Product Specifications:**

Chrome Plated Brass Above Deck Electronics Faucet, Single Hole Single Temperature Deck Mount, Cast Spout, 0.5 GPM VR Non-Aerated Spray Device, Low Flow Hydro-Generator Powered, Thermostatic Temperature Control Mixing Valve, Stainless Steel Flexible Supply Hoses & 3/8" Compression Inlets

**Product Compliance:**

ASME A112.18.1 / CSA B125.1  
NSF 61 - Section 9  
NSF 372 (Low Lead Content)  
ANSI A117.1 (ADA)  
UL 1951  
ASSE 1070 (TMV)