



# T&S BRASS AND BRONZE WORKS, INC.

2 Saddleback Cove / P.O. Box 1088  
Travelers Rest, SC 29690

Model No.

**EC-3130-VF05**

Item No.

Travelers Rest, SC: 800-476-4103 • Simi Valley, CA: 800-423-0150 • Fax: 864-834-3518 • www.tsbrass.com



ADA Compliant



This Space for Architect/Engineer Approval

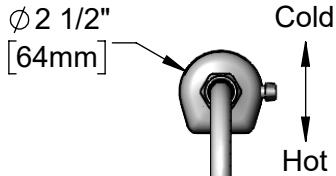
Job Name \_\_\_\_\_ Date \_\_\_\_\_

Model Specified \_\_\_\_\_ Quantity \_\_\_\_\_

Customer/Wholesaler \_\_\_\_\_

Contractor \_\_\_\_\_

Architect/Engineer \_\_\_\_\_



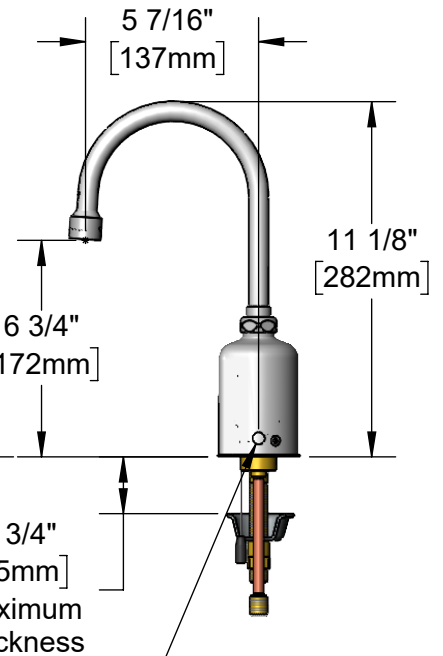
Swivel Gooseneck w/  
**B-0199-06-N05**  
VR 0.5 GPM Non-Aerated Spray  
Device. Rigid Conversion  
Requires **014200-45** Lock  
Washer (Included)

Internal Above Deck  
Electronics w/ Flow  
Control Setting Switches.  
Powered w/ 6 VDC  
Lithium Battery

Removable  
Anti-Rotation Pin

Temperature Mixing Handle  
w/ Color Coded Index  
(Optional Plug Included to  
Replace Handle When  
Temperature is Preset)

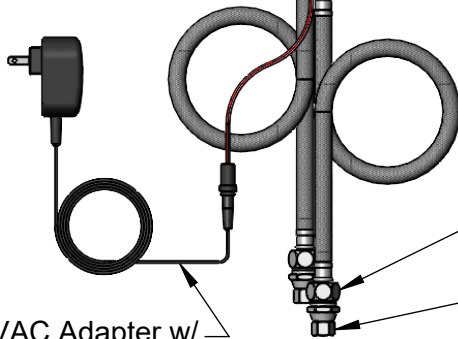
Mounting Surface



13/16"  
[21mm]

1 3/4"  
[45mm]  
Maximum  
Thickness

Shown w/ Optional  
Plug Installed When  
Water Temperature  
is Preset (Included)



18" [457mm] Flexible  
Stainless Steel Supply  
Hoses

1/2" NPSM Swivel Ends  
w/ Filter Washers

Check Valve Adapters  
w/ 3/8" Compression  
(9/16-24 UN) Inlets

100-240 VAC Adapter w/  
72" [1830mm] Power Cord

### Rough-In Requirement:

$\phi 1 \frac{1}{4}"$  [32mm] Mounting Hole

$\phi 3/16"$  [5mm] Anti-Rotation Pin Hole (Optional)

### Product Specifications:

Chrome Plated Brass Above Deck Electronics Faucet, Single Hole Deck Mount, Swivel Gooseneck w/ VR 0.5 GPM Non-Aerated Spray Device, Point-of-Use Temperature Control, Battery or AC Adapter Powered, Flexible Stainless Steel Supply Hoses w/ 3/8" Compression Fittings

### Product Compliance:

ASME A112.18.1 / CSA B125.1  
NSF 61 - Section 9  
NSF 372 (Low Lead Content)  
ANSI A117.1 (ADA)  
UL 1951



# T&S BRASS AND BRONZE WORKS, INC.

2 Saddleback Cove / P.O. Box 1088  
Travelers Rest, SC 29690

Model No.

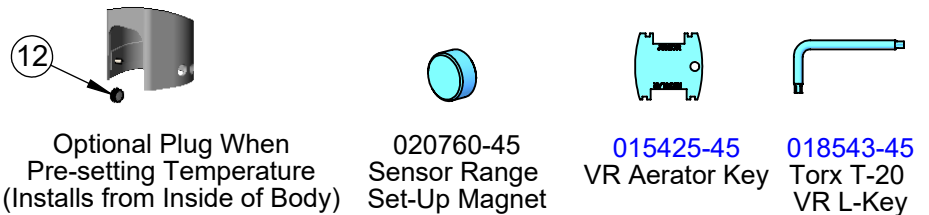
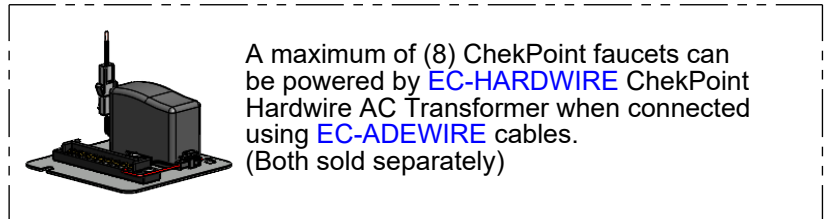
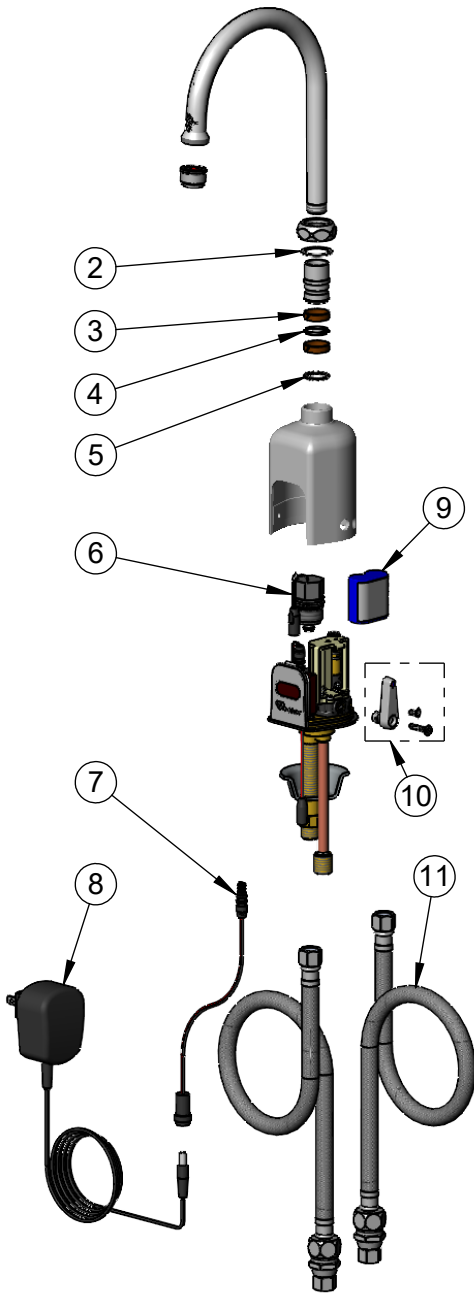
**EC-3130-VF05**

Item No.

Travelers Rest, SC: 800-476-4103 • Simi Valley, CA: 800-423-0150 • Fax: 864-834-3518 • www.tsbrass.com

ITEM NO.	SALES NO.	DESCRIPTION
1	B-0199-06-N05	VR 0.5 GPM Non-Aerated Spray Device, 55/64-27 UN Female w/ Key
2	009538-45	Swivel Washer
3	011429-45	Swivel Sleeves (2)
4	001074-45	O-Ring
5	014200-45	Star Washer, Anti-Rotation
6	020330-45	Solenoid Valve, M22 x 2 Male Thd
* 7	020417-45	Aux. Power Connector Cable
* 8	5EF-0002C	AC Adapter - US Plug
9	019087-45	6VDC Lithium Battery, CR-P2
* 10	020270-45	Lever Asm & Body Screw Kit w/ L-Key
11	018544-45	SS Flex Hose w/ Check Valve Adapter
* 12	020426-40	Body Plug, Pre-Set Temperature

\* For Versions Prior to 2024, Consult with T&S Customer Service



Optional Plug When Pre-setting Temperature (Installs from Inside of Body)

020760-45 Sensor Range Set-Up Magnet

015425-45 VR Aerator Key

018543-45 Torx T-20 VR L-Key

Flow Control Switches are Located Behind the Sensor. Switches are set to DEFAULT position:

- Auto Time Out = 15 seconds
- Shut Off Delay = 1 second
- Auto Flush = OFF
- Metering Mode = OFF

Available Water Flow Control Selections:

- Auto Time Out: 15 sec, 30 sec, 45 sec, 60 sec, 3 min, 20 min
- Shut Off Delay: 1 sec, 10 sec, 15 sec, 30 sec
- Auto Flush (30 Seconds After Every 12 Inactive Hours): ON or OFF
- Metering Mode = ON or OFF

**Product Specifications:**

Chrome Plated Brass Above Deck Electronics Faucet, Single Hole Deck Mount, Swivel Gooseneck w/ VR 0.5 GPM Non-Aerated Spray Device, Point-of-Use Temperature Control, Battery or AC Adapter Powered, Flexible Stainless Steel Supply Hoses w/ 3/8" Compression Fittings

**Product Compliance:**

ASME A112.18.1 / CSA B125.1  
NSF 61 - Section 9  
NSF 372 (Low Lead Content)  
ANSI A117.1 (ADA)  
UL 1951