



# T&S BRASS AND BRONZE WORKS, INC.

2 Saddleback Cove / P.O. Box 1088  
Travelers Rest, SC 29690

Model No.

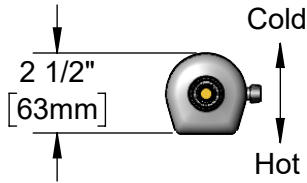
**EC-3130-LN**

Item No.

Travelers Rest, SC: 800-476-4103 • Simi Valley, CA: 800-423-0150 • Fax: 864-834-3518 • www.tsbrass.com



**ADA Compliant**



This Space for Architect/Engineer Approval

Job Name \_\_\_\_\_ Date \_\_\_\_\_

Model Specified \_\_\_\_\_ Quantity \_\_\_\_\_

Customer/Wholesaler \_\_\_\_\_

Contractor \_\_\_\_\_

Architect/Engineer \_\_\_\_\_

Internal Above Deck Electronics w/ Flow Control Setting Switches. Powered w/ 6 VDC Lithium Battery.

Removable Anti-Rotation Pin

Swivel Outlet Accepts Standard T&S Swivel Goosenecks. Rigid Conversion Requires **014200-45** Lock Washer (Included)

Temperature Mixing Handle w/ Color Coded Index (Optional Plug Included to Replace Handle When Temperature is Preset)

Mounting Surface

13/16" [21mm]

1 3/4" [45mm] Maximum Thickness

4 1/8" [105mm]

Shown w/ Optional Plug Installed When Water Temperature is Preset (Included)

18" [457mm] Flexible Stainless Steel Supply Hoses

1/2" NPSM Swivel Ends w/ Filter Washers

Check Valve Adapters w/ 3/8" Compression (9/16-24 UN) Inlets

100-240 VAC Adapter w/ 72" [1830mm] Power Cord

### Rough-In Requirement:

Ø 1 1/4" [32mm] Mounting Hole

Ø 3/16" [5mm] Anti-Rotation Pin Hole (Optional)

### Product Specifications:

Chrome Plated Brass Above Deck Electronics Faucet Less Nozzle, Single Hole Deck Mount, Point-of-Use Temp. Control, Battery or AC Adapter Powered, Flexible Stainless Steel Supply Hoses & 3/8" Compression Inlets

### Product Compliance:

ASME A112.18.1 / CSA B125.1  
NSF 61 - Section 9  
NSF 372 (Low Lead Content)  
ANSI A117.1 (ADA)  
UL 1951



# T&S BRASS AND BRONZE WORKS, INC.

2 Saddleback Cove / P.O. Box 1088  
Travelers Rest, SC 29690

Model No.


**EC-3130-LN**

Item No.

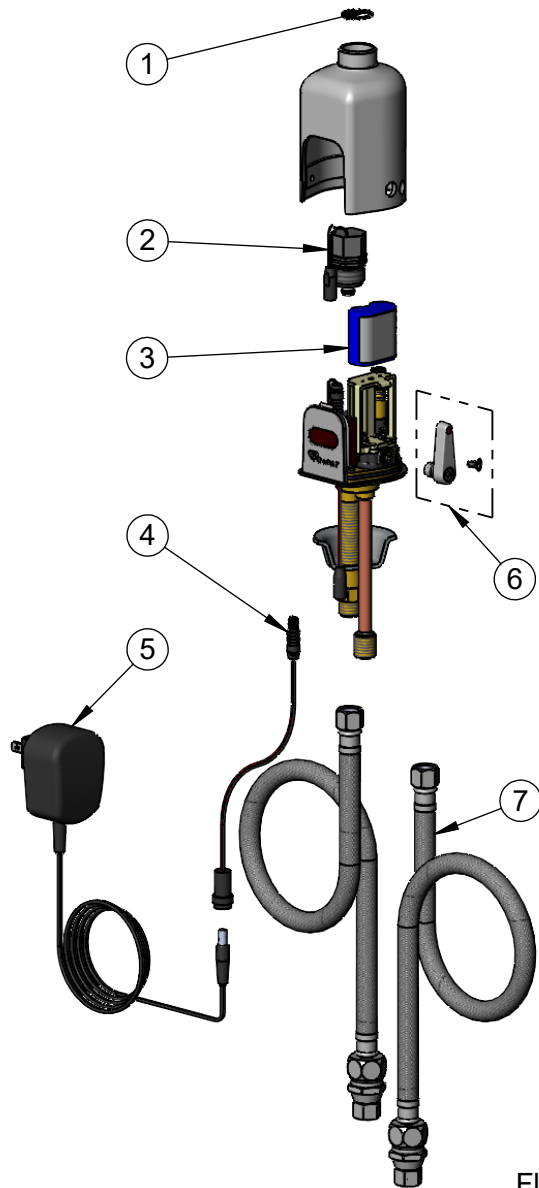

Travelers Rest, SC: 800-476-4103 • Simi Valley, CA: 800-423-0150 • Fax: 864-834-3518 • www.tsbrass.com

ITEM NO.	SALES NO.	DESCRIPTION
1	<a href="#">014200-45</a>	Star Washer, Anti-Rotation
2	<a href="#">020330-45</a>	Solenoid Valve, M22 x 2 Male Thd
3	<a href="#">019087-45</a>	6VDC Lithium Battery, CR-P2
* 4	020417-45	Aux. Power Connector Cable
* 5	<a href="#">5EF-0002C</a>	AC Adapter - US Plug
* 6	020270-45	Lever Asm & Body Screw Kit w/ L-Key
7	<a href="#">018544-45</a>	SS Flex Hose w/ Check Valve Adapter
* 8	020426-40	Body Plug for Pre-Set Temperature

\* For Versions Prior to 2024, Consult with T&S Customer Service



A maximum of (8) ChekPoint faucets can be powered by [EC-HARDWIRE](#) ChekPoint Hardwire AC Transformer when connected using [EC-ADEWIRE](#) cables. (Both sold separately)

Optional Plug Replaces Lever Handle When Pre-setting Temperature (Installs from Inside of Body)

020760-45 Sensor Range Set-Up Magnet

[018543-45](#) Torx T-20 VR L-Key

Flow Control Switches are Located Behind the Sensor.

Switches are set to DEFAULT position:

- Auto Time Out = 15 seconds
- Shut Off Delay = 1 second
- Auto Flush = OFF
- Metering Mode = OFF

Available Water Flow Control Selections:

- Auto Time Out: 15 sec, 30 sec, 45 sec, 60 sec, 3 min, 20 min
- Shut Off Delay: 1 sec, 10 sec, 15 sec, 30 sec
- Auto Flush (30 Seconds After Every 12 Inactive Hours): ON or OFF
- Metering Mode: ON or OFF

**Product Specifications:**

Chrome Plated Brass Above Deck Electronics Faucet Less Nozzle, Single Hole Deck Mount, Point-of-Use Temp. Control, Battery or AC Adapter Powered, Flexible Stainless Steel Supply Hoses & 3/8" Compression Inlets

**Product Compliance:**

ASME A112.18.1 / CSA B125.1  
NSF 61 - Section 9  
NSF 372 (Low Lead Content)  
ANSI A117.1 (ADA)  
UL 1951