



**T&S BRASS AND BRONZE WORKS, INC.**  
 2 Saddleback Cove / P.O. Box 1088  
 Travelers Rest, SC 29690

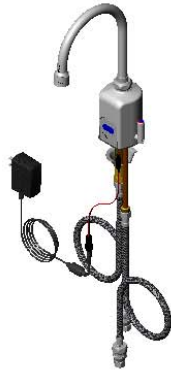
Model No.  
**EC-3130-LF22-HG**

Item No.

Travelers Rest, SC: 800-476-4103 • Simi Valley, CA: 800-423-0150 • Fax: 864-834-3518 • www.tsbrass.com



**ADA Compliant**



This Space for Architect/Engineer Approval

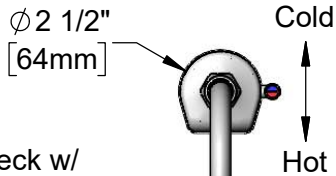
Job Name \_\_\_\_\_ Date \_\_\_\_\_

Model Specified \_\_\_\_\_ Quantity \_\_\_\_\_

Customer/Wholesaler \_\_\_\_\_

Contractor \_\_\_\_\_

Architect/Engineer \_\_\_\_\_



Swivel Gooseneck w/  
**B-0199-21-VRF**  
 VR 2.2 GPM Laminar  
 Flow Device. Rigid  
 Conversion Requires  
**014200-45** Lock Washer  
 (Included)

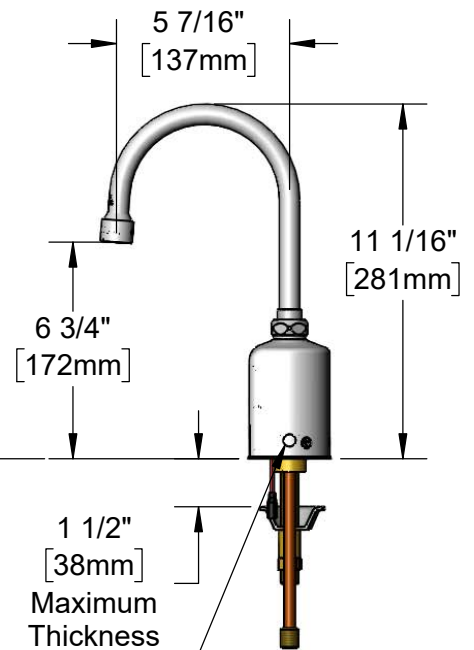
Internal Above Deck  
 Electronics w/ Flow  
 Control Setting Switches.  
 Powered w/ 6 VDC  
 Lithium Battery

Removable  
 Anti-Rotation Pin

Temperature Mixing Handle  
 w/ Color Coded Index  
 (Optional Plug Included to  
 Replace Handle When  
 Temperature is Preset)

Mounting Surface

13/16"  
 [21mm]



Shown w/ Optional  
 Plug Installed When  
 Water Temperature  
 is Preset (Included)

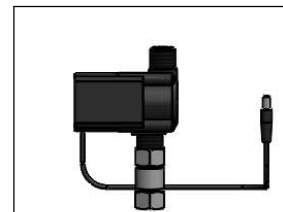


Optional 100-240 VAC  
 Adapter w/ 71" [1800mm]  
 Power Cord

19" [483mm] Flexible  
 Stainless Steel Supply  
 Hoses

1/2" NPSM Swivel Ends  
 w/ Filter Washers

Check Valve Adapters  
 w/ 3/8" Compression  
 (9/16-24 UN) Inlets



**EC-HYDROGEN**  
 (Included)

Rough-In Requirement:  
 Ø 1 1/4" [32mm] Mounting Hole  
 Ø 3/16" [5mm] Anti-Rotation Pin Hole (Optional)

Product Specifications:

Chrome Plated Brass Above Deck Electronics Faucet, Single  
 Hole Deck Mount, Swivel Gooseneck w/ VR 2.2 GPM Laminar  
 Flow Device, Point-of-Use Temperature Control, Battery or  
 AC Adapter Powered, 19" Flexible Stainless Steel Supply  
 Hoses w/ 3/8" Compression Fittings & Hydro-Generator

Product Compliance:

ASME A112.18.1 / CSA B125.1  
 NSF 61 - Section 9  
 NSF 372 (Low Lead Content)  
 ANSI A117.1 (ADA)  
 UL 1951



# T&S BRASS AND BRONZE WORKS, INC.

2 Saddleback Cove / P.O. Box 1088  
Travelers Rest, SC 29690

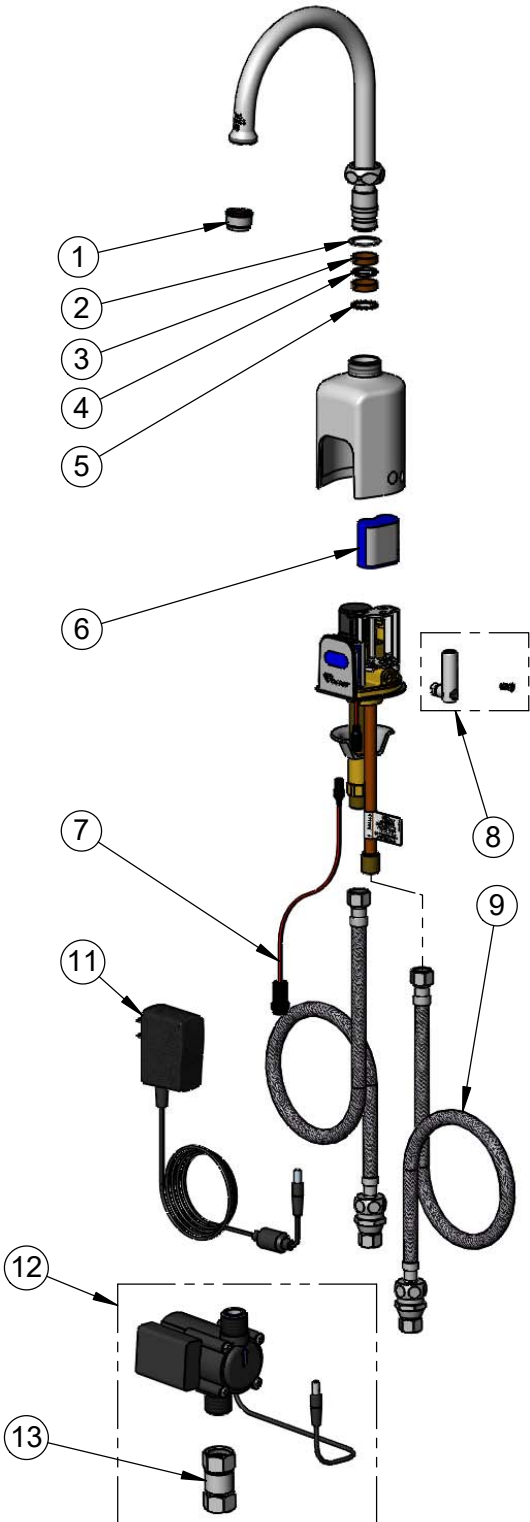
Model No.

**EC-3130-LF22-HG**

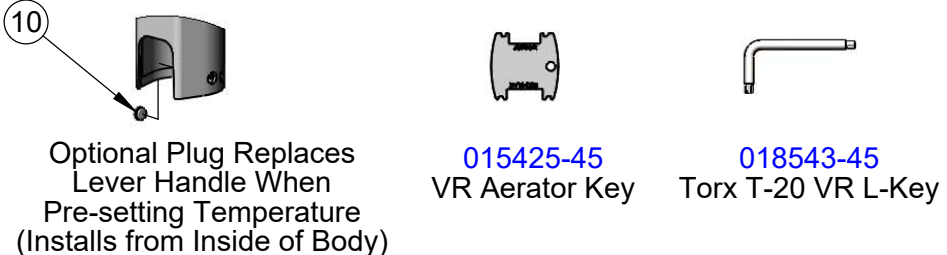
Item No.

Travelers Rest, SC: 800-476-4103 • Simi Valley, CA: 800-423-0150 • Fax: 864-834-3518 • www.tsbrass.com

ITEM NO.	SALES NO.	DESCRIPTION
1	<a href="#">B-0199-21-VRF</a>	VR 2.2 GPM Laminar Flow Device, 55/64-27 UN Female w/ Key
2	<a href="#">009538-45</a>	Swivel Washer
3	<a href="#">011429-45</a>	Swivel Sleeves (2)
4	<a href="#">001074-45</a>	O-Ring
5	<a href="#">014200-45</a>	Star Washer, Anti-Rotation
6	<a href="#">019087-45</a>	6VDC Lithium Battery, CR-P2
7	<a href="#">019088-45</a>	Auxiliary Power Connector Cable
8	<a href="#">019082-45</a>	Lever & Body Screw Kit w/ L-Key
9	<a href="#">018544-45</a>	19" Flexible Stainless Steel Hose w/ Check Valve Adapter
10	<a href="#">019086-45</a>	Body Plug, Pre-Set Temperature
11	<a href="#">5EF-0002</a>	AC Transformer
12	<a href="#">EC-HYDROGEN</a>	Hydro-Generator and Swivel Coupling
13	<a href="#">017506-45</a>	1/2" NPSM Swivel Coupling



A maximum of (8) ChekPoint faucets can be powered by [EC-HARDWIRE](#) ChekPoint Hardwire AC Transformer when connected using [EC-ADEWIRE](#) cables. (Both sold separately)



Flow Control Switches are Located Behind the Sensor.  
Remove Battery to Access Switches.  
\* Switches are set to DEFAULT position:  
- Auto Time Out = 15 seconds  
- Shut Off Delay = 1 second  
- Auto Flush = OFF

\* Available Water Flow Control Selections:  
- Auto Time Out: 15 sec, 30 sec, 45 sec, 60 sec, 3 min, 20 min  
- Shut Off Delay: 1 sec, 10 sec, 15 sec, 30 sec  
- Auto Flush (30 Seconds After Every 12 Inactive Hours): ON or OFF

**Product Specifications:**  
Chrome Plated Brass Above Deck Electronics Faucet, Single Hole Deck Mount, Swivel Gooseneck w/ VR 2.2 GPM Laminar Flow Device, Point-of-Use Temperature Control, Battery or AC Adapter Powered, 19" Flexible Stainless Steel Supply Hoses w/ 3/8" Compression Fittings & Hydro-Generator

**Product Compliance:**  
ASME A112.18.1 / CSA B125.1  
NSF 61 - Section 9  
NSF 372 (Low Lead Content)  
ANSI A117.1 (ADA)  
UL 1951